

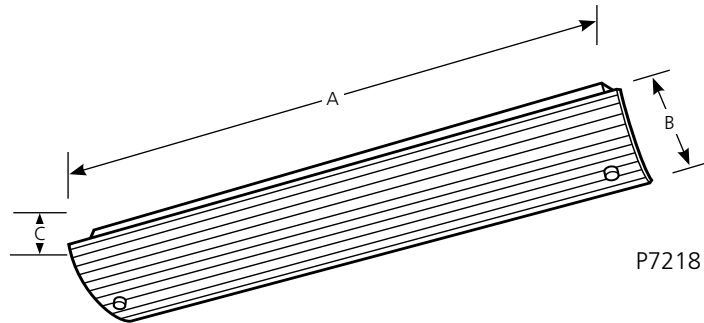


Type \_\_\_\_\_  
-09EB

P7218

P7221

Catalog No.	Finish		Lamping	Dimensions (Inches)		
	Brushed Nickel			A	B	C
P7218	-09EB		2-17w T8 bi-pin	25	4	6-1/4
P7221	-09EB		2-32w T8 bi-pin	49	4	6-1/4



**Specifications:**

General

- Etched ribbed glass diffuser
- Plated Brushed Nickel (-09EB) finish
- Steel construction
- Uses T8 lamps for electronic ballasts

Electrical

- Bi-pin base lamp holders
- 120V NPF electronic ballast
- Pre-wired

Mounting

- Wall horizontal or vertical mount
- Back plate covers a standard 4" hexagonal recessed outlet box
- Mounting bracket for outlet box included

Labeling

- UL-CUL Damp location listed