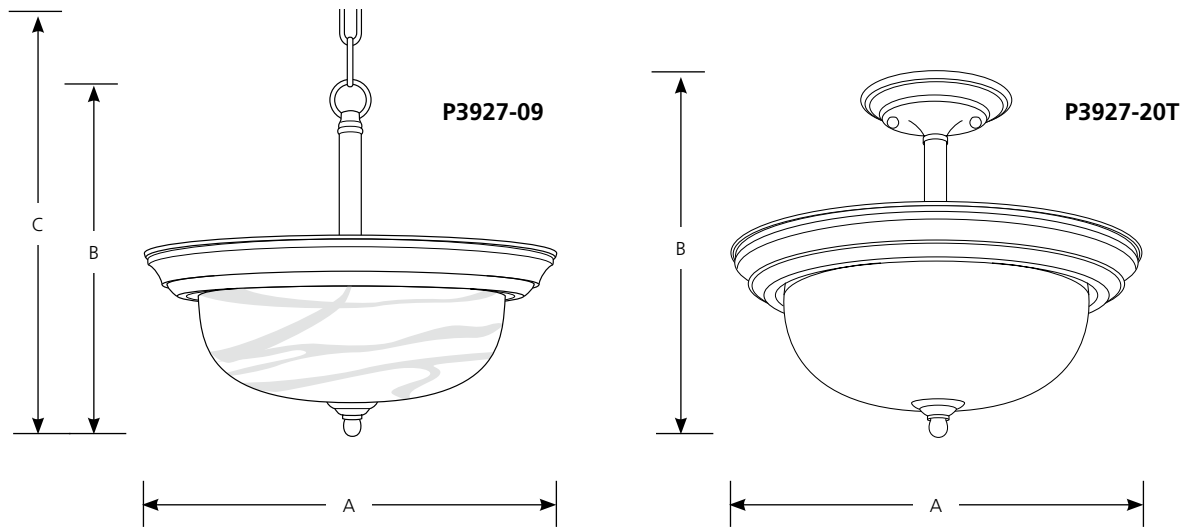


Type \_\_\_\_\_  
 -09 -20 -20T -30  
 P3927

Catalog No.	Finish				Lamping	Dimensions (Inches)			
	Brushed Nickel	Antique Bronze	Bronze w/ Topaz glass	White		A	B	C	
P3927	-09	-20	-20T	-30	2 (m)	100w	13-1/4	11-3/8	50



**Specifications:**

General

- Dome shaped glass with solid trim and decorative knobs
- Center lock up with matching finial
- Flared ceiling pan
- Brushed Nickel (-09) is plated, Antique Bronze (-20/-20T) and white (-30) are hand painted finishes
- Steel construction

Mounting

- Ceiling mount
- Ceiling pan covers a standard 4" recessed octagonal outlet box
- Mounting strap for outlet box included

Electrical

- Pre-wired
- Medium based ceramic sockets

Labeling

- UL-CUL dry location listed



Compact Fluorescent

Alabaster Glass

Close to Ceiling

Energy Star

Type \_\_\_\_\_

-09EBWB -20EBWB -20TEBWB -30EBWB  
 P3927

**Finish**

**Antique**

**Brushed Nickel Antique Bronze w/**

**Dimensions (Inches)**

**Catalog No.**

**Nickel**

**Bronze**

**Topaz glass**

**White**

**Lamping**

**A B C**

P3927

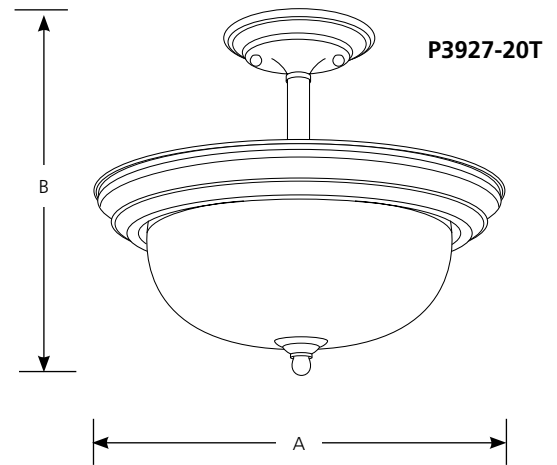
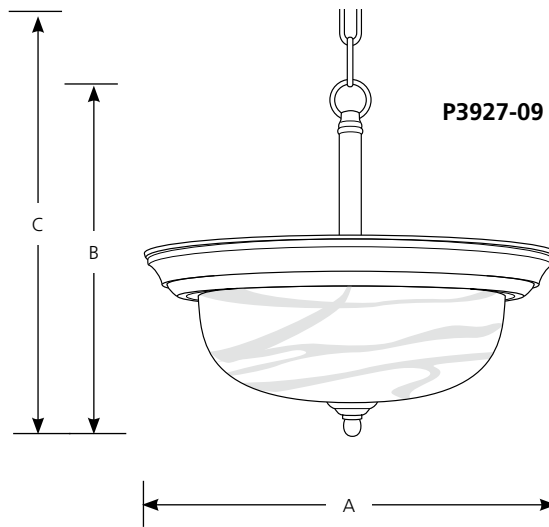
-09EBWB

-20EBWB

-20TEBWB

-30EBWB 2-18w CFL

13-1/4 11-3/8 50



**Specifications:**

General

- Dome shaped glass with solid trim and decorative knobs
- Center lock up with matching finial
- Flared ceiling pan
- Brushed Nickel (-09) is plated, Antique Bronze (-20/-20T) and white (-30) are hand painted finishes
- Steel construction

Electrical

- Pre-wired
- GU24 based sockets
- Energy Star certified

Labeling

- cCSAus dry location listed

Mounting

- Ceiling mount
- Ceiling pan covers a standard 4" recessed octagonal outlet box
- Mounting strap for outlet box included



Progress Lighting  
 701 Millennium Blvd.  
 Greenville, South Carolina  
 29607

www.progresslighting.com

Rev. 1/11