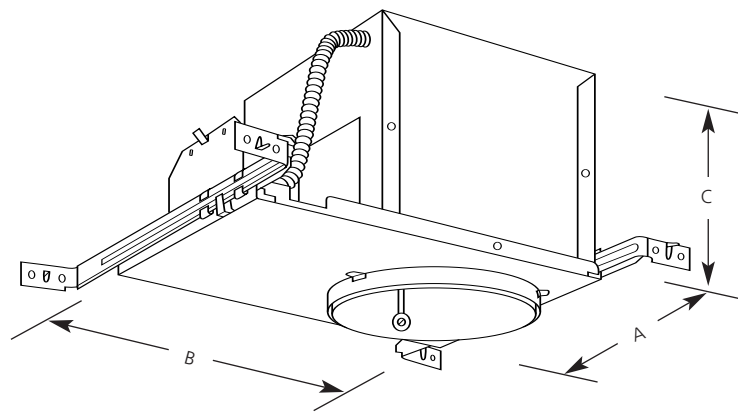


Type \_\_\_\_\_  
P821-AT

Catalog No.	Lamping	Dimensions (Inches)		
		A	B	C
P821-AT	See Trim Specifications	8-3/8	13	7-1/2 Ceiling Opening 6-7/8



**Specifications:**

Wiring

- Universal J-box with snap-out sides
- 1/2" & 3/4" Knock outs for rigid conduit or BX fittings
- Grounding pigtail
- Knock out free integral Romex clamps
- Access door in housing for field inspection of wiring

Construction

- Adjustment for ceiling thickness from 1/2" to 2"
- Steel outer housing
- For new construction applications
- Notched housing for chalkline alignment
- Overspray protection
- Socket can be used as a work light
- Porcelain socket with nickel-plated brass screw shell
- Fits into 2X8 construction

Bar Hangers

- Integral nailers for wood joist construction
- Integral T-Bar mounting clamps
- Span 24" for T-Bar spacing
- Lock in position to secure housing

Labeling

- IC rated
- Complies with Washing State Energy Code (WSEC) requirement for air tight
- UL-CUL listed for damp location and through branch wiring

Lamp/Trim

- Socket mounts to trim for optimum performance and consistent lamp position
- Trim-Lok® action forces trim to fit snugly against the ceiling

Progress Lighting  
Post Office Box 6701  
Greenville, South Carolina 29606

www.progresslighting.com

Patent# 5,857,766

Rev. 6/07