



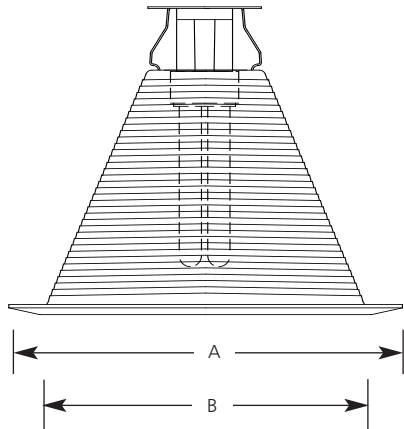
Compact Fluorescent

**6" Step Baffle
Single Vertical Lamp
IC & Non-IC**

Recessed

Type _____
 -09 -14 -28 -31 -36 -20
 P8066

Catalog No.	Finish						Dimensions (Inches)	
	Brushed Nickel	Brushed Copper	White	Black	Chestnut	Antique Bronze	A	B
P8066	-09	-14	-28	-31	-36	-20	7-3/4	6-11/32



Lamp Wattage

Housing	IC	Non-IC
P83-AT	13w 4-pin Quad/Triple-tube CF	13w 4-pin Quad/Triple-tube CF
P83-ICAT	13w 4-pin Quad/Triple-tube CF	13w 4-pin Quad/Triple-tube CF
P88-ICAT	18w 4-pin Quad/Triple-tube CF	18w 4-pin Quad/Triple-tube CF
P183-EB	13w 4-pin Triple-tube CF	13w 4-pin Triple-tube CF
P83-26ICAT	26w 4-pin Triple-tube CF	26w 4-pin Triple-tube CF
P62-FB	N/A	26 or 32w 4-pin Triple-tube CF

Specifications:

Flange

- Bright white powdered painted metal flange
- Integral to trim
- No light leaks around trim flange
- Covers irregular ceiling openings
- Nickel and Copper flange is brushed in same finish
- Flange on Chestnut and Antique matches interior finish

Lamps

- Maximum overall length of lamp cannot exceed 5.5" (5-1/2")
- Available are: GE -F26TBX, Phillips PLT26, Sylvania CF26 or 32DT, or Progress 7808-01 (26w)

Labels

- UL-CUL damp location listed

Trim

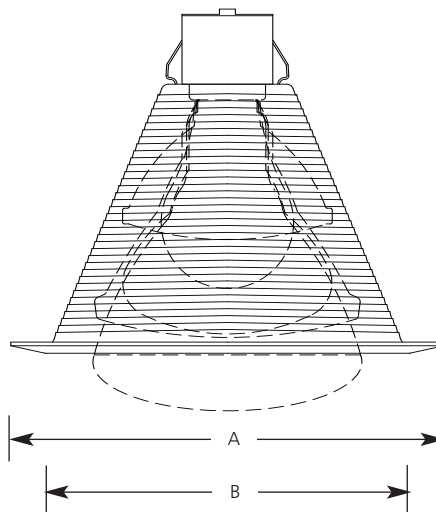
- One-piece aluminum construction
- White and Black finishes are powder coated
- Nickel and Copper finishes are anti-iridescent anodized
- Trim-Lok action forces trim to fit snugly against the ceiling
- Socket mounts to trim for optimum performance and consistent lamp position
- Multi-groove baffle

Progress Lighting
 Post Office Box 5704
 Spartanburg, South Carolina
 29304-5704

www.progresslighting.com
 Patent# 5,758,979, 5,758,980

Type _____
 -09 -14 -28 -31 -36 -20
 P8066

Catalog No.	Finish					Antique Bronze	Dimensions (Inches)	
	Brushed Nickel	Brushed Copper	White	Black	Chestnut		A	B
P8066	-09	-14	-28	-31	-36	-20	7-3/4	6-11/32



Lamp Wattage

Housing	IC	Non-IC
P87-AT	75PAR30/65BR30	120BR40/150PAR38/40A19
P87-ATQC	75PAR30/65BR30	120BR40/150PAR38/40A19
P187-TG	75PAR30/65BR30	120BR40/150PAR38/40A19
P821-AT	120BR40/150PAR38/100A19	120BR40/150PAR38/100A19
P821-FB, P821-FBFC	N/A	150R40/150BR40/150PAR38/40A19

Specifications:

Flange

- Bright white powdered painted metal flange
- Integral to trim
- No light leaks around trim flange
- Covers irregular ceiling openings
- Nickel and Copper flange is brushed in same finish
- Flange on Chestnut and Antique matches interior finish

- Socket mounts to trim for optimum performance and consistent lamp position
- Multi-groove baffle
- White and black finishes are powder coated
- Nickel and Copper finishes are anti-iridescent anodized
- Can be used in 45° sloped ceilings with P87-AT, P87-ATQC, and P187-TG housings

Trim

- One-piece aluminum construction
- Trim-Lok action forces trim to fit snugly against the ceiling

Labels

- UL-CUL damp location listed