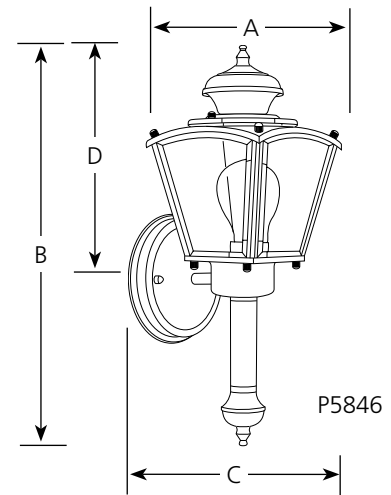
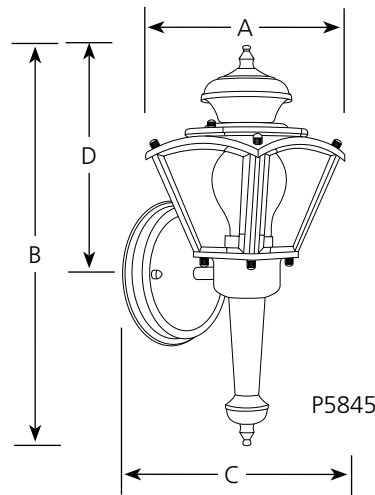


	Type _____			
	-09	-10	-11	-31
P5845		<input type="checkbox"/>		
P5846	<input type="checkbox"/>	<input type="checkbox"/>	<input type="checkbox"/>	<input type="checkbox"/>

**Finish**

Catalog No.	Finish				Lamping	Dimensions (Inches)			
	Brushed Nickel	Polished Brass	Weathered Brass	Black		A	B	C	D
P5845	na	-10	na	na	1 (m) 60w	4-3/4	13-1/8	5-1/2	7-1/4
P5846	-09	-10	-11	-31	1 (m) 60w	5-1/4	14-3/4	6	8-3/8



**Specifications:**

General

- Clear beveled glass:  
For P5845 - 4-1/4" W x 4" ht.  
For P5846 - 4-3/4" W x 2-3/4" ht.
- Coach style
- Brushed Nickel (-09) and Polished Brass (-10) and Weathered Brass (-11) are plated finishes
- Black (-31) is a painted finish
- Solid brass construction
- Brass guard finish coat
- Clear gasket preinstalled on back plate to isolate it from wall for tarnish protection
- Remove top of unit for lamp replacement
- Matching post top and chain hung units available

Mounting

- Wall mount
- Back plate covers a standard recessed octagonal 4" outlet box
- Outlet box mounting strap provided
- Back plate is 4-7/8" dia

Electrical

- Pre-wired
- Ceramic medium based sockets

Labeling

- UL-CUL wet location listed