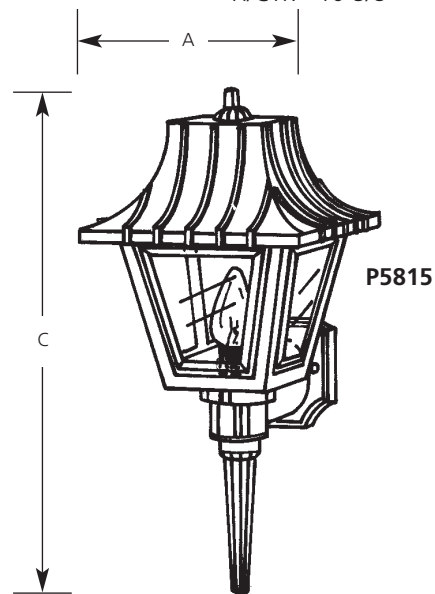
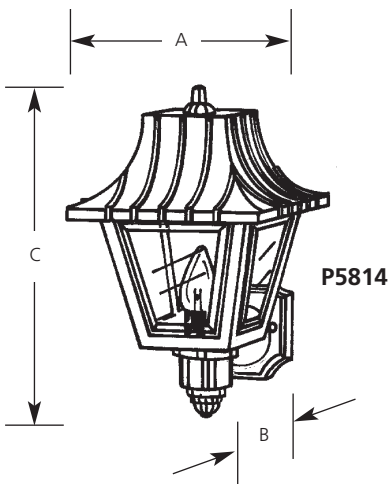


	Type _____	
	-30	-31
P5814	<input type="checkbox"/>	<input type="checkbox"/>
P5815	<input type="checkbox"/>	<input type="checkbox"/>

Catalog No.	Finish		Lamping	Dimensions (Inches)		
	White	Black		A	B	C
P5814	-30	-31	1-60w A19	8	8-1/4	12-3/4
P5815	-30	-31	1-60w A19	8	8-1/4	17

H/CTR - 10-5/8"



**Specifications:**

General

- Wall lantern - Mansard roof style
- White or Black finish
- Polypropylene construction
- Clear beveled acrylic panels: 5.28" ht., 5-5/16" top width, 3-1/8" bottom width
- Lamp replacement - Captive top hinges open
- Matching post top unit available

Mounting

- Wall mounted
- Covers standard junction box
- Mounting strap for outlet box and cap nuts provided
- Back plate - 4-1/2" W., 4-3/4" ht.

Electrical

- Medium based sockets are phenolic with brass screw shell

Labeling

- UL-CUL wet location listed