



Halogen

Pagoda

Landscape

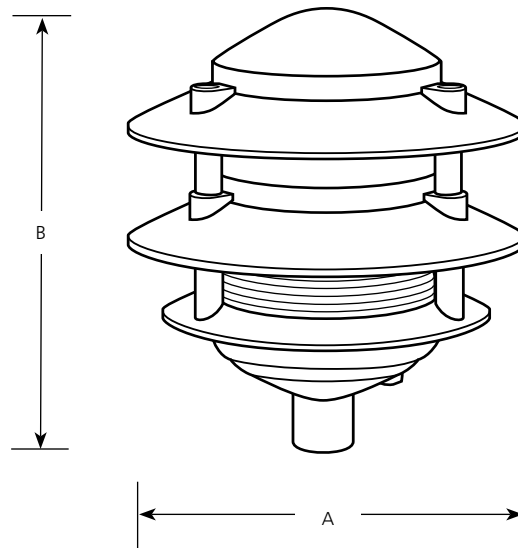
Type _____

-31

P5219

Finish

Catalog No.	Black	Lamping	Dimensions (Inches)	
			A	B
P5219	-31	1 T5 wedge base 18w (included)	6	7-1/8



Specifications:

General

- Clear inside glass shade
- Painted Black (-31) finish
- Die-cast aluminum
- Pagoda three tier style
- 18w T5 wedge base lamp (included)
- Lamp replacement by removing the roof

Electrical

- Wedge base socket
- 36" of wire supplied
- Pre-wired
- Connector (P8651-31R) included
- Units must be wired to approved 12V transformer of proper capacity

Mounting

- 1/2" NPS thread mount
- Mounts on stem, or box (order separately)
- Stake P8618-31 (included)

Labeling

- UL-CUL Wet location listed

Progress Lighting
 701 Millennium Blvd.
 Greenville, South Carolina
 29607

www.progresslighting.com

Rev. 02/14