



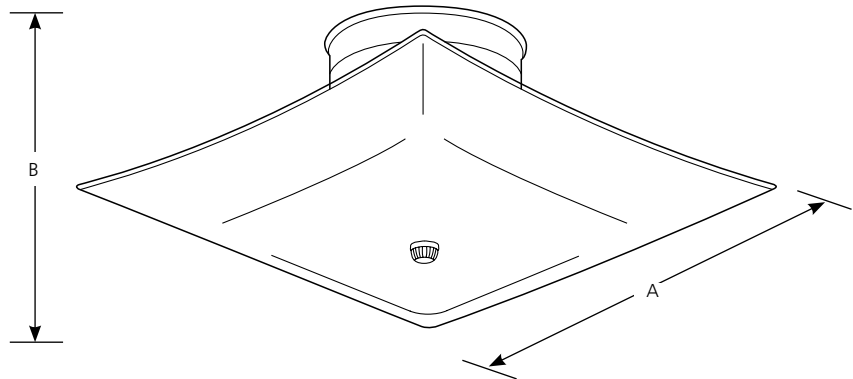
Incandescent

White Square

Close-to-Ceiling

Type \_\_\_\_\_  
-30  
P4961

Catalog No.	Finish White	Lamping	Dimensions (Inches)	
			A	B
P4961	-30	2 (m) 60w	12	5-1/2



**Specifications:**

General

- White square bent glass shade
- The glass shade is set off the ceiling to provide generous up lighting
- White painted finish on canopy
- Steel construction

Electrical

- Medium based phenolic socket
- Pre-wired

Labeling

- UL-CUL Dry Location listed

Mounting

- Ceiling mount
- Covers outlet box
- Mounting strap for outlet box included
- Canopy is 4-3/8" diameter

Progress Lighting  
701 Millennium Blvd.  
Greenville, South Carolina  
29607

www.progresslighting.com

Rev. 4/11

