



Incandescent

**Scalloped Edge  
Ceiling Mount**

Outdoor

Type \_\_\_\_\_

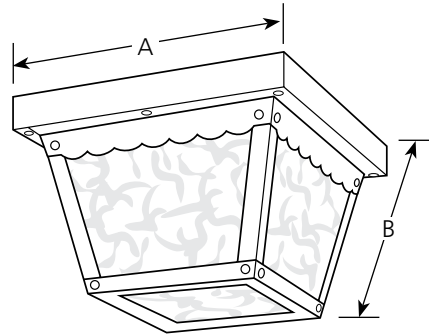
-20 -31

P5727

**Finish**

**Dimensions (Inches)**

Catalog No.	Finish		Lamping	Dimensions (Inches)	
	Antique Bronze	Black		A	B
P5727	-20	-31	1-60w A19	7-1/2	5



**Specifications:**

General

- White full galvanized steel back plate
- Textured glass panels
- Panels held into outer cage which attaches with two thumb screws
- Outer cage - Powder coated finish on steel

Mounting

- Ceiling mount
- Covers any outlet box
- Outlet box mounting strap provided for center lock up mounting

Electrical

- Medium base porcelain sockets with nickel plated brass screw shell

Labeling

- UL-CUL damp location listed

Progress Lighting  
701 Millennium Blvd.  
Greenville, South Carolina  
29607

www.progresslighting.com