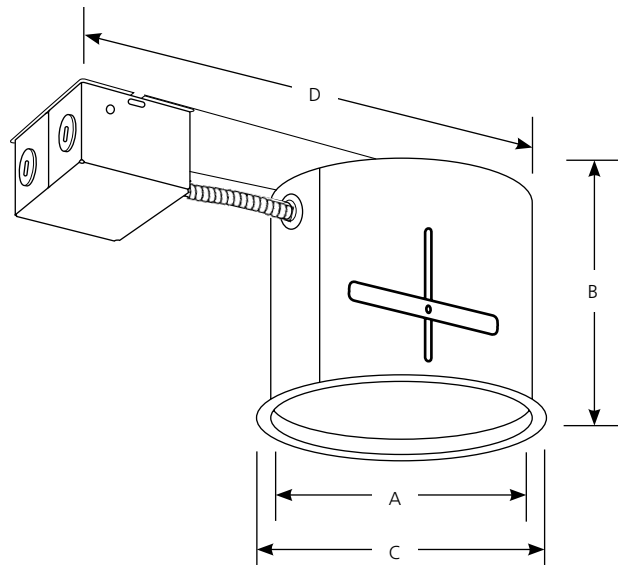


Type _____

P186-TG

| Catalog No. | Lamping | Dimensions (Inches) | | | |
|-------------|-------------------------|-----------------------|-------|-------|--------|
| | | A | B | C | D |
| P186-TG | See Trim Specifications | 6-1/2 | 5-1/2 | 7-1/8 | 15-1/2 |
| | | Ceiling Opening 6-5/8 | | | |



Specifications:

Wiring

- Grounding pigtail
- 1/2" Knock outs

Construction

- Shallow housing for 2X6 construction
- Housing adjusts from 1/2" to 1" thick ceilings
- Galvanized steel construction
- Porcelain socket with nickel-plated brass screw shell
- Notched housing for chalkline alignment
- Overspray protection
- Socket can be used as a temporary work light with an 'A' lamp
- Adjustable slide bars lock unit securely to ceiling

Labeling

- UL-CUL listed for damp locations and through wiring (2in, 2out, 12ga.)
- IC and Non-IC rated
- Approved for use in New York city per calendar #40330

Lamp/Trim

- Socket mounts to trim for optimum performance and consistent lamp position
- Trim-Lok® action forces trim to fit snugly against the ceiling