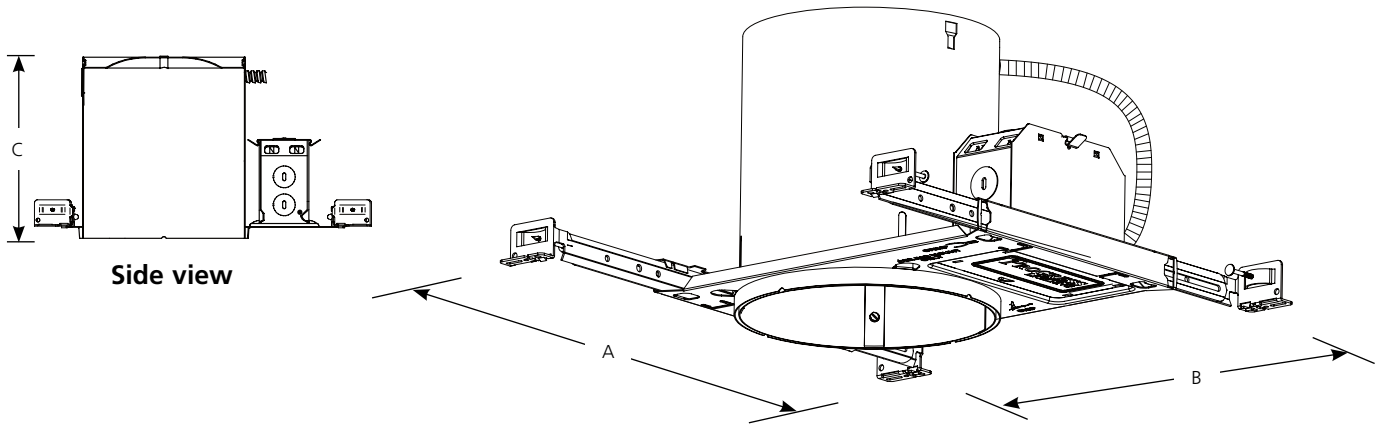


Type _____

P87-AT

Catalog No.	Lamping	Dimensions (Inches)		
		A	B	C
P87-AT	See Trim Specifications	7-7/8	10-3/4	7-1/4
		Ceiling Opening 6-7/8		



Specifications:

Wiring

- Universal junction box with snap-out sides
- Removable housing for field inspection of wiring
- Grounding pigtail
- Knockout free Romex clamps
- 1/2" & 3/4" Knock outs for rigid or BX fittings

Construction

- Housing adjusts for ceiling thickness from 1/2" to 1-1/2" thick
- Full wrap-around plaster frame
- Removable K.O. for remodel use (P8607-01 plaster frame clips also required)
- Galvanized steel construction
- Porcelain socket with nickel-plated brass screw shell
- Notched housing for chalkline alignment
- Overspray protection
- Socket can be used as a temporary work light with 'A' lamp

Bar Hangers

- Integral nail for wood joist construction
- Integral T-bar mounting clamps
- Spans 24" T-bar suspended ceilings
- Lock to secure housing
- Captive with joist alignment tabs
- 90-degree mounting for tight spaces

Labeling

- IC and Non-IC rated
- Performance tested to ASTM E283 Air Tight requirements, including IECC, CA Title 24 and Washington State Energy Codes
- UL-CUL listed for damp location and through branch wiring
- Approved for use in New York City per calendar #40330.

Lamp/Trim

- Socket mounts to trim for optimum performance and consistent lamp position
- Trim-Lok® action forces trim to fit snugly against the ceiling

Progress Lighting
 701 Millennium Blvd.
 Greenville, South Carolina
 29607

www.progresslighting.com
 Patent# 5758959