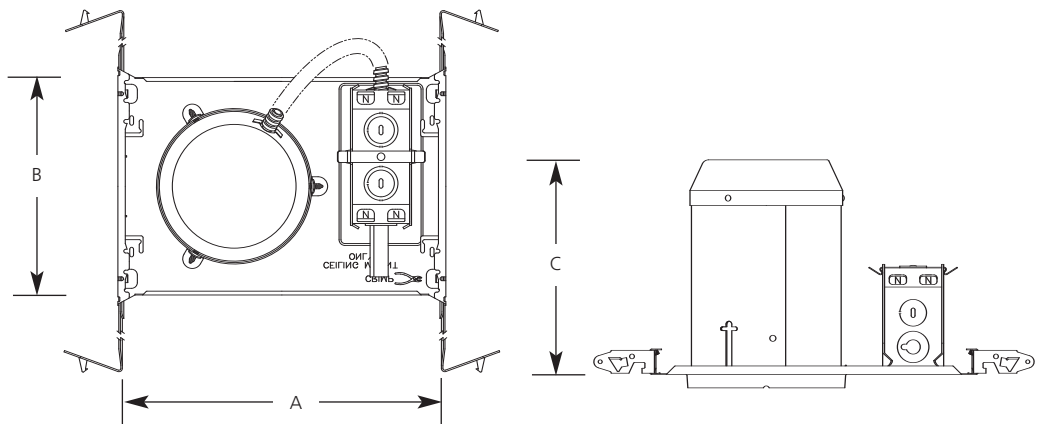


Type _____
P85-TG

Catalog No.	Lamping	Dimensions (Inches)		
		A	B	C
P85-TG	See Trim Specifications	7-7/8	10-3/4	7-1/2 Ceiling Opening 5-1/4



Specifications:

Wiring

- Universal junction box with snap-out sides
- Removable housing for field inspection of wiring
- Grounding pigtail
- Knockout free Romex clamps
- 1/2" & 3/4" Knock outs for rigid or BX fittings

Construction

- Housing adjusts from 1/2" to 2" for thick ceilings
- Full wrap-around plaster frame
- Galvanized steel construction
- Porcelain socket with nickel-plated brass screw shell
- Notched housing for chalkline alignment
- Overspray protection
- Socket can be used as a temporary work light with 'A' lamp

Bar Hangers

- Integral nailers for wood joist construction
- Integral T-bar mounting clamps
- Inter-connected to securely span 24" spacing
- Lock to secure housing
- Captive
- 90-degree mounting for tight spaces

Labeling

- Non-IC rated
- UL-CUL listed for damp location and through branch wiring

Lamp/Trim

- Socket mounts to trim for optimum performance and consistent lamp position
- Positive upward spring action forces trim to fit snugly against the ceiling