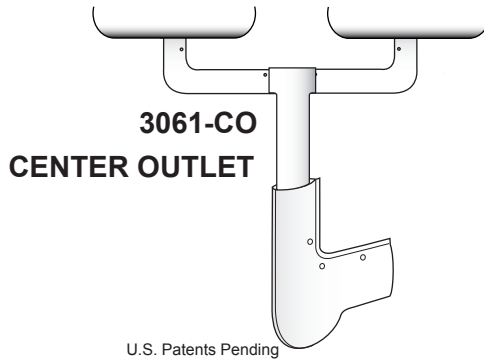
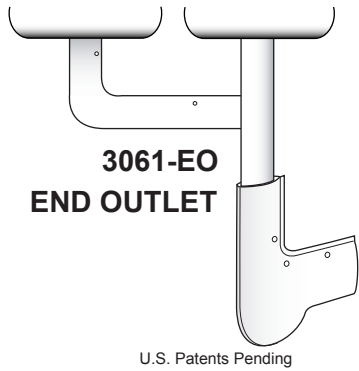


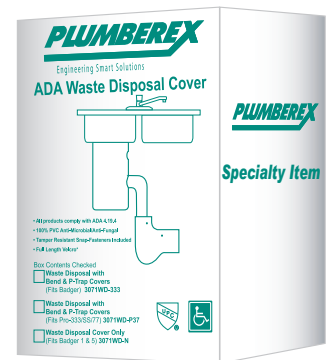
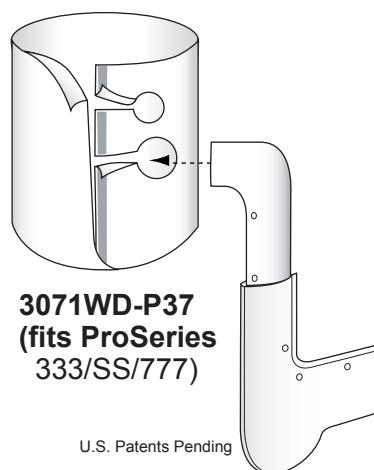
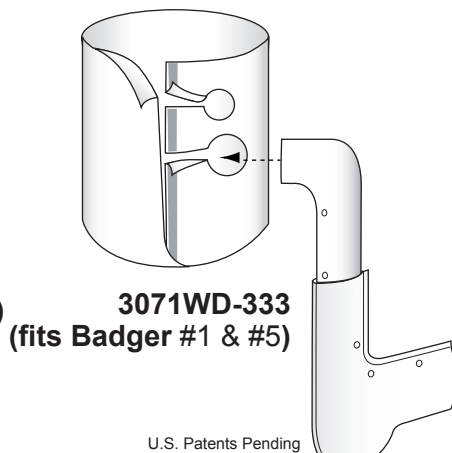
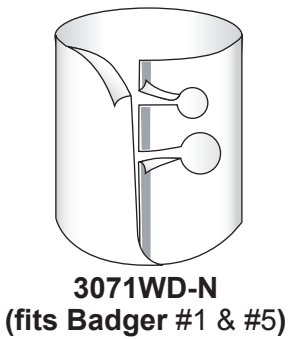
ADA Specialty Items



ADA Kitchen Sink 2 Part Waste Insulators



ADA Kitchen Disposal/Waste Piping Insulators



ADA Individual Specialty Items



ADA Specialty Products



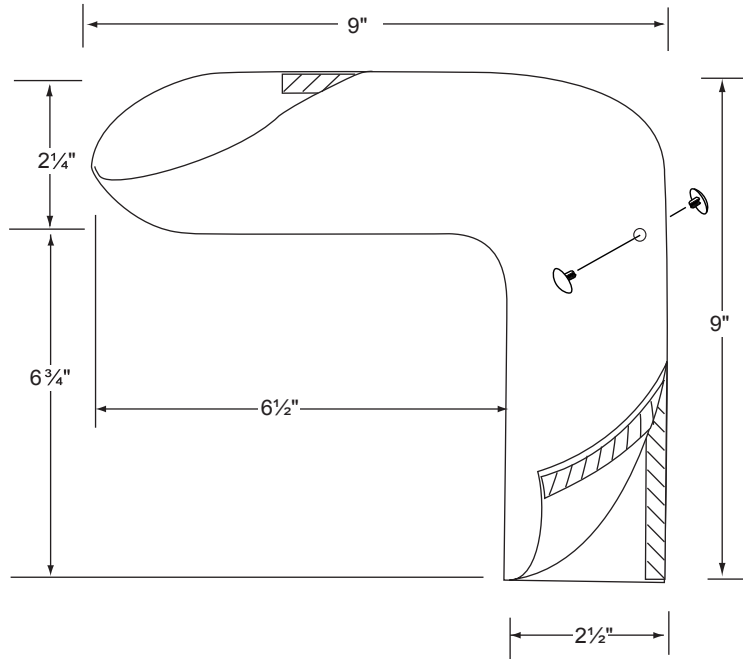
ADA
Compliant for Americans
with Disabilities Act
and IAPMO Listed



SUBMITTAL SHEET

PROJECT	
DWG #	
ITEM #	

Lavatory Offset Tail Piece Cover (Standard)



SUGGESTED SPECIFICATION

Insulate hot and cold domestic water piping, waste piping, and other components below ADA plumbing fixtures with IAPMO/UPC listed, one piece, molded removable 1/8" thick PVC vinyl with a smooth soft and pliable texture. Insulation shall conform to International Building Code (IBC) with testing standard of ASTM E84-07 Class A Material (25 Flame/450 Smoke) criteria. Protectors shall consist of a dual fastening system of full length *VelcroFastening Strips and tamper resistant self-locking snap fasteners.. Protectors shall consist of a dual fastening system of full length *Velcro Fastening Strips and tamper resistant self-locking snap fasteners.

Manufacturer: Plumberex Specialty Products Inc.

brand and shall consist of all the above listed components and features.

*Velcro is a registered trademark of Velcro USA Inc.

PRODUCT DETAIL:

Protectors shall have a 1 1/4" brass fit. Surfaces shall have a non-abrasive, non-absorbent easy to clean U/V inhibited, antimicrobial, and antifungal properties. Install to comply with ADA 4.19.4 for exposed offsets under lavatory plumbing fixtures.

PART NUMBER BY PRODUCT

MODEL # 3041-M White
Lavatory Offset Tailpiece Cover
(Standard)

Available color options:

White	Gray	Almond	Black

