

READ AND UNDERSTAND THESE INSTRUCTIONS BEFORE INSTALLING FIXTURE

This fixture is intended for installation in accordance with the National Electrical Code and local regulations. To assure full compliance with local codes and regulations, check with your local electrical inspector before installation. To prevent electrical shock, turn off electricity at fuse box before proceeding.

Retain these instructions for maintenance reference.

INSTRUCTION SHEET NO.

IS:1170

A0997 Page 1 of 2

INSTALLATION OF 7•11 REFLECTOR TRIM

NOTE: Use this Instruction Sheet only when Lytecaster Reflector Trim is being installed in the Lightolier 1100 series Frame-In Kits. If not, disregard this Instruction Sheet. It is recommended you maintain a copy of the following instructions for reference.

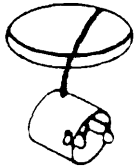


Fig. A
INSTALL FRAME-IN KIT

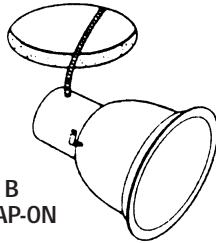


Fig. B
SNAP-ON

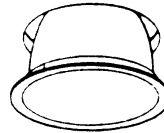


Fig. C
PUSH-UP



Fig. D
EYEBALL

WARNING: BEFORE INSTALLING REFLECTOR TO FRAME-IN KIT, READ MARKINGS IN REFLECTOR TRIM AND IN SOCKET CUP OF FRAME-IN KIT TO DETERMINE LAMP WATTAGE AND TYPE APPLICABLE FOR YOUR INSTALLATION. IF I.C. TYPE FRAMING KIT IS USED, IT MAY BE INSTALLED IN DIRECT CONTACT WITH INSULATED CEILING. IF A NON I.C. TYPE FRAME-IN KIT IS USED, DO NOT INSTALL INSULATION WITHIN 3 INCHES OF FIXTURE SIDES OR WIRING COMPARTMENT, NOR ABOVE FIXTURE IN SUCH A MANNER TO ENTRAP HEAT. FOR I.C. TYPE INSTALLATION ONLY: ASSEMBLE SOCKET CUP IN UPPER SLOT POSITION FOR REFLECTOR TRIMS WITH DUAL SLOT POSITIONS. (FIG. B)

1. INSTALL FRAME-IN KIT (Fig. A)

See FRAME-IN KIT Instruction Sheet for installation procedure.

2. SNAP-ON (Fig. B)

Insert SOCKET CUP in neck of REFLECTOR. Make sure SPRINGS of SOCKET CUP snap into SLOTS of REFLECTOR.

3. PUSH UP (Fig. C)

a. Rotate ROTO-CLIPS, if so equipped, for proper REFLECTOR TRIM size. For 7•11 (white reflectors 1170 Series and 1180 Series) the LONGER LEGS should extend inwardly toward the opening.

Note: The LONGER LEG has a return on top (Fig. E)

b. Push REFLECTOR TRIM straight up until it is right against ceiling.

Note: To remove REFLECTOR TRIM, turn REFLECTOR TRIM counterclockwise while pulling downward. When using 1104 Series Frame-In Kits, squeeze REFLECTOR SPRING from inside until the TRIM disengages. To retrieve SOCKET CUP, pull on one of the SOCKET SPRING legs to disengage. (Fig. F)

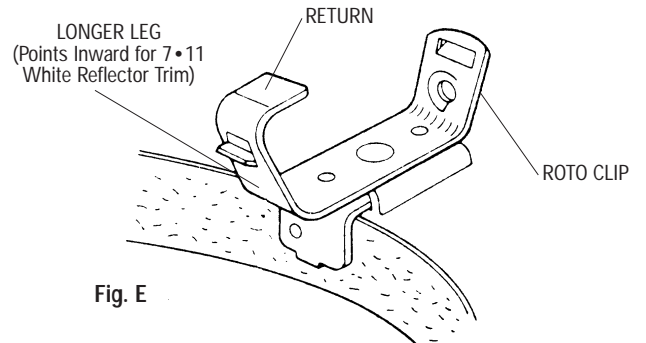


Fig. E

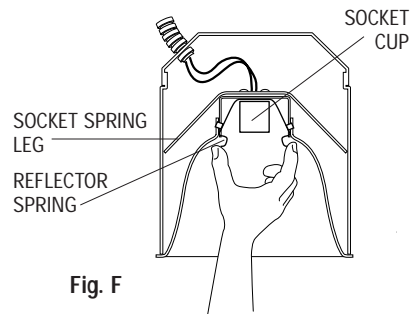


Fig. F

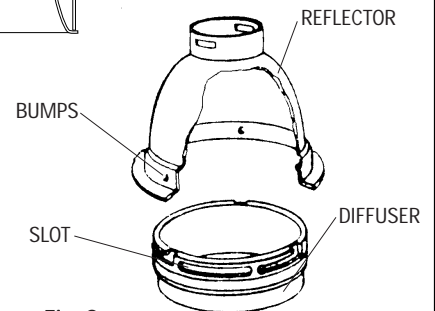


Fig. G

DROPPED OPALEX INSTALLATION PROCEDURE (1178, 1180) (Fig. G)

1. Before installing TRIM into Frame-In Kit, remove Lexan DIFFUSER by rotating DIFFUSER counterclockwise.
2. Follow instructions 2 and 3 above.
3. Lamp fixture with recommended wattage and bulb type.
4. Replace DIFFUSER by aligning the (3) SLOTS in DIFFUSER with the (3) BUMPS in the REFLECTOR, push up and turn clockwise.

LIGHTOLIER®

LIGHTOLIER a GENLYTE company.

631 Airport Road, Fall River, MA 02720

READ AND UNDERSTAND THESE INSTRUCTIONS BEFORE INSTALLING FIXTURE

This fixture is intended for installation in accordance with the National Electrical Code and local regulations. To assure full compliance with local codes and regulations, check with your local electrical inspector before installation. To prevent electrical shock, turn off electricity at fuse box before proceeding.

Retain these instructions for maintenance reference.

INSTRUCTION SHEET NO.

IS:1170

A0997 Page 2 of 2

EYEBALL ACCENTLITE

1. SCREW-IN (Fig. H)

Screw SOCKET EXTENSION (male adapter) into SOCKET.

Note: Let EYEBALL HOUSING rotate freely.

2. SNAP-ON (Fig. B)

Insert SOCKET CUP in neck of EYEBALL HOUSING. Make sure SPRINGS of SOCKET CUP snap into SLOTS of EYEBALL HOUSING.

3. PUSH UP (Fig. C)

- Rotate ROTO-CLIPS for proper REFLECTOR TRIM size. For 7•11 (white reflectors 1170 Series and 1180 Series) the LONGER LEGS should extend inwardly toward the opening.
Note: The LONGER LEG has a return on top (Fig. E)
- Push EYEBALL HOUSING straight up until it is right against ceiling.

Note: To remove EYEBALL portion of FIXTURE, pull down while twisting, then disconnect the SOCKET EXTENSION.

Note: To remove EYEBALL HOUSING, turn EYEBALL HOUSING counterclockwise while pulling downward. To remove EYEBALL HOUSING from 1104 Series Frame-In Kits refer to Step 4 (Push-Up).

NOTE: To replace push EYEBALL HOUSING back into ceiling and connect the SOCKET EXTENSION into SLOT on top of EYEBALL. Insert one SPRING CATCH in EYEBALL into groove on bottom of HOUSING. Collapse SPRING CATCH on opposite side, push up and release, allowing second SPRING CATCH to snap into groove in EYEBALL HOUSING.

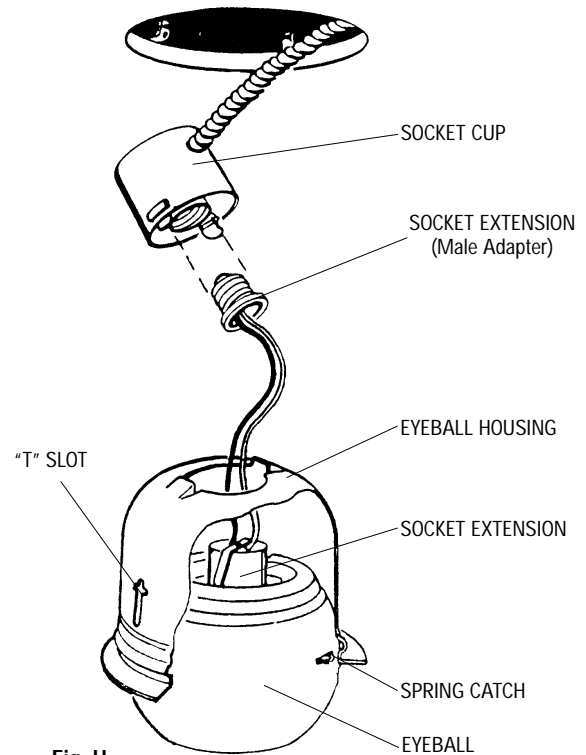


Fig. H

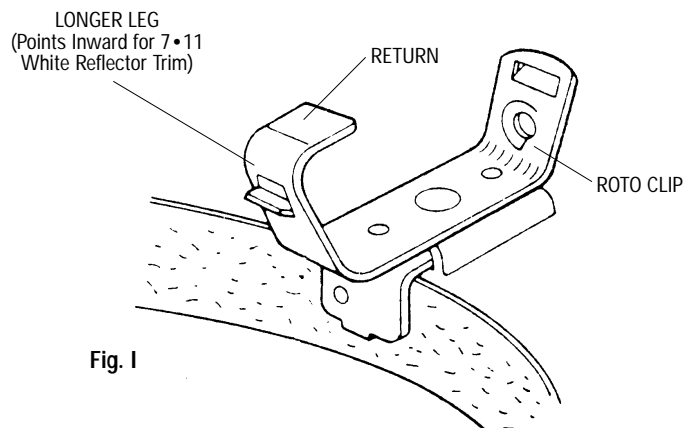


Fig. I

WARNING: USE ONLY REFLECTOR TRIMS PROVIDED BY LIGHTOLIER INC. USE OF OTHER MANUFACTURERS' REFLECTOR TRIMS VOIDS THE UNDERWRITERS LABORATORIES LISTING AND COULD CONSTITUTE A FIRE HAZARD.

LIGHTOLIER®

LIGHTOLIER a GENLYTE company.

631 Airport Road, Fall River, MA 02720