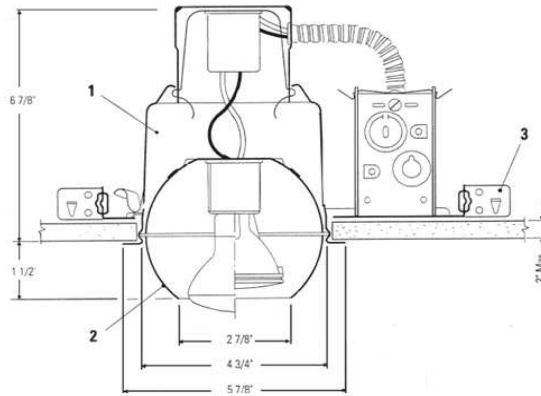


5-1/4" Aperture Basic Eyeball  
Ceiling Opening: 5-1/4" (133mm)



Complete fixture consists of Reflector Trim & Frame-in Kit. Select each separately

Reflector Trim	Frame-in Kit		Lamp	
<b>1082</b>	<b>1002</b>	Frame Non-IC	75W R20	50W PAR20
White	<b>1003RS</b>	Remodeler Ring Non-IC	75W R20	50W PAR20
	<b>1000IC</b>	Frame IC	75W R20	50W PAR20
	<b>1004ICN</b>	Lytening Frame Non-IC	75W R20	50W PAR20
	<b>1004ICN</b>	Lytening Frame IC	75W R20	50W PAR20
	<b>1004ICRS</b>	Lytening Remodeler Non-IC	75W R20	50W PAR20
	<b>1004ICRS</b>	Lytening Remodeler IC	75W R20	50W PAR20
	<b>1004ICXN</b>	Lytening ICX Frame AirSeal®	75W R20	50W PAR20

## Features

**Housing** : Hydroformed aluminum, .032" thick. White trim flange.

**Eyeball Housing** : Die-formed, one piece, aluminum; provides 358° horizontal rotation and 0° to 40° vertical adjustment; white finish.

## Accessories

1957	Wide Flange Ring
1967B	2 in (51mm). Thick Ceiling Adaptor.

## Frame-in Kit

See Frame-In Kit specification sheets for more details.

## Finish

All painted finishes are baked powder or enamel.

## Markings

cULus listed, suitable for damp locations.

## Canlyte

3015 Louis-Amos, Lachine, Québec H8T 1C4 • (514) 636-0670 • (514) 636-0460

www.canlyte.com

## Job Information

## Type:

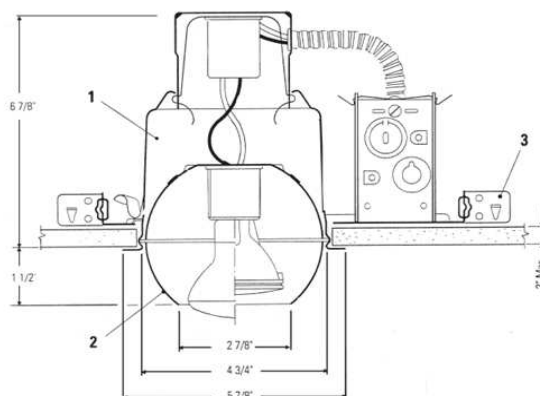
Job Name:

Cat. No.:

Lamp(s):

Notes:

**PHILIPS**  
**LIGHTOLIER®**



Le luminaire complet comprend la garniture et le cadre de montage : choisir chacun séparément.

Garniture	Cadre de montage		Lampe	
<b>1082</b>	<b>1002</b>	Cadre Non-IC	75W R20	50W PAR20
Blanc	<b>1003RS</b>	Anneau Rénovation Non-IC	75W R20	50W PAR20
	<b>1000IC</b>	Cadre IC	75W R20	50W PAR20
	<b>1004ICN</b>	Lytening Cadre Non-IC	75W R20	50W PAR20
	<b>1004ICN</b>	Lytening Cadre IC	75W R20	50W PAR20
	<b>1004ICRS</b>	Lytening Rénovation Non-IC	75W R20	50W PAR20
	<b>1004ICRS</b>	Lytening Rénovation IC	75W R20	50W PAR20
	<b>1004ICXN</b>	Lytening ICX Cadre AirSeal®	75W R20	50W PAR20

## Caractéristiques

**Boîtier:** Aluminium hydroformé, .032 po. d'épaisseur. Bordure blanche.

**Boîtier boule orientable:** Formé à la matrice, monop pièce, en aluminium.

Permet une rotation de 358° à l'horizontale et de 0° à 40° à la verticale, fini blanc.

## Accessoires

1957 Bordure large

1967B Kit de plafond de 2 po (51mm) max.

## Cadre de Montage

Pour les caractéristiques des cadres de montage, voir les fiches techniques appropriées.

## Fini

Tous les finis peints sont en poudre ou en émail cuit.

## Marquage

Homologué cULus ; convient aux endroits humides.

## Canlyte

3015 Louis-Amos, Lachine, Québec H8T 1C4 • (514) 636-0670 • (514) 636-0460

www.canlyte.com

Information Projet	Type:
<b>Nom Projet:</b>	
<b>No. Cat.:</b>	
<b>Lampe(s):</b>	
<b>Notes:</b>	

**PHILIPS**  
**LIGHTOLIER®**

**Lighting Performance Data**

	Narrow		Medium		Wide															
	50W PAR20 NSP (T-H)		50W PAR20 NFL (T-H)		30W R20 FL		50W R20 FL		75W R20 FL											
DISTANCE	0' 1' 2' 3' 4' 5' 6'																			
FOOTCANDLES (On Beam Center At 6')	128		35		8		15		23											
BEAM SPREAD (To 50% Max. CP)	12"		32"		35"		38"		46"											
MAX. CANDLEPOWER (Candelas)	4,600		1,250		300		530		825											
RATED LIFE (Hours)	2,000		2,000		2,000		2,000		2,000											
0° AIMING ANGLE Illumination on Horizontal Plane	D	FC	L	W	D	FC	L	W	D	FC	L	W	D	FC	L	W	D	FC	L	W
	6'	128	1.3'	1.3'	3'	139	1.7'	1.7'	2'	75	1.3'	1.3'	2'	133	1.4'	1.4'	2'	206	1.7'	1.7'
	8'	72	1.7'	1.7'	5'	50	2.9'	2.9'	3'	33	1.9'	1.9'	4'	33	2.8'	2.8'	4'	52	3.4'	3.4'
	10'	46	2.1'	2.1'	7'	26	4.0'	4.0'	4'	19	2.5'	2.5'	6'	15	4.1'	4.1'	6'	23	5.1'	5.1'
	12'	32	2.5'	2.5'	9'	15	5.2'	5.2'	5'	12	3.2'	3.2'	8'	8	5.5'	5.5'	8'	13	6.8'	6.8'
30° AIMING ANGLE Illumination on Horizontal Plane	D	FC	L	W	D	FC	L	W	D	FC	L	W	D	FC	L	W	D	FC	L	W
	5'	120	1.4'	1.2'	3'	90	2.4'	2.0'	2'	49	1.7'	1.5'	2'	86	1.9'	1.6'	2'	134	2.4'	2.0'
	7'	61	2.0'	1.7'	5'	32	3.9'	3.3'	3'	22	2.6'	2.2'	4'	22	3.8'	3.2'	4'	33	4.8'	3.9'
	9'	37	2.5'	2.2'	7'	17	5.5'	4.6'	4'	12	3.5'	2.9'	6'	10	5.7'	4.8'	6'	15	7.2'	5.9'
30° AIMING ANGLE Illumination on Vertical Plane	D	FC	L	W	D	FC	L	W	D	FC	L	W	D	FC	L	W	D	FC	L	W
	2'	144	1.7'	0.8'	1'	156	3.0'	1.1'	1'	38	3.6'	1.3'	1'	66	4.3'	1.4'	1'	103	7.4'	1.7'
	3'	64	2.5'	1.3'	2'	39	6.1'	2.3'	2'	9	7.2'	2.5'	2'	17	8.6'	2.8'	2'	26	14.8'	3.4'
	4'	36	3.5'	1.7'	3'	17	9.1'	3.4'	3'	4	10.8'	3.8'	3'	7	12.8'	4.1'	3'	11	22.2'	5.1'
5'	23	4.3'	2.1'	4'	10	12.2'	4.6'	4'	2	14.4'	5.0'	4'	4	17.1'	5.5'	4'	6	29.6'	6.8'	

Data are based on bare lamp photometrics.

FC is initial footcandles at center of beam. L and W are to the point that the candlepower drops 50% of maximum.

### Beam Center Location

Distance D (ft.)	1	2	3	4	5	6	7	8	9	10
Distance C (ft.)	1.7	3.5	5.2	6.9	8.7	10.4	12.1	13.8	15.6	17.3

This chart locates the distance (C) to the center of the light beam for various distance (D) when the lamp is aimed 30° from vertical, the preferred aiming angle for lighting pictures on a wall.



**Canlyte**  
 www.canlyte.com  
 3015 Louis-Amos, Lachine, Québec H8T 1C4  
 (514) 636-0670 • Fax (514) 636-0460

Spécifications are subject to charges without notice.  
 © Koninklijke Philips Electronics N.V., 2010. All rights reserved.

