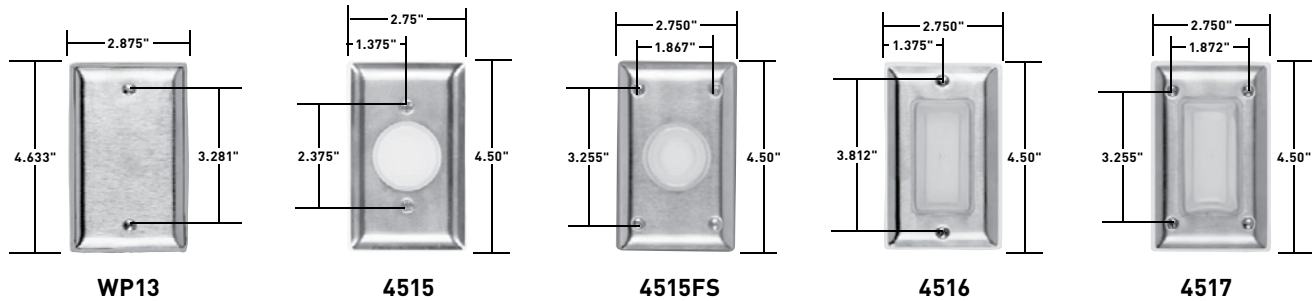


WEATHERPROOF BOXES & COVERS

Weatherproof Stainless Steel Covers Specification Grade



Features

- Covers comply with NEC Section 406.9(A).
- Plate is Type 302/304 Stainless Steel for corrosion resistance.
- Ideal for hard-use and corrosive applications.
- Aesthetically pleasing.

CATALOG NUMBER	DESCRIPTION	3RD PARTY COMPLIANCE	
		UL	SP
STAINLESS STEEL COVERS			
WP13 WP13FS	1 Gang Blank (Box Mounted) Gasketed For 4 Screw Mounting	•	•
WP23	2 Gang Blank (Box Mounted) Gasketed	•	•

Features

- Covers comply with NEC Section 406.9(A).
- Plate is Type 302/304 Stainless Steel for corrosion resistance.
- Transparent silicone rubber mat seals plate and opening from contamination.
- Switch easily actuated through flexible silicone bubble.
- Silicone mat maintains pliability from -100° F to +250° F.
- Mat is resistant to grease, water, steam, detergents, aging, and ozone.

CATALOG NUMBER	MAT CATALOG NUMBER	DESCRIPTION	3RD PARTY COMPLIANCE	
			UL	SP
STAINLESS STEEL COVERS				
4515	4515GAS	Round mat, mounts to Standard Switch Box	•	•
4515FS	4515FSGAS	Round mat, 4 Screw Box mounting	•	•
4516	4516GAS*	Rectangular mat, mounts to Standard Switch Box (includes #348 strap for Despard switches)	•	•
4517		Rectangular mat, 4 Screw Box mounting	•	•

*For use with both 4516 and 4517.

For Dustproof Stainless Steel Covers, see Page P-28.