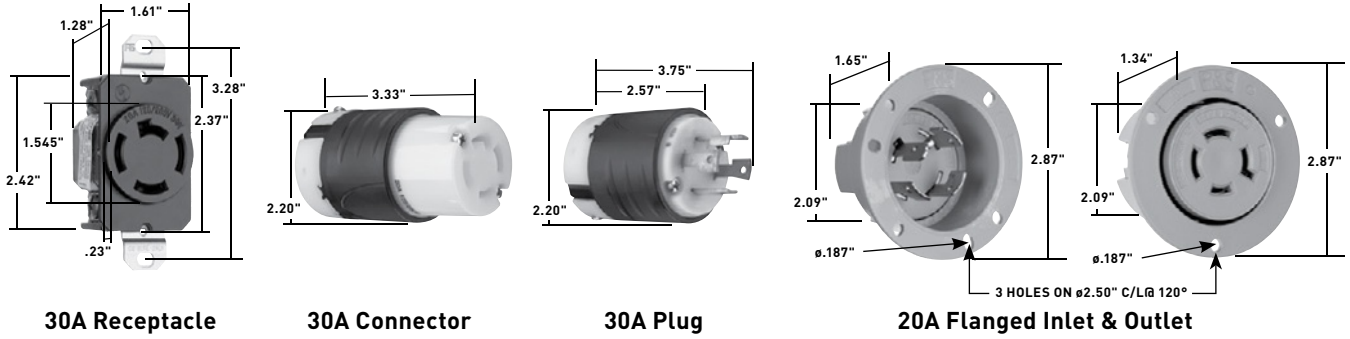
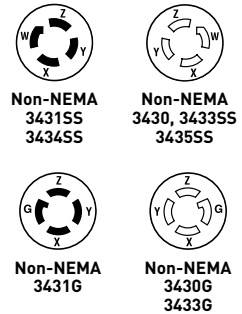


# INDUSTRIAL SPEC GRADE TURNLOK® LOCKING DEVICES

**30 Amp Non-NEMA** 3 Pole, 4 Wire 30A, 3ØY 250V; 10A, 600V; 4 Pole, 4 Wire 30A, 3ØY, 120/208V



CATALOG NUMBER	RATING		DESCRIPTION/COLOR	CORD DIAMETER	3rd PARTY COMPLIANCE		
	A.	V.			UL498	FSUL WC596	CSA
<b>RECEPTACLES</b>							
3430	30	3ØY, 120/208	Single Receptacle		•	•	
<b>CONNECTORS IP20 SUITABILITY</b>							
3433SS	30	3ØY, 120/208	Black Back, White Front Body	.225"-1.150"	•	•	
<b>PLUGS IP20 SUITABILITY</b>							
3431G*	30 10	3ØY, 250 600	Yellow	.333"-1.060"			
3431SS	30	3ØY, 120/208	Black Back, White Front Body	.225"-1.150"	•	•	
<b>FLANGED INLETS &amp; OUTLETS</b>							
3434SS	20	3ØY, 120/208	Gray Inlet		•		
3435SS	20	3ØY, 120/208	Gray Outlet		•		



\*For replacement use only. Reference Pages G-38 and G-39 for Accessories.

CATALOG NUMBER	DESCRIPTION	COLOR
<b>WEATHERPROOF COVER</b>		
WPG2	Cover for 20 and 30A Turnlok Flanged Inlets and Outlets	Gray
<b>STAINLESS STEEL WALL PLATE</b>		
SS720	Wall Plate for Locking Receptacles	302/304 S/S

