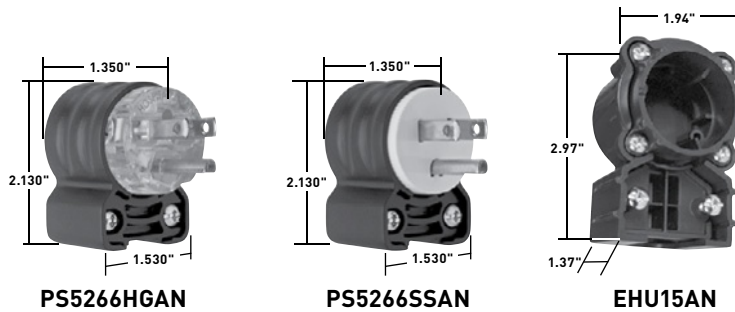


STRAIGHT BLADE PLUGS & CONNECTORS

IP20
Suitability

Extra-Hard Use (EHU) Angled Devices 2 Pole, 3 Wire Grounding 15 & 20A, 125 & 250V

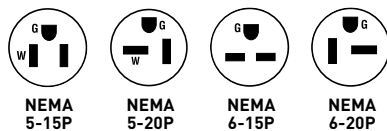


Features

- Angle plugs and adapters both allow for 4-position face rotation.
- Tri-drive assembly and cord-grip screws are standard on all angle adapters.
- Angle adapter (sold separately as catalog number EHU15AN) will accommodate all Pass & Seymour EHU-style Straight Blade plugs and connectors on a retrofit basis. Simply remove the straight handle body from the plug or connector face assembly, and replace with the angle adapter.

CATALOG NUMBER	RATING		DESCRIPTION	CORD DIAMETER	NEMA CONFIG. NO.	3rd PARTY COMPLIANCE		
	A.	V.				UL498	FSUL WC596	CS C22.2 No. 42
EHU – HOSPITAL GRADE								
PS5266HGAN	15	125	Plug, Black & Clear	.320"-.655"	5-15P	•	•	•
PS5366HGAN	20	125	Plug, Black & Clear	.320"-.655"	5-20P	•	•	•
PS5666HGAN	15	250	Plug, Black & Clear	.320"-.655"	6-15P	•	•	•
PS5466HGAN	20	250	Plug, Black & Clear	.320"-.655"	6-20P	•	•	•
EHU – SPECIFICATION GRADE								
PS5266SSAN	15	125	Plug, Black & White	.320"-.655"	5-15P	•	•	•
PS5366SSAN	20	125	Plug, Black & White	.320"-.655"	5-20P	•	•	•
PS5666SSAN	15	250	Plug, Black & White	.320"-.655"	6-15P	•	•	•
PS5466SSAN	20	250	Plug, Black & White	.320"-.655"	6-20P	•	•	•

CATALOG NUMBER	DESCRIPTION
ACCESSORIES	
EHU15AN	15 & 20A EHU Straight Blade, Right Angle Adapter



TECHNICAL SPECIFICATIONS

Straight Blade Plugs 2 Pole, 3 Wire Grounding 15 & 20A, 125, 250 & 277V

Typical Specifications

Manufacturer's Identification: Pass & Seymour® PS5266X
 Description: Straight Blade Plug, Power Supply
 Type: 2 Pole, 3 Wire Grounding
 Rating: 15A, 125V
 Configuration: NEMA 5-15P
 3rd Party Compliance: UL Listed, File Number E146159, Standard UL498, Attachment Plugs and Receptacles. Federal Specification WC596. CSA Certified, File Number LR1765, Standard CSA-C22.2 No. 42, General Use Receptacles and Attachment Plugs. Conforms to NEMA WD-1 and WD-6.

CATALOG NUMBER	RATING	NEMA CONFIG. NO.	CATALOG NUMBER	RATING	NEMA CONFIG. NO.	NEMA CONFIG. NO.	AC HP RATING
<input type="checkbox"/> PS5266XHG	15A 125V	5-15P	<input type="checkbox"/> PS5266XBK	15A 125V	5-15P	STRAIGHT BLADE HORSEPOWER RATING FOR NEMA CONFIGURATION 5-15 1/2 6-15 1 1/2* 7-15 2 5-20 1 6-20 2* 7-20 2 10-20 2 Line to Line* 1 Line to Neutral	
<input type="checkbox"/> PS5266HGAN	15A 125V	5-15P	<input type="checkbox"/> CR5266X	15A 125V	5-15P		
<input type="checkbox"/> PS5366XHG	20A 125V	5-20P	<input type="checkbox"/> PS5366X	20A 125V	5-20P		
<input type="checkbox"/> PS5366HGAN	20A 125V	5-20P	<input type="checkbox"/> PS5366SSAN	20A 125V	5-20P		
<input type="checkbox"/> PS5666XHG	15A 250V	6-15P	<input type="checkbox"/> PS5666X	15A 250V	6-15P		
<input type="checkbox"/> PS5666HGAN	15A 250V	6-15P	<input type="checkbox"/> PS5666SSAN	15A 250V	6-15P		
<input type="checkbox"/> PS5466XHG	20A 250V	6-20P	<input type="checkbox"/> PS5466X	20A 250V	6-20P		
<input type="checkbox"/> PS5466HGAN	20A 250V	6-20P	<input type="checkbox"/> PS5466SSAN	20A 250V	6-20P		
<input type="checkbox"/> PS5266X	15A 125V	5-15P	<input type="checkbox"/> PS5766X	15A 277V	7-15P		
<input type="checkbox"/> PS5266SSAN	15A 125V	5-15P	<input type="checkbox"/> PS5866X	20A 277V	7-20P		
<input type="checkbox"/> PS5266XGRY	15A 125V	5-15P					

* Suitable for 208V motor applications at the HP rating specified.

Performance

Electrical

Dielectric Withstand Voltage: 1500V minimum
 Maximum Working Voltage: 277V
 Current Interrupting: Certified for current interrupting at full-rated current
 Temperature Rise: 30°C maximum after 50 cycles at 150% rated current

Mechanical

Cord Accommodation: Round portable service cords in accordance with the device rating as defined in UL62
 Cord Grip Accommodation: .230"-.720" diameter, Angle Plugs - .320"-.655"
 Terminal Identification: Green = Ground, White = Neutral, Brass = Hot
 Terminal Accommodation: #18 AWG min. - #10 AWG max.
 Product Identification: Amperage, Voltage, 3rd Party Compliance, NEMA Configuration

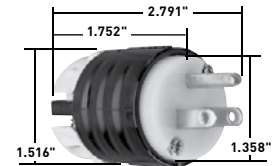
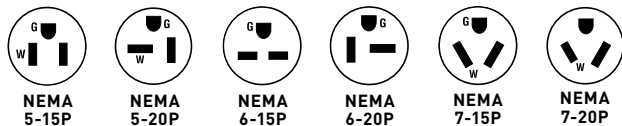
Environmental

Flammability: UL94 V2
 Operating Temperature: Maximum continuous +75°C, minimum -40°C without impact

Materials

Back Body: Nylon	Terminal Clamp: Zinc-Plated Steel**
Front Body: Nylon	Terminal Screws: Nickel- or Brass-Plated
Terminal Chamber: Polycarbonate	Steel Ground Screws: Nickel-Plated Steel Cord
Cord Clamp: Nylon	Clamp Screws: Nickel-Plated Steel #8
Insert: Nylon	Assembly Screws: Nickel-Plated Steel
Blades: Brass**	

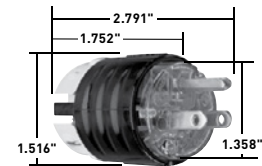
**Nickel-Plated for Corrosion-Resistant Product.
 Consult Straight Blade Plugs & Connectors Section F for complete compliance listing.



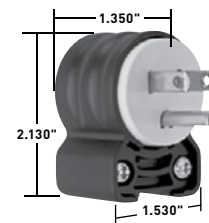
PS5266X



PS5266HGAN



PS5266XHG



PS5266SSAN

Project
Location/Type