



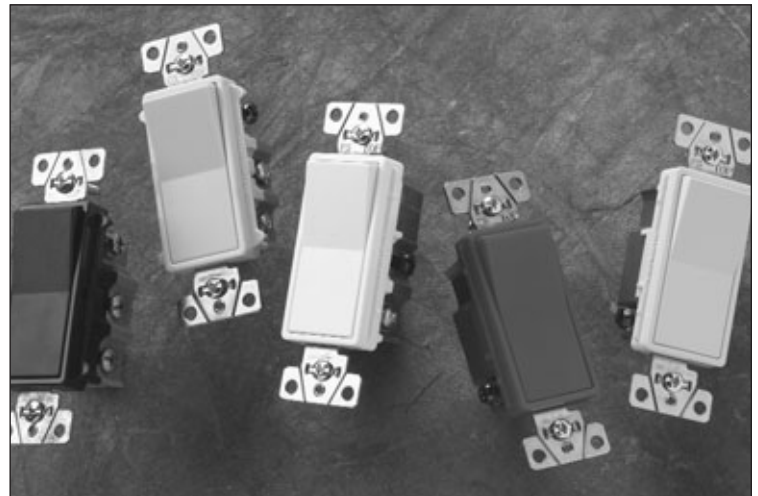
Pass & Seymour

Decorator Devices Construction Grade Switches 15 & 20A, 120/277VAC

2601, 2603, 2604, 2621, 2622, 2623, 2624

Smooth style and operation — plus commercial durability.

Cushioned thermoplastic paddles assure smooth, quiet long-term use. Integral silver-alloy contacts combine with heavy-gauge straps for long-lasting performance. Screw-pressure-plate back wiring (which also supports side wiring) enables fast installation and rock-solid connections.



Features & Benefits

Auto-ground on strap speeds up installation and holds mounting screws in position.

Impact-resistant polycarb back body and frame, for structural strength and impact resistance.

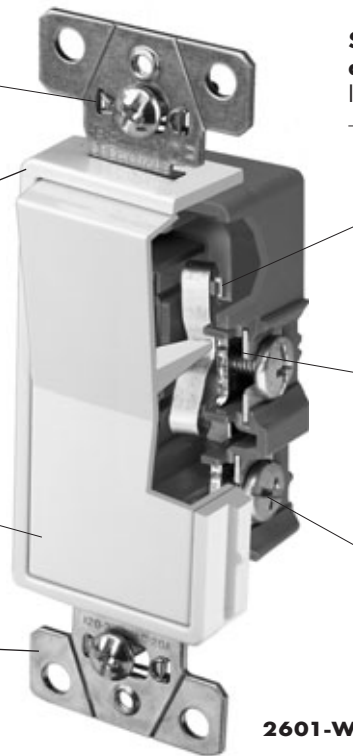
Cushioned thermoplastic paddle assures smooth, quiet long-term operation.

Heavy-gauge steel strap is plated for corrosion resistance.

Single rocking butterfly contact design has fewer moving parts — for longer life, and smoother, quieter operation.

Oversized silver alloy contacts integrally formed to the butterfly spring — assures high reliability.

Tri-drive brass terminal screws. Internal screw-pressure-plate back and side wire capability. Common terminal has two back wire holes for more wiring flexibility.



2601-W

Field Uses/Vertical Markets

- Education
- Institutional
- Retail
- Office
- Hospitality/Lodging
- Multiple Dwelling

SF901R1 — Updated January 2004 — For latest specs visit www.legrand.us/passandseymour



Pass & Seymour

Decorator Devices Construction Grade Switches 15 & 20A, 120/277VAC

Ordering Information

Catalog Number				Rating		Color
Single Pole	Double Pole	Three-Way	Four-Way	A.	VAC	
Decorator Switches Back & Side Wire						
2601-I		2603-I	2604-I	15	120/277	Ivory
2601-W		2603-W	2604-W	15	120/277	White
2601-GRY		2603-GRY		15	120/277	Gray
2601-BK		2603-BK		15	120/277	Black
2601-LA		2603-LA	2604-LA	15	120/277	Light Almond
2621-I	2622-I	2623-I	2624-I	20	120/277	Ivory
2621-W	2622-W	2623-W	2624-W	20	120/277	White
2621	2622	2623	2624	20	120/277	Brown
2621-GRY	2622-GRY	2623-GRY	2624-GRY	20	120/277	Gray
2621-BK	2622-BK	2623-BK	2624-BK	20	120/277	Black
2621-RED	2622-RED	2623-RED	2624-RED	20	120/277	Red
2621-LA	2622-LA	2623-LA	2624-LA	20	120/277	Light Almond

For more information on these and other P&S products refer to our Product Guide or visit our web site.

SF901R1 — Updated January 2004 — For latest specs visit www.legrand.us/passandseymour

Decorator Devices Construction Grade Switches 15 & 20A, 120/277VAC



Pass & Seymour

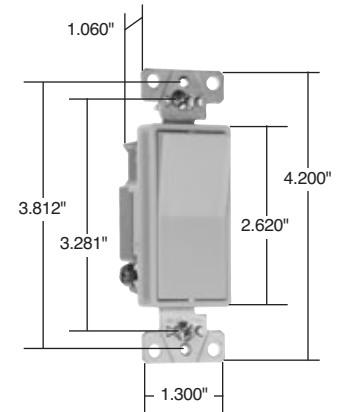
Technical Specifications

3rd Party Compliance

UL Listed, File Number E140597, Standard UL20, General Use Snap Switches.
Federal Specification WS896.
CSA Certified, File Number LR17446, Standard CSA-C22.2 No. 111, General Use Snap Switches.

Performance

Electrical	
Dielectric Withstand Voltage	1500V Minimum
Maximum Working Voltage	277VAC
Overload	Minimum 4.8 times rated current for 100 cycles
Temperature Rise	30°C maximum at rated current
Maximum Continuous Current	277VAC
Endurance	50,000 cycles minimum, resistive, inductive, tungsten filament lamp load (Fed Spec)
Mechanical	
Terminal Accommodations	#14 AWG – #10 AWG
Environmental	
Flammability	UL94 V2
Operating Temperature	Maximum continuous +115°C, minimum -40°C



Dimensions for
15 & 20 Amp

Materials

Back Body	Polycarbonate	Contacts	Silver Cadmium Oxide
Frame	Polycarbonate	Spring Arm	Brass
Paddle	Thermoplastic	Bumper	Rubber
Terminals	Brass	Spring	Zinc-Plated Steel
Terminal Screws	Tri-Drive Brass-Plated Steel	Ground Terminal	Brass
Strap	Steel	Ground Screw	Tri-Drive Zinc-Plated Steel
Pressure Plate	Steel		

Warranty

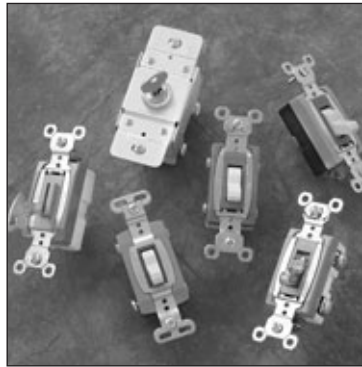
1 Year

Complimentary Devices & Accessories



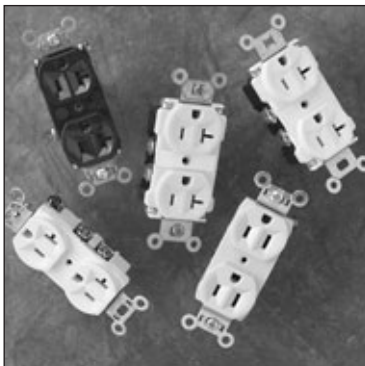
DECORATOR DEVICES

- Construction Grade Illuminated & Pilot Lighted Switches
- Construction Grade Receptacles
- Commercial Grade Receptacles
- Construction Grade Hallway Lights



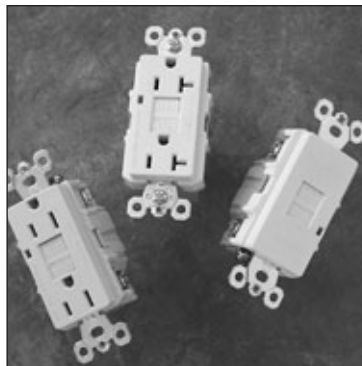
SWITCHES

- Heavy-Duty Toggle
- Heavy-Duty Lighted Toggle
- Heavy-Duty Security
- Heavy-Duty Locking
- Construction Grade Toggle
- Commercial Grade Toggle



STRAIGHT BLADE RECEPTACLES

- Extra Heavy-Duty
- Heavy-Duty
- Construction Grade
- Commercial Grade



GFCIs

- Construction Grade with Auto-Ground
- Construction Grade
- Construction Grade Dead Front



WALL PLATES

- TradeMaster® Thermoplastic Nylon
- Stainless Steel
- Brass
- Aluminum
- Dustproof Stainless Steel Covers

Also available...

- Light Almond Devices
- Hospital Grade Devices
- PlugTail™ Devices
- TVSS & Isolated Ground Devices
- Ground Continuity Monitoring (GCM)
- Straight Blade Plugs & Connectors
- Turnlok® Locking Devices
- Weatherproof Boxes & Covers
- IEC 309 Industrial Products
- Flexcor® Wire Mesh Grips
- Configurable Solutions



Legrand/Pass & Seymour
P.O. Box 4822
Syracuse, NY 13221-4822
800-223-4185

North America Headquarters
60 Woodlawn Street
West Hartford, CT 06110
Phone: 1.877.BY.LEGRAND (295.3472)
Fax: 1.860.232.2062
www.legrand.us

Legrand Canada
570 Applewood Crescent
Vaughan, ON, L4K 4B4
Phone: 905.738.9195
Fax: 905.738.9721
www.legrand.ca

SF901R1 — Updated January 2004 — For latest specs visit www.legrand.us/passandseymour