

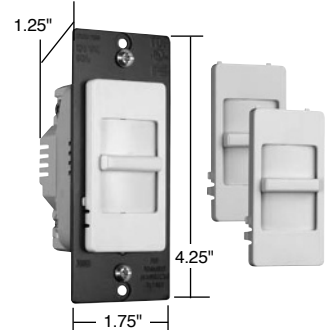


Decorator Devices Wide Slide TradeMaster® Series



Pass & Seymour

Features	
<ul style="list-style-type: none"> Convenient operation – combines ON/OFF Decorator-style switch with separate slider for dimming control. Constant memory returns lights to previous level after a power failure. Sleek, ergonomic P&S Decorator-style matches other Decorator devices. Higher ratings. Single pole and 3-way operation. 	<ul style="list-style-type: none"> Screw-pressure-plate back wire terminals save time, space and money. 700W maximum rated dimmers can be ganged without de-rating. Package comes with three face colors – Ivory, White, Light Almond (TC). White only option also available (W). Interchangeable faces available in four colors (sold separately, see below).



**WS700TC
WSLV700TC**
Shown with the Three Interchangeable Faces

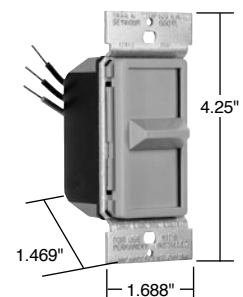
All 1100W versions are 2.50" W



Preset Models

Max. Load Rating	Fins Removed	
	One Side	Two Side
1000W	800W	700W
1000VA	800VA	700VA

Note: Each side removed reduces plate size by 3/8".



94084

NEW

Catalog Number	Description	Rating	Color
Interchangeable Face Incandescent Dimmers			
WS700TC* WS700W	Single Pole, Slide to OFF, 3 Face Colors White Face Only	120V, 700W 120V, 700W	Ivory/White/Lt. Almond White
WS703PTC* WS703PW	Preset, Single Pole/3-Way, 3 Face Colors White Face Only	120V, 700W 120V, 700W	Ivory/White/Lt. Almond White
WS1100TC* WS1100W	Preset, Single Pole/3-Way, 3 Face Colors White Face Only	120V, 1100W 120V, 1100W	Ivory/White/Lt. Almond White
WS1103PTC* WS1103PW	Preset, Single Pole/3-Way, 3 Face Colors White Face Only	120V, 1100W 120V, 1100W	Ivory/White/Lt. Almond White

NEW

Interchangeable Face Magnetic Low-Voltage Dimmers			
WSLV700TC* WSLV700W	Single Pole, 3 Face Colors White Face Only	120V, 700VA 120V, 700VA	Ivory/White/Lt. Almond White
WSLV703PTC* WSLV703PW	Preset, Single Pole/3-Way, 3 Face Colors White Face Only	120V, 700VA 120V, 700VA	Ivory/White/Lt. Almond White

NEW

Interchangeable Face Fan Speed Controls			
WSSC53PTC* WSSC53PW	Preset, Variable Speed, 3 Face Colors White Face Only	120V, 5A 120V, 5A	Ivory/White/Lt. Almond White

NEW

Interchangeable Face Covers**			
WSKITI	Wide Slide Interchangeable Face, Ivory	Ivory	Ivory
WSKIT	Wide Slide Interchangeable Face, White	Brown	Brown
WSKITBK	Wide Slide Interchangeable Face, Black	Black	Black
WSKITLA	Wide Slide Interchangeable Face, Light Almond	Light Almond	Light Almond
WSKITPI	Present Wide Slide Interchangeable Face, Ivory	Ivory	Ivory
WSKITP	Present Wide Slide Interchangeable Face, Brown	Brown	Brown
WSKITPBK	Present Wide Slide Interchangeable Face, Black	Black	Black
WSKITPLA	Present Wide Slide Interchangeable Face, Light Almond	Light Almond	Light Almond

*Available in VisionPak™ packaging, add "CCV6" to Catalog Number. Example: WS700TCCCV6.

**Available in VisionPak™ packaging, add "BPCC6" to Catalog Number. Example: WSKITIBPCC6.

No-Noise De-Hummers

Since the development of variable fan speed controls, many fans have made an annoying humming noise when their speed was reduced. Through the use of specially designed capacitive circuitry, these units can control fans at 3 or 4-speed levels in slide, rotary, and dual styles with virtually no fan motor noise.

Catalog Number	Description	Ratings	Color
1.5A Max. No-Noise De-Hummer Specification Grade Fan Speed Controls – RFI Protected			
94084I* 94084W* 94084GRY 94084LA*	3-Speed, Single Pole	120V 1.5A max.	Ivory White Gray Light Almond

* Available in VisionPak™ packaging, add "V" to Catalog Number. Example: 94084LAV.

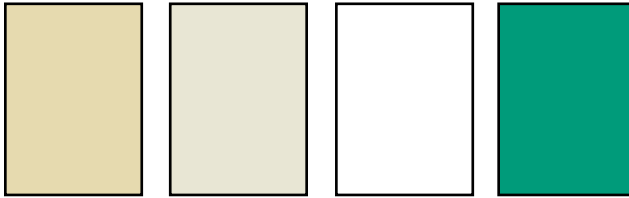
All devices listed on this page conform to NEMA WD-1 and WD-6. UL Listed and CSA Certified.

Devices & Wall Plates Color Selection Chart

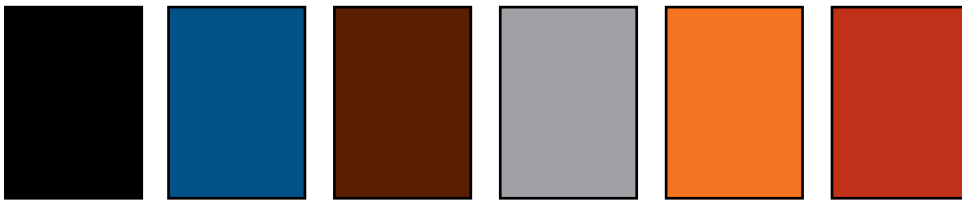


Pass & Seymour

Devices & Plastic Wall Plate Colors



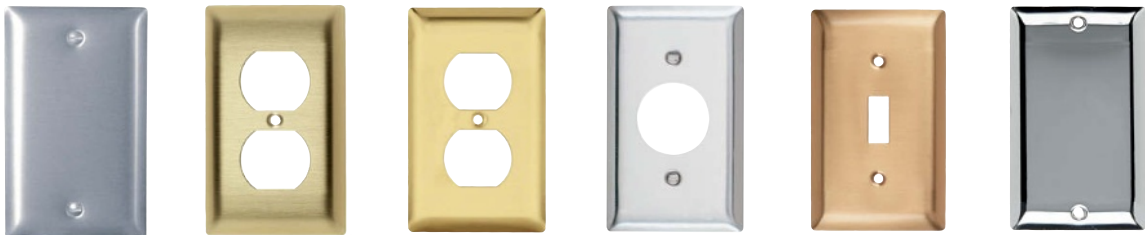
Ivory Light Almond White Green



Black Blue Brown Gray Orange Red

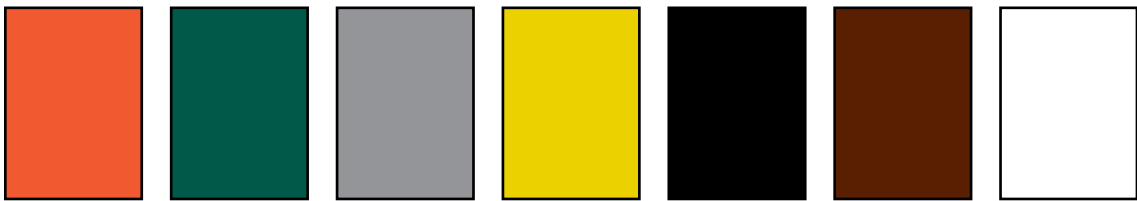
See specific device and wall plate catalog charts for particular color availabilities.

Metal Wall Plates



Metal Finish Aluminum Brass (Brushed) Polished Brass Stainless Steel Brushed Bronze Chrome

Custom Metal Wall Plates Paint Finish Colors



Paint Color Orange Green Gray Yellow Glossy Black Brown White



Paint Color Primer Red Pink Flat Black Ivory Light Almond Blue

To order custom metal wall plates, see Pages Q-43 – Q-45.

For additional colors consult factory.