

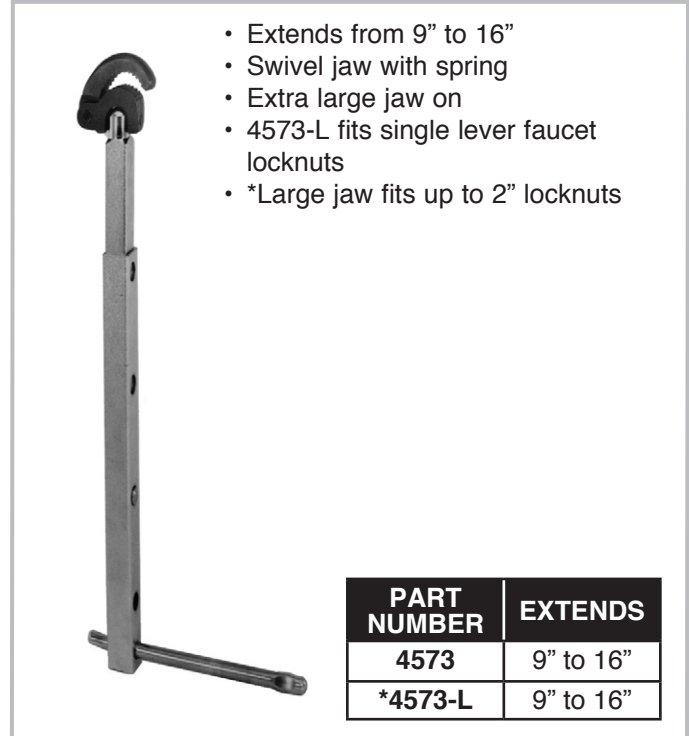


Impact Handle Puller



PART NUMBER
4660

Telescoping Basin Wrench



- Extends from 9" to 16"
- Swivel jaw with spring
- Extra large jaw on
- 4573-L fits single lever faucet locknuts
- *Large jaw fits up to 2" locknuts

PART NUMBER	EXTENDS
4573	9" to 16"
*4573-L	9" to 16"

Shower Valve Socket Set - Professional Quality



- Heavy duty
- Each socket is 20% longer than the import
- High quality steel

Made in U.S.A.

PART NUMBER	DESCRIPTION
5300XH	Complete Set Only

Import Shower Valve Socket Set



PART NUMBER	DESCRIPTION
5300	Socket Set as Shown