



CONDENSING TANKLESS GAS WATER HEATER

ecoTOUGH™
Super Efficient. Reliable.

Part List



Models

NRCP1112-DV / NRCP982-DV (Eco TOUGH)

- Natural Gas(NG) / Liquid Propane Gas (LP)

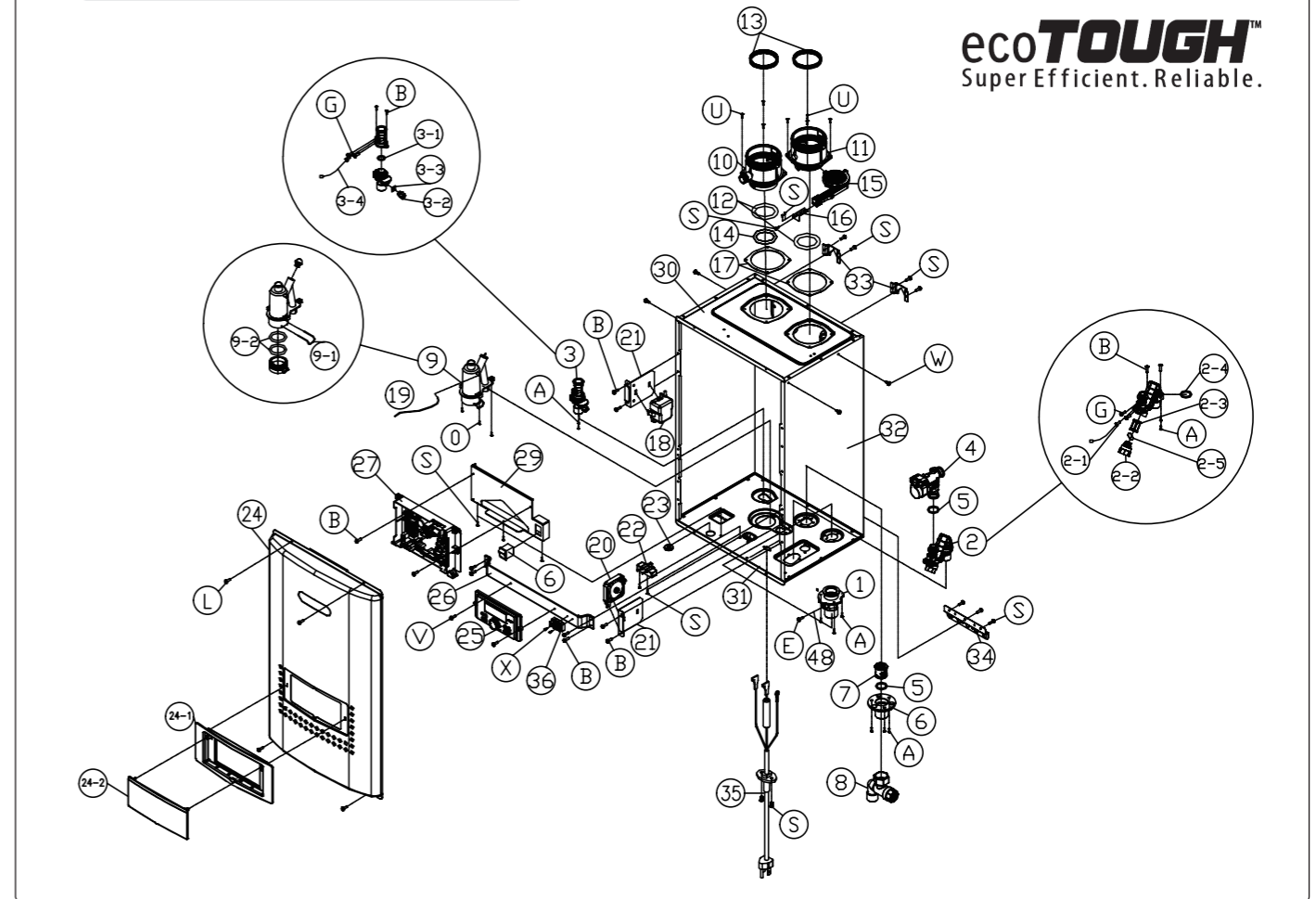


Low NOx Approved
by SCAQMD
14ng/J or 20ppm
(Natural Gas Only)



Part List

PART I _ CASE PART



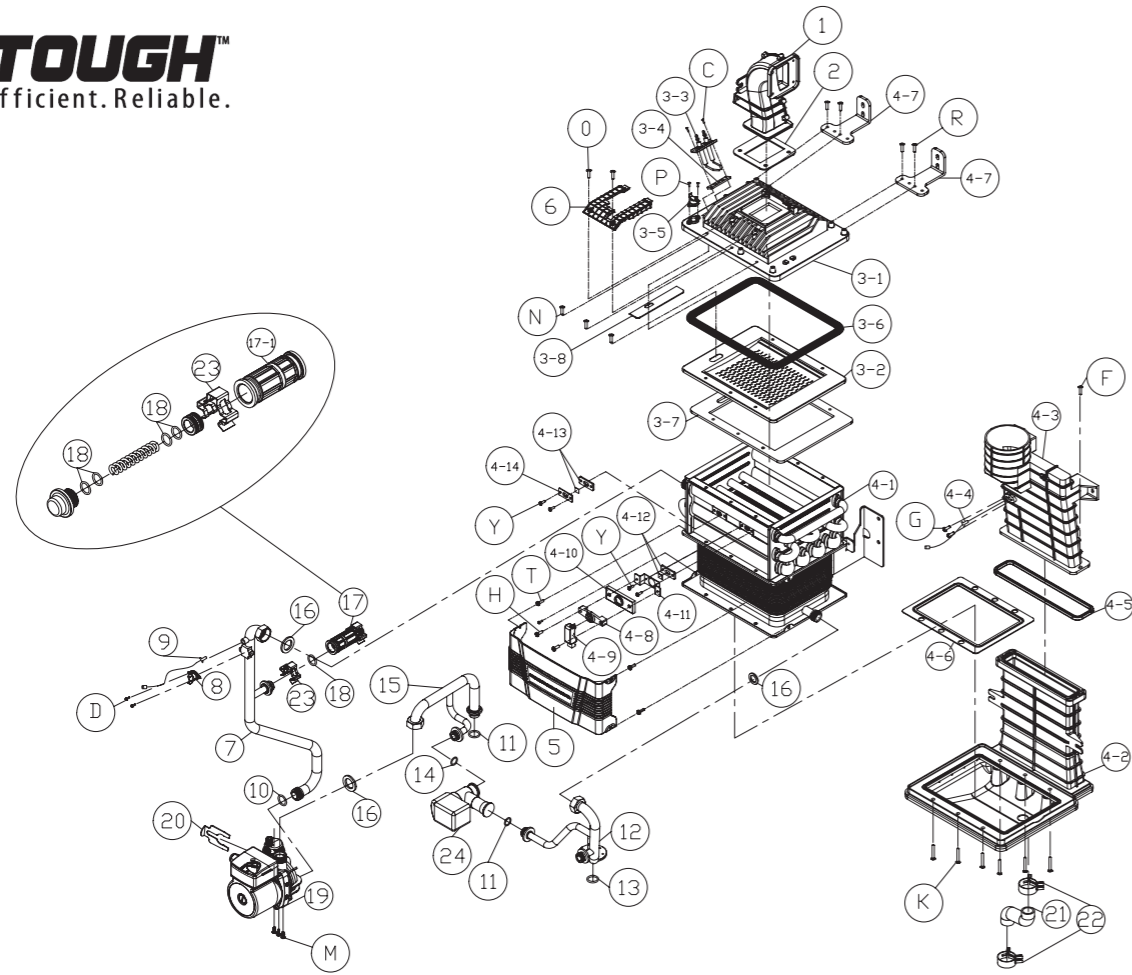
ecoTOUGH™
Super Efficient. Reliable.

Item	Description	Part Number	Qty	Item	Description	Part Number	Qty
1	Gas Inlet Connection	NPC043	1	15	Air Intake Filter	NPF076	1
2	Cold Water Valve Assembly	NAD045	1	16	Air Intake Filter Bracket	NPA077	1
2-1	Cold Water Temperature Sensor	NPD046	1	17	Gasket	NPL078	2
2-2	Cold Water Filter Cap	NPD047	1	18	Igniter	NPH079	1
2-3	Cold Water Filter	NPD048	1	19	Siphon Air Pressure Hose	NPF080	1
2-4	O-ring (P20)	NPD035	1	20	Air Pressure Switch	NPF081	1
2-5	O-ring (P18)	NPD032	1	21	Bracket (Igniter, Air Pressure Switch)	NPA082	2
3	Hot Water Pipe Assembly	NAD051	1	22	Water Leak Detector	NPH083	1
3-1	O-ring (P20)	NPD035	1	23	Wiring Through Way Packing	NPA085	1
3-2	Hot water Plug	NPD052	1	24	Front Cover Assembly	NAA086	1
3-3	O-ring (P10)	NPD053	1	24-1	Control Panel Bracket	NPA087	1
3-4	Hot Water Temperature Sensor	NPD054	1	24-2	Control Panel Window	NPA088	1
4	Flow Control Valve	NPD055	1	25	Control Panel	NPJ089	1
5	O-ring (P16)	NPD033	2	26	Control Panel Steel Bracket	NPA090	1
6	Recirculation Return Connection	NPD060	1	27	PCB -(Control Board)	NPJ220	1
7	Check Valve	NPD061	1	28	Rocker Switch	NPH092	1
8	Recirculation Return Filter Assembly	NPD064	1	29	Control Board Bracket	NPA096	1
9	Condensate Trap	NPF067	1	30	Case (Top)	NPA097	1
9-1	Condensate Clip	NPA068	1	31	Case (Bottom)	NPA098	1
9-2	O-ring (P44)	NPF069	2	32	Case	NPA099	1
10	Exhaust Assembly	NPF071	1	33	Case Bracket	NPA100	2
11	Air Intake Assembly	NPF072	1	34	Case Bracket (Bottom)	NPA102	1
12	O-ring (P85)	NPF073	2	35	Power Cord	NPH095	1
13	Exhaust and Intake Packing	NPL074	2	36	Terminal Block	NPA156	1
14	O-ring (P75)	NPF075	1				

Part List

PART II _ HEAT EXCHANGER PART

ecoTOUGH™
Super Efficient. Reliable.



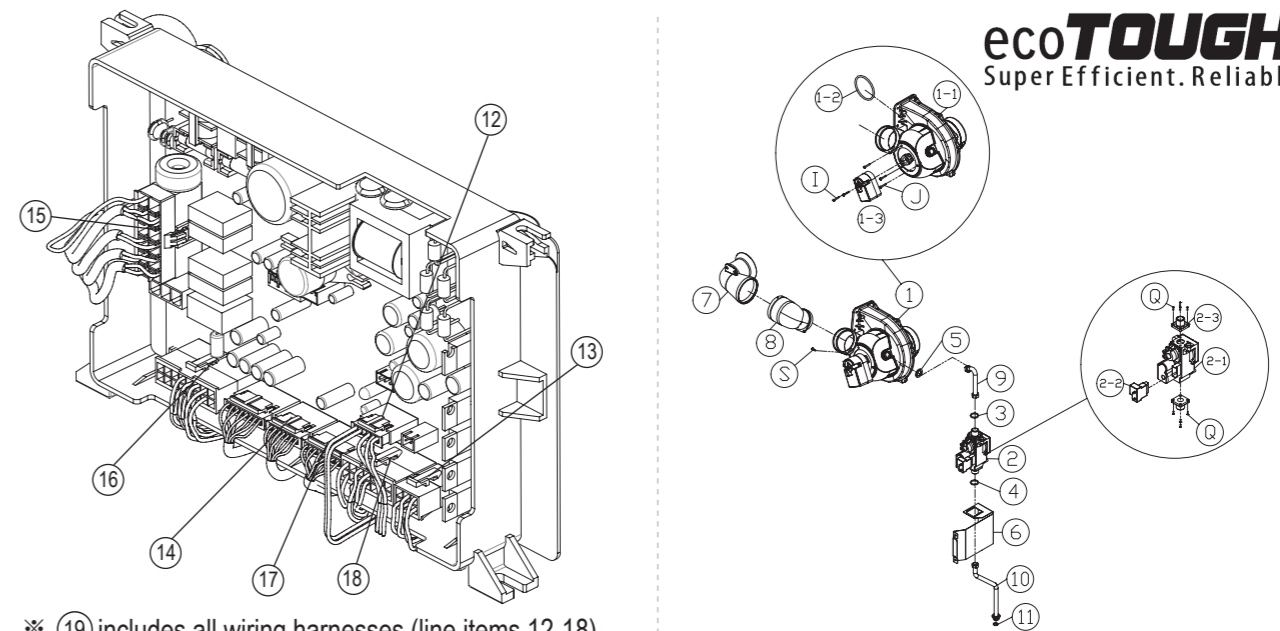
Item	Description	Part Number	Qty
1	Blower Connector	NPF005	1
2	Blower Connector Packing	NPL006	1
3	Burner Assembly	NAC007	1
3-1	Burner Head	NPC008	1
3-2	Burner Flange	NPC009	1
3-3	Ignition Rod	NPC010	1
3-4	Ignition Rod Gasket	NPA011	1
3-5	Overheat Switch (Burner)	NPH224	1
3-6	Burner Head Packing	NPL013	1
3-7	Burner Head Gasket 1	NPL014	1
3-8	Burner Head Gasket 2	NPL015	1
4	Heat Exchanger Assembly	NAB016	1
4-1	Heat Exchanger Semi Assembly	NPB017	1
4-2	Exhaust Pipe Assembly (Lower)	NPF018	1
4-3	Exhaust Pipe Assembly (Upper)	NPF019	1
4-4	Exhaust Temperature Sensor	NPH019	1
4-5	Exhaust Duct Packing	NPL024	1
4-6	Secondary Heat Exchanger Packing	NPL025	1
4-7	Heat Exchanger Brackets (Left & Right)	NPA026	2
4-8	Flame Detector Sensor Bracket	NPA027	1
4-9	Flame Detector Sensor	NPH028	1
4-10	Flame Detector Metal Plate	NPA207	1
4-11	Flame Observation Bracket	NPA205	1
4-12	Flame Observation Glass & Gasket	NPA206	1

Item	Description	Part Number	Qty
4-13	Flame View Glass & Gasket	NPA225	1
4-14	Flame View Bracket	NPA226	1
5	Secondary Heat Exchanger Cover	NPA029	1
6	Burner Fixing Bracket	NPA030	1
7	Hot Water Outlet Pipe	NPD031	1
8	Overheat Switch	NPH044	1
9	Water Temperature Sensor	NPD094	1
10	O-ring (P18)	NPD032	1
11	O-ring (P16)	NPD033	2
12	Hot Water Supply and Return Pipe	NPD034	1
13	O-ring (P20)	NPD035	1
14	O-ring (P15)	NPD036	1
15	Pump Outlet Pipe	NPD037	1
16	Packing (20A)	NPD038	3
17	Water Chamber Assembly	NAD057	1
17-1	Water Chamber Body	NPD059	1
18	O-ring (P16)	NPD033	5
19	Circulation Pump	NPD231	1
20	Pump Clip	NPA063	1
21	Condensate Hose	NPF065	1
22	Condensate Hose Clip	NPA066	2
23	Water Hammer Clip	NPA084	2
24	Mixing Valve	NPD056	1

Part List

PART III _ FAN MOTOR & WIRE HARNESS PART

ecoTOUGH™
Super Efficient. Reliable.



Item	Description	Part Number	Qty
1	Fan & AGM Assembly (NG)	NAF001	1
1	Fan & AGM Assembly (LP)	NAF116	1
1-1	Fan	NPF002	1
1-2	O-ring	NPL003	1
1-3	AGM (Actuator) (NG)	NPF004	1
1-3	AGM (Actuator) (LP)	NPF117	1
2	Gas Valve Assembly	NAC020	1
2-1	Gas Valve	NPC021	1
2-2	Gas Valve Plug	NPC022	1
2-3	Gas Valve Adapter (Straight)	NPE023	2
3	15A Packing (Non-Asbestos)	NPC193	1
4	15A Packing	NPC041	1
5	Gas Mixer Packing	NPC042	1
6	Gas Valve Bracket	NPA070	1

Item	Description	Part Number	Qty
7	Silencer Body	NPA103	1
8	Silencer Elbow	NPA104	1
9	Gas Pipe (Upper)	NPC039	1
10	Gas Pipe (Lower)	NPC040	1
11	O-ring (p18)	NPD032	1
12	CN3 (Flow Sensor/Terminal Block)	NPH221	1
13	CN4 (Fan Motor)	NPH106	1
14	CN12 (AGM Motor)	NPH107	1
15	CN9 (Pump/Igniter/Gas Valve/Power Switch)	NPH108	1
16	CN11 (High Limit Switch/Remote)	NPH109	1
17	CN14 (Flow Control Valve)	NPH110	1
18	CN7 (Flame Detection Sensor/Thermistors)	NPH222	1
19	Wire Harness Assembly tt24	NPH223	1

Screw

Item	Description	Length	Item	Description	Length
A	Truss Head Tapping Screw	M4 x 8	M	Round Head Tapping Screw	M5 x 12
B	Flat Head Machine Screw	M4 x 10	N	Hexagon Head with Flange Tapping Screw	M5 x 16
C	Round Head with Flange Machine Screw	M4 x 8	O	Hexagon Head with Flange Tapping Screw	M5 x 12
D	Round Head Tapping Screw	M3 x 6	P	Round Head Machine Screw	M3 x 6
E	Truss Head Machine Screw	M4 x 10	Q	Round Head Machine Screw	M4 x 12
F	Truss Head Tapping Screw	M4 x 16	R	Truss Head Machine Screw	M4 x 8
G	Truss Head Tapping Screw	M4 x 6	S	Truss Head Tapping Screw	M4 x 10
H	Round Head Tapping Screw	M4 x 16	T	Round Head with Flange Tapping Screw	M3 x 6
I	Round Head Tapping Screw	M4 x 30	U	Truss Head Tapping Screw	M4 x 12
J	Truss Head Machine Screw	M4 x 25	V	Flat Head Machine Screw	M4 x 15
K	Truss Head Machine Screw	M5 x 30	W	Hexagon Head with Flange Screw	M4 x 10
L	Truss Head with PC Washer Tapping Screw	M4 x 10	X	Round Head Tapping Screw	M3 x 16
			Y	Round Head Tapping Screw	M4 x 8



NORITZ AMERICA CO. 11160 Grace Avenue Fountain Valley, CA 92708
Phone : 866 - 766 - 7489