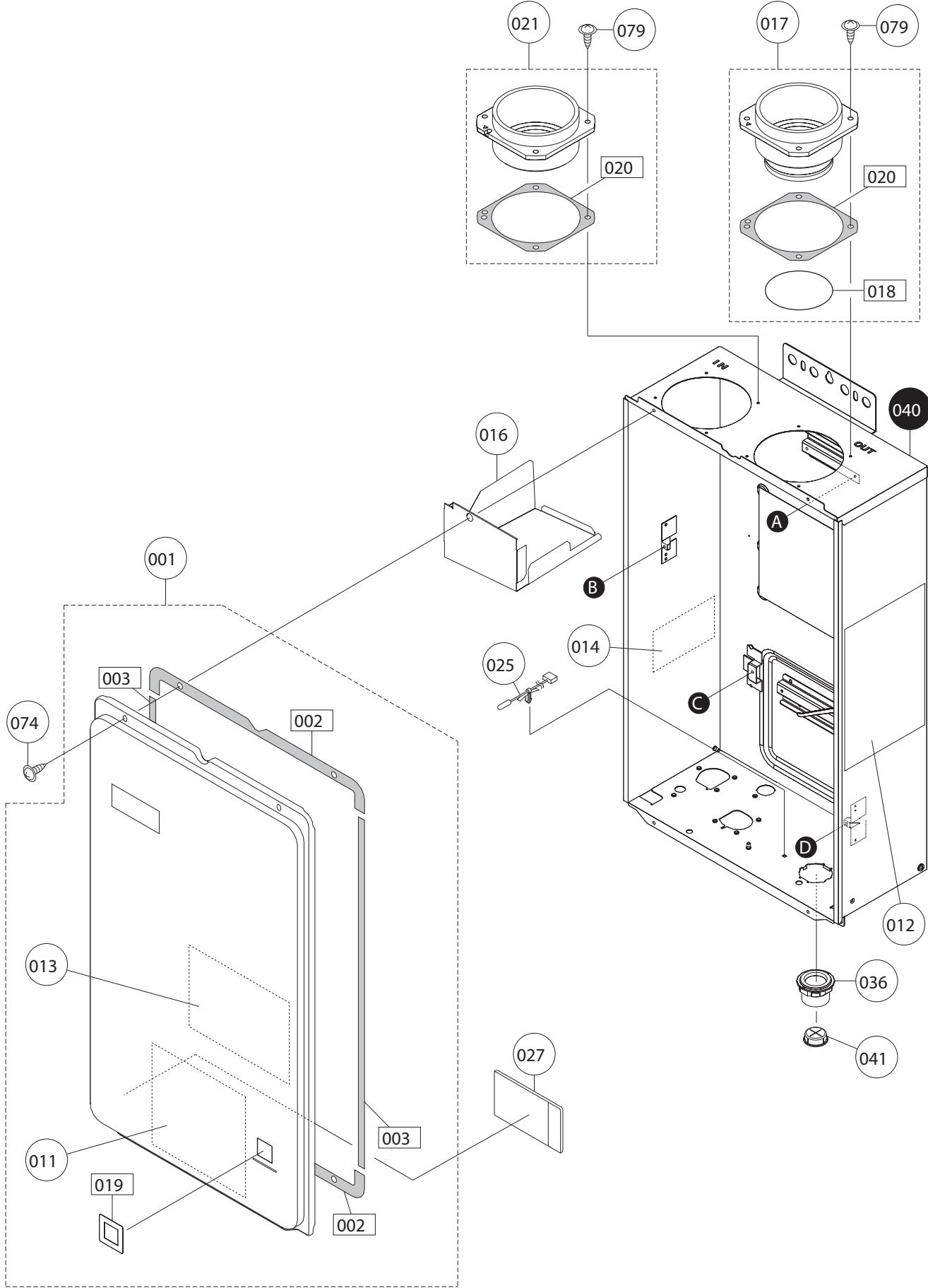
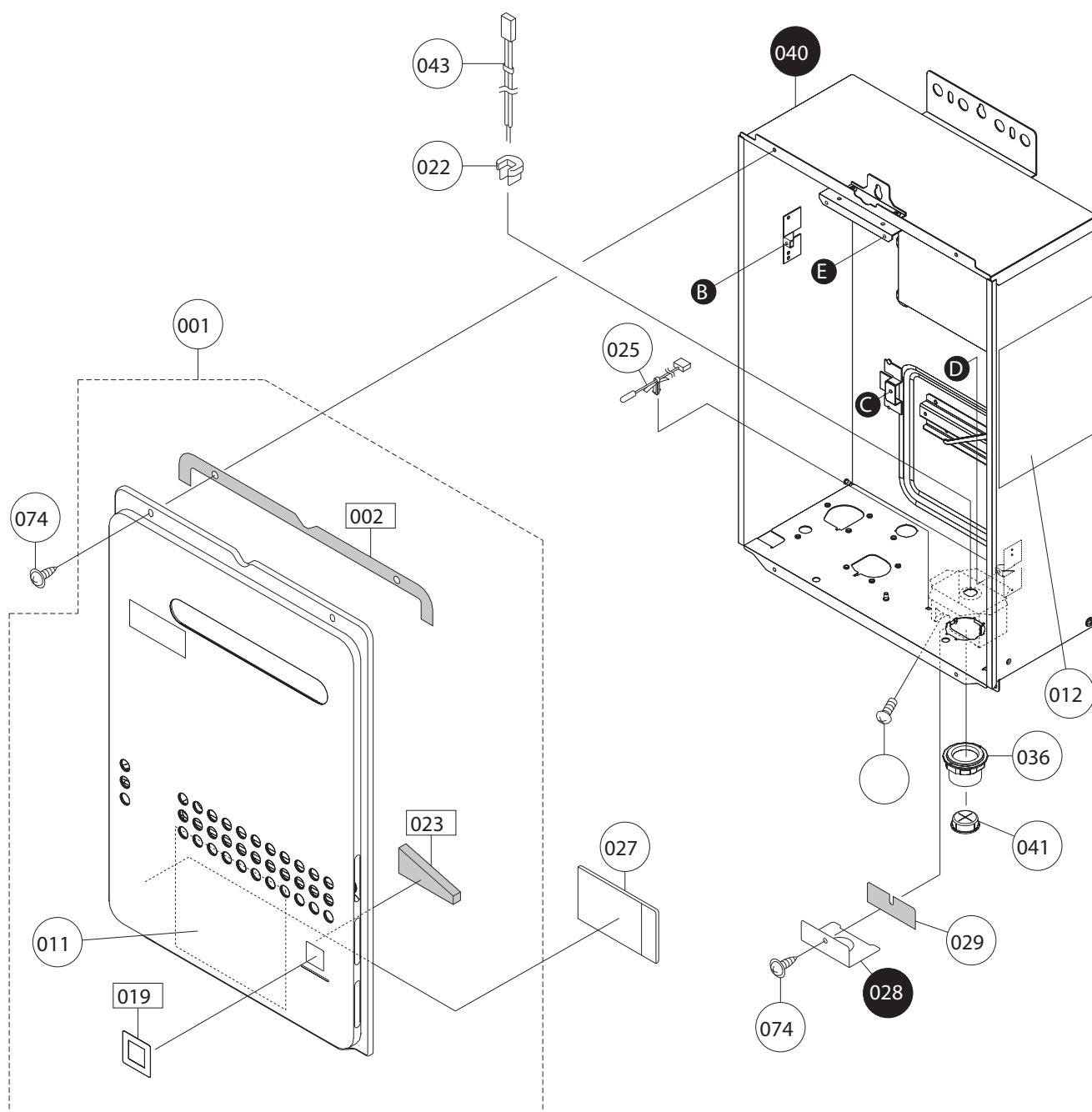


External outfitting NRC661-DV



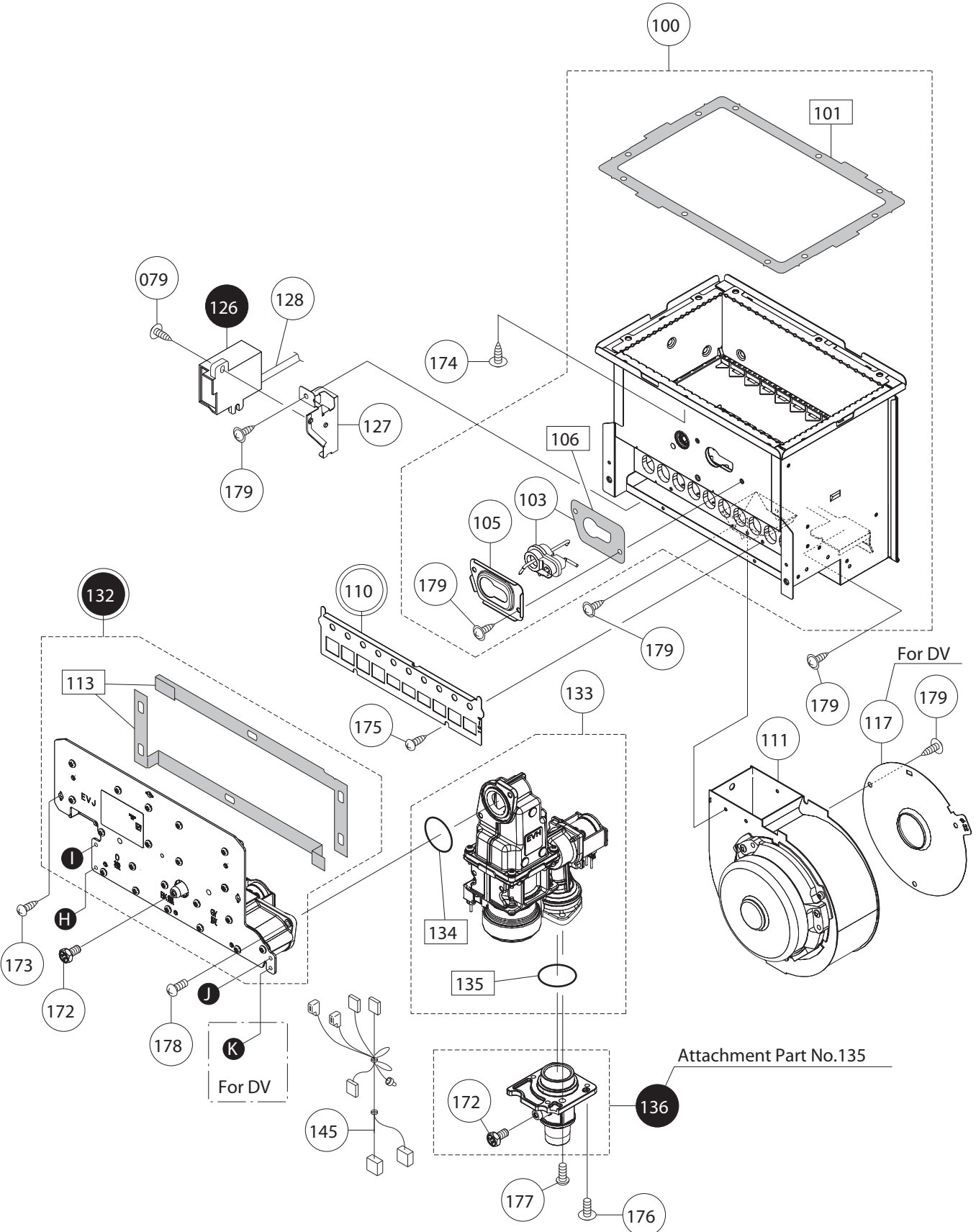
External outfitting NRC661-OD



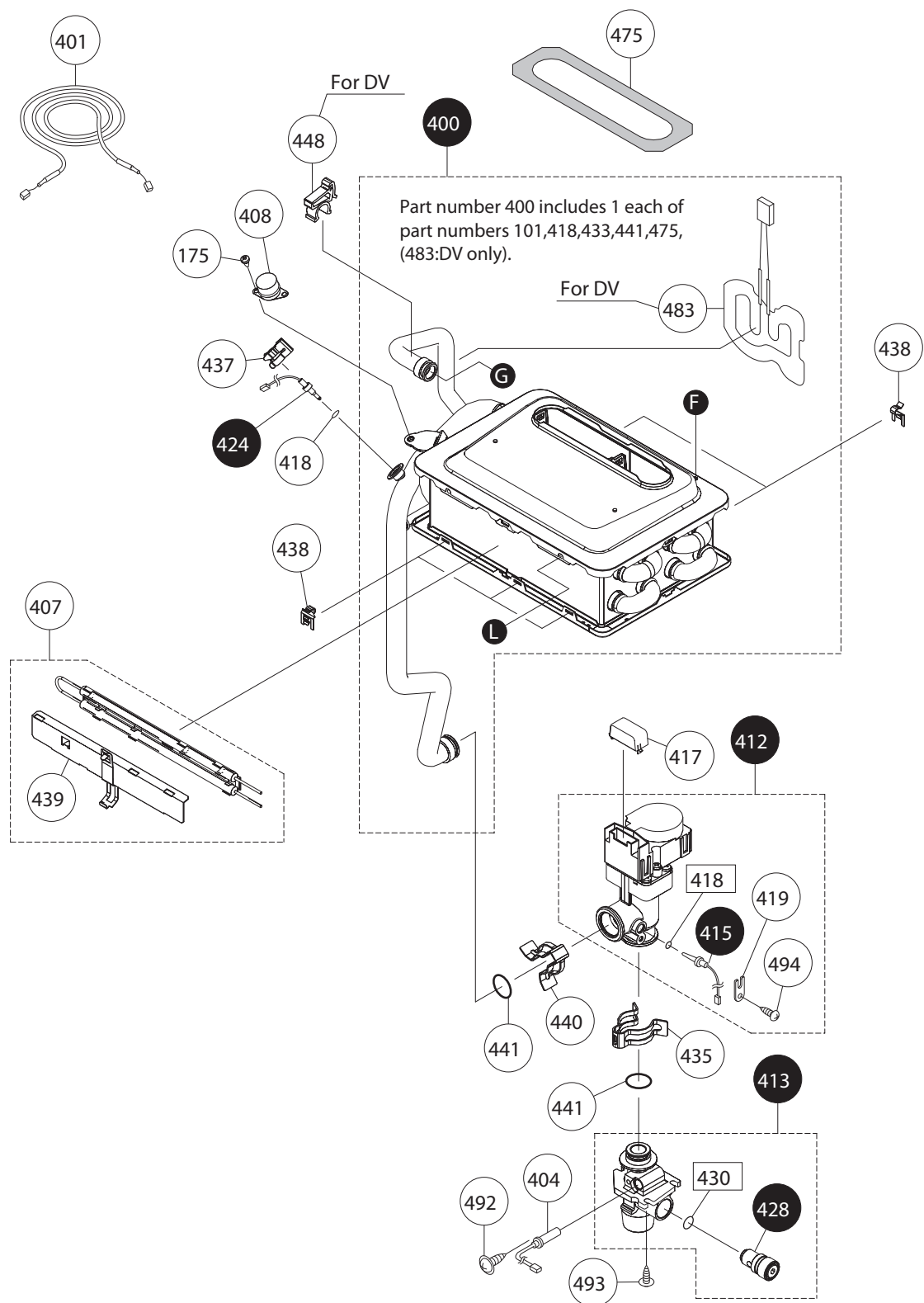
External outfitting NRC661(-DV.-OD)

Part Nos.	Part Names	Order Nos.	Q'ty/unit
001	Front Cover - NRC661-DV (SET) Front Cover - NRC661-OD (SET)	SKJ70BS SKJ70BT	1<NRC661-DV> 1<NRC661-OD>
002	Gasket - Front Cover Top and Bottom Gasket - Front Cover Top and Bottom	EAAL002 EAAL002	2<NRC661-DV> 1<NRC661-OD>
003	Gasket - Front Cover Sides	AAPL017	2<NRC661-DV>
011	Wiring Diagram	EVRK001	1
012	Label - Outside Case Caution Label	EVRK004	1
013	Label - Inside Front Cover Caution Label	ELVK006	1<NRC661-DV>
014	Label - Name Plate	ELVK010	1<NRC661-DV>
016	Air intake deflector plate - plastic	EVSA006	1<NRC661-DV>
017	Exhaust Flue w/ O-Ring and Gasket (SET)	EVSF021	1<NRC661-DV>
018	O-Ring - Exhaust Flue Φ 72.62	EVSF024	1<NRC661-DV>
019	Sight Glass Window	EVRK002	1
020	Gasket - Exhaust Flue	EVSF023	2<NRC661-DV>
021	Intake Flue w/ Gasket (SET)	EVSF031	1<NRC661-DV>
022	Inlet Power Wire Clip	SAE6198	1<NRC661-OD>
023	Gasket - Sight Glass Window	EVRK001	1<NRC661-OD>
025	Thermistor - Air	BWCH003	1
027	Parts List/Technical sheet	EVRK051	1
028	Junction Box Cover	ENJA025	1<NRC661-OD>
029	Gasket - Junction Box Cover	ENWL005	1<NRC661-OD>
036	Wiring Through Way	EQMA055	1
040	Case - NRC661-DV Case - NRC661-OD	EVSA001 EVRA001	1<NRC661-DV> 1<NRC661-OD>
041	Wire Grommet - Rubber	CXPA026	1
043	Inlet Power Wires	ENJJ020	1<NRC661-OD>
074	Screw - Front Cover with washer M4X12 S410		
079	Screw - Long Tapping M4X12 S410		
080	Screw - Remote Terminal M4X8 S430		<NRC661-OD>

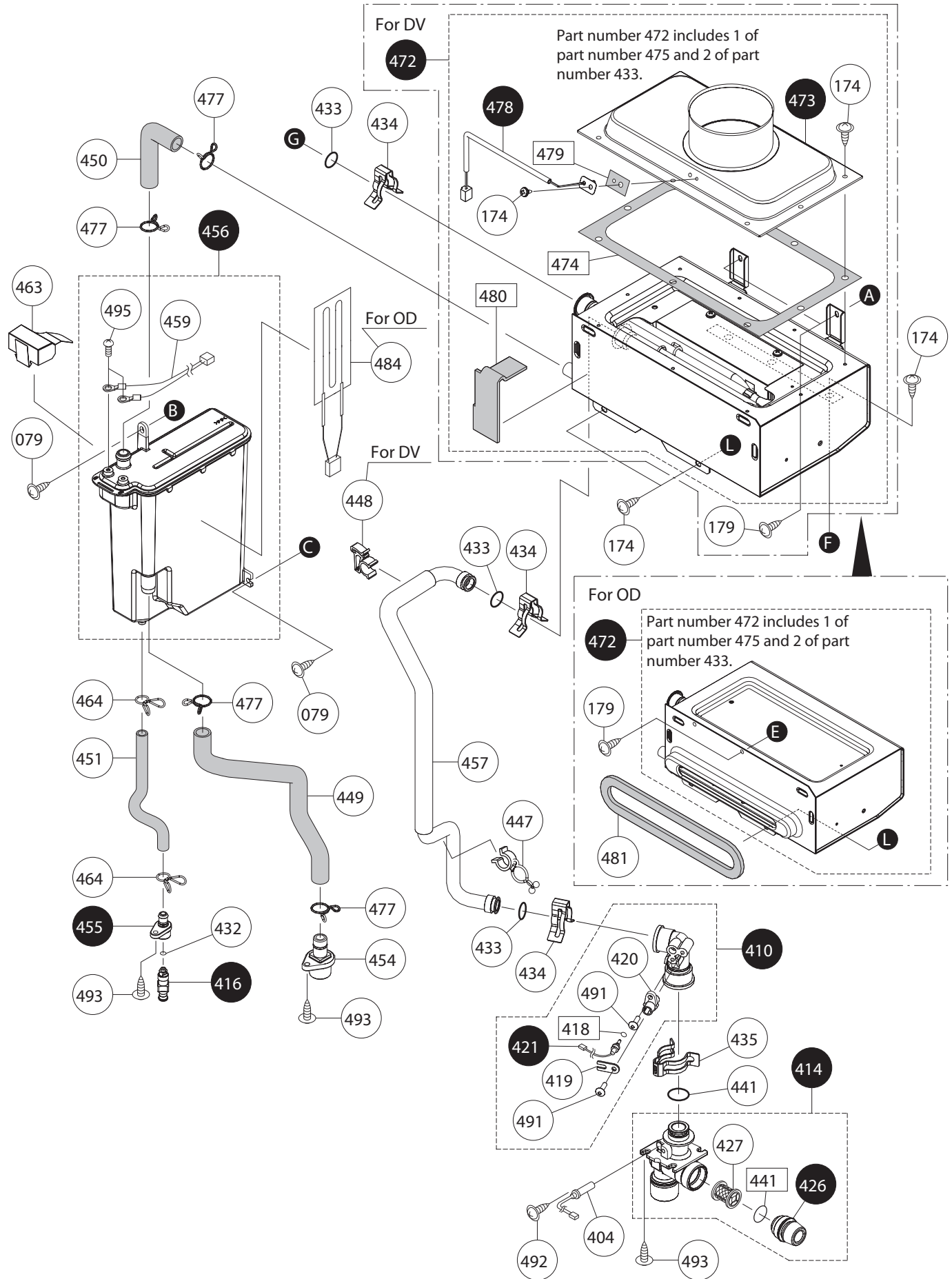
Combustion unit and gas route NRC661(-DV.-OD)



Hot-water feed route 1 NRC661(-DV.-OD)



Hot-water feed route 2 NRC661(-DV.-OD)

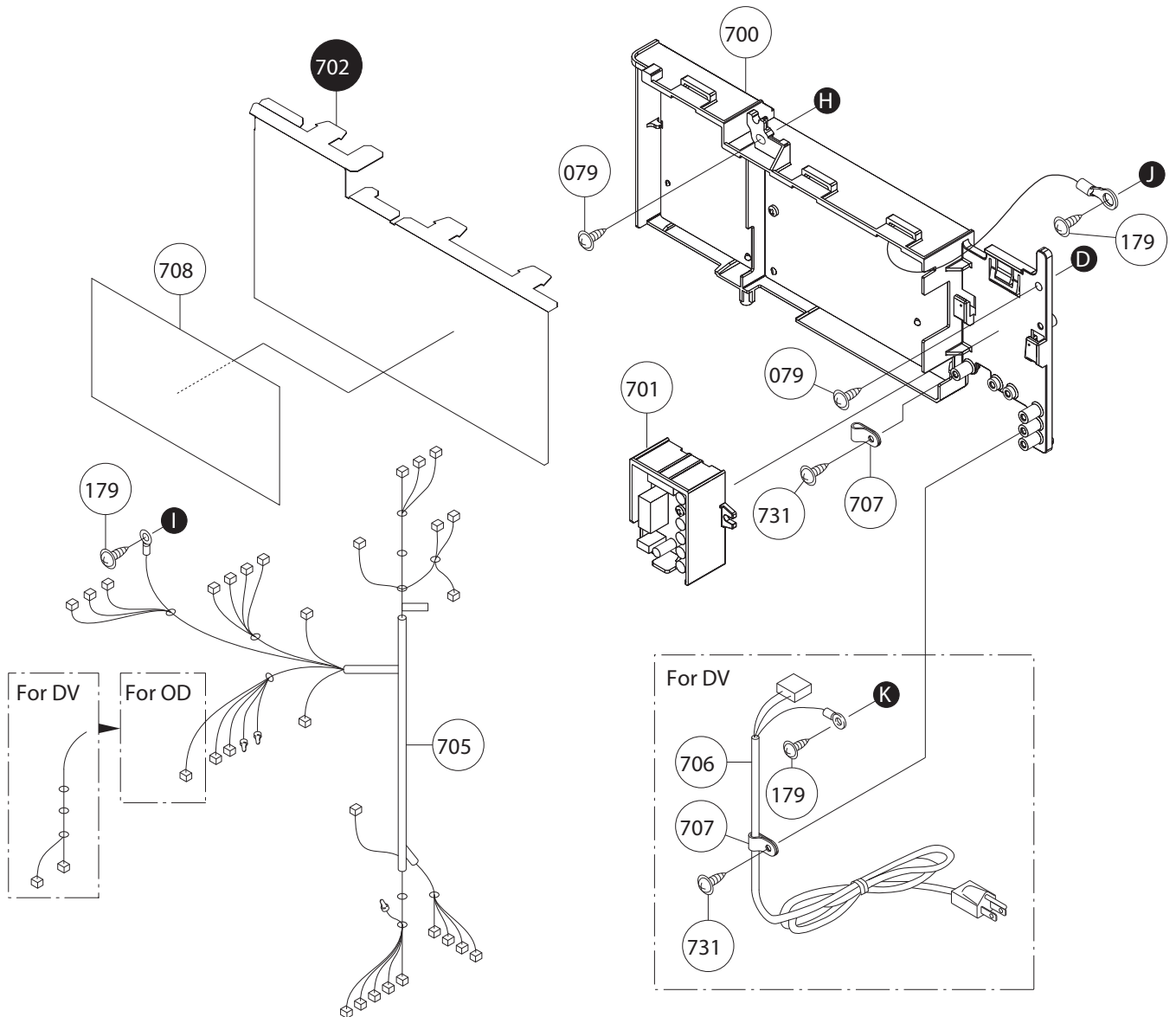


Hot-water feed route NRC661(-DV.-OD)

Part Nos.	Part Names	Order Nos.	Q'ty/unit
400	Heat Exchanger Kit (DV) (SET)	SKJ70BM	1<NRC661-DV>
	Heat Exchanger Kit (OD) (SET)	SKJ70BL	1<NRC661-OD>
401	Thermal Fuse	EVHJ010	1
404	Freeze Prevention Heater - Round Short	ERDH003	2
407	Freeze Prevention Heater - Double Round (SET)	SKJ70BJ	1
408	High Limit Switch	ELVH002	1
410	Water Flow Sensor (SET)	EBTD041	1
412	Water Servo -Main (SET)	JDWD001	1
413	Outlet Water Connection	EVRD003	1
414	Inlet Water Connection (SET)	EVRD001	1
415	Thermistor - Hot Water	BWCD096	1
416	Drain Cock	CRUD003	1
417	Wire Cover - Servo	EBTD023	1
418	O-Ring - Thermistor High Temp P4	1323709	3
419	Thermistor Holding Plate	ALSD088	2
420	Magnetic Sensor - Flow Sensor	BWCD090	1
421	Thermistor - Cold Water	EBTD047	1
424	Thermistor -Heat Exchanger	BWCD098	1
426	Water Filter Cap	DTJD006	1
427	Water Filter	EGBD032	1
428	Safety Relief Valve	SAA2811	1
430	O-Ring - High Temp P9	SAD6635	1
432	O-Ring - High Temp P3	SAD6633	1
433	O-Ring - High Temp P12.5	3359808	3
434	"C" Clamp - Water Pipe 13-22	SAD6537	3
435	"C" Clamp - Water Pipe 16A	6340300	2
437	"C" Clamp - Thermistor	CRUD055	1
438	Clamp - Thermal Fuse	EVHH004	5
439	Clamp -Freeze Prevention	EVSH001	1
440	"C" Clamp - Water Pipe 16-25	SAD6593	1
441	O-Ring - High Temp P16	3223302	4
447	Clip - Harness	HGKL015	1
448	Clamp - Harness	SAB2774	2<NRC661-DV>
449	Drain Hose - Condensate	EVRF042	1
450	Drain Hose - SS HEX	EVHF041	1
451	Drain Hose - Neutralizer / Condensate Container	EVHF043	1
454	Drain Connection - Condensate	EPHF001	1
455	Drain Connection - Neutralizer / Condensate Container	EMDF309	1
456	Condensate Container (SET)	EVRF031	1
457	Pipe - Flow Sensor to SS Heat Exchanger	EVHD011	1
459	Wiring Harness - Water Level Electrode	EVRJ021	1
463	Cover - Water Level Electrode	EVHA017	1
464	Clamp - Container Hose φ8	EMUD005	2
472	Heat Exchanger Kit - Secondary SS (DV) (SET)	SKJ70BP	1<NRC661-DV>
	Heat Exchanger Kit - Secondary SS (OD) (SET)	SKJ70BN	1<NRC661-OD>
473	Exhaust Box	EVSF101	1<NRC661-DV>
474	Gasket - Exhaust Box	EVSL001	1<NRC661-DV>
475	Gasket - Secondary Heat Exchanger	EVJL003	1
477	Clamp - Container Hose φ15.5	SAD6678	4
478	Thermistor - Exhaust	ETHH002	1<NRC661-DV>
479	Gasket - Exhaust Thermistor	ETHL004	1<NRC661-DV>
480	Packing - Exhaust Thermistor	ETHL006	1<NRC661-DV>
481	Gasket - Exhaust (OD)	DJPL007	1<NRC661-OD>
483	Freeze Prevention Heater	EVRH002	1<NRC661-DV>
484	Freeze Prevention Heater - Condensate Container	ETHH004	1<NRC661-OD>
491	Screw - Round Head Medium Tapping M4X10 S305		
492	Screw - Short Machined M4X6 S410		
493	Screw - Long Machine M4X12 S410		
494	Screw - Round Head Medium Tapping M4X10 S410		
495	Screw - Small Tapping M4X20		

Please visit <http://support.noritz.com/>,
if you would like to get more details or
other informations.

Electronic control unit NRC661(-DV.-OD)

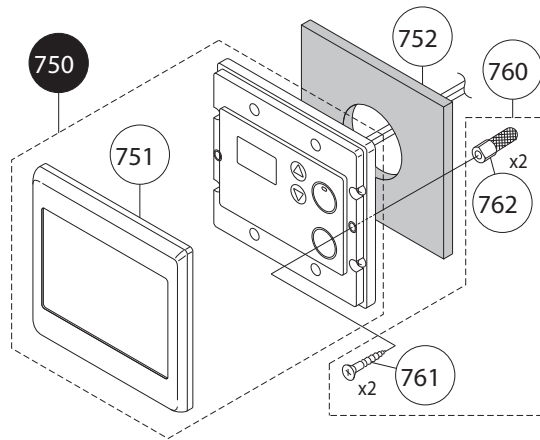


Electronic control unit NRC661(-DV.-OD)

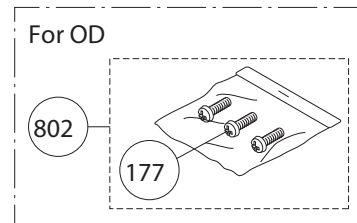
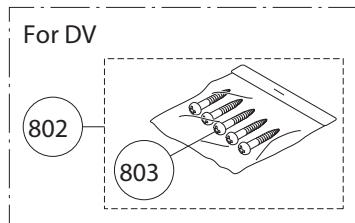
Part Nos.	Part Names	Order Nos.	Q'ty/unit
700	Circuit Board	SHC701L	1
701	Circuit Board	SHC701M	1
702	Cover - Circuit Board	EVHA015	1
705	Wiring Harness - NRC661-DV	EVS J011	1 <NRC661-DV>
	Wiring Harness - NRC661-OD	EVRJ011	1 <NRC661-OD>
706	Power Supply Cord	ERUJ001	1 <NRC661-DV>
707	Wire Clamp - Nylon	7287909	2 <NRC661-DV>
	Wire Clamp - Nylon	7287909	1 <NRC661-OD>
708	Label - Circuit Board Plastic Cover	EVRK006	1
731	Screw - Remote Terminal Cover M4X12 S410		

Remote controller,Attached set NRC661(-DV.-OD)

Remote controller
RC-7651M-ENG



Attached set

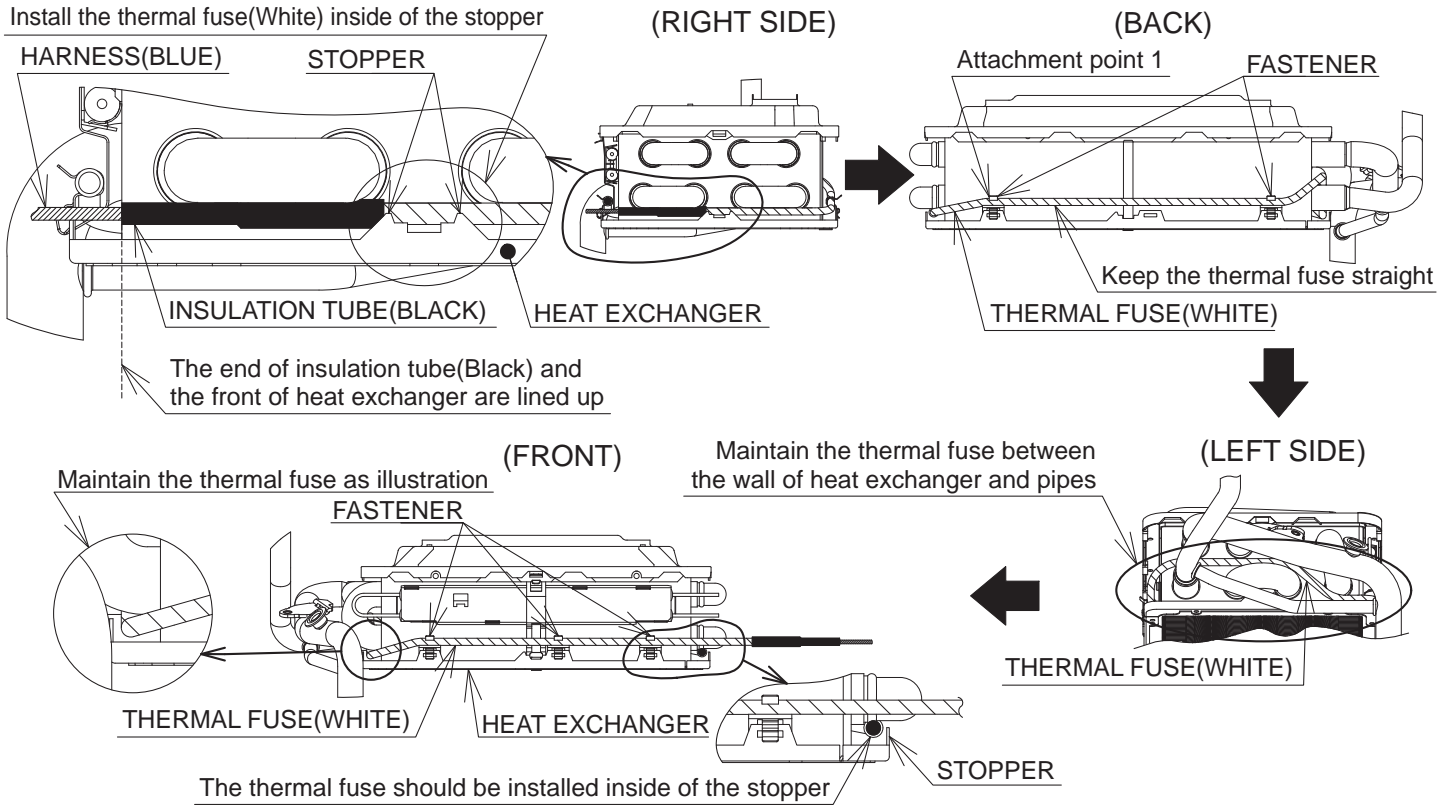


<Special part>

Special part	Special part no.
Owner's guide	888
Installation manual	889

※ To request a French version of the Owner's guide or Installation manual, contact Noritz America.

Thermal Fuse Installation Procedure



Install the thermal fuse following the below procedure.

1. Begin the installation by attaching the thermal fuse to the right side of the heat exchanger.
2. Bend the thermal fuse to the back of the heat exchanger and fixing the thermal fuse by the fastener at attachment point 1 as indicated in the above illustration.
3. Continue wrapping the thermal fuse around the heat exchanger securing it at each attachment point using the fasteners shown in the above illustrations.

Caution

The thermal fuse may snap if it is twisted, pinched or bent too sharply. Do not bend the thermal fuse to a radius of less than 1.25".

Freeze Prevention Heater Installation Procedure

Please check the present position and re-install to the original position.
Install the freeze prevention heater according to following illustrations.

