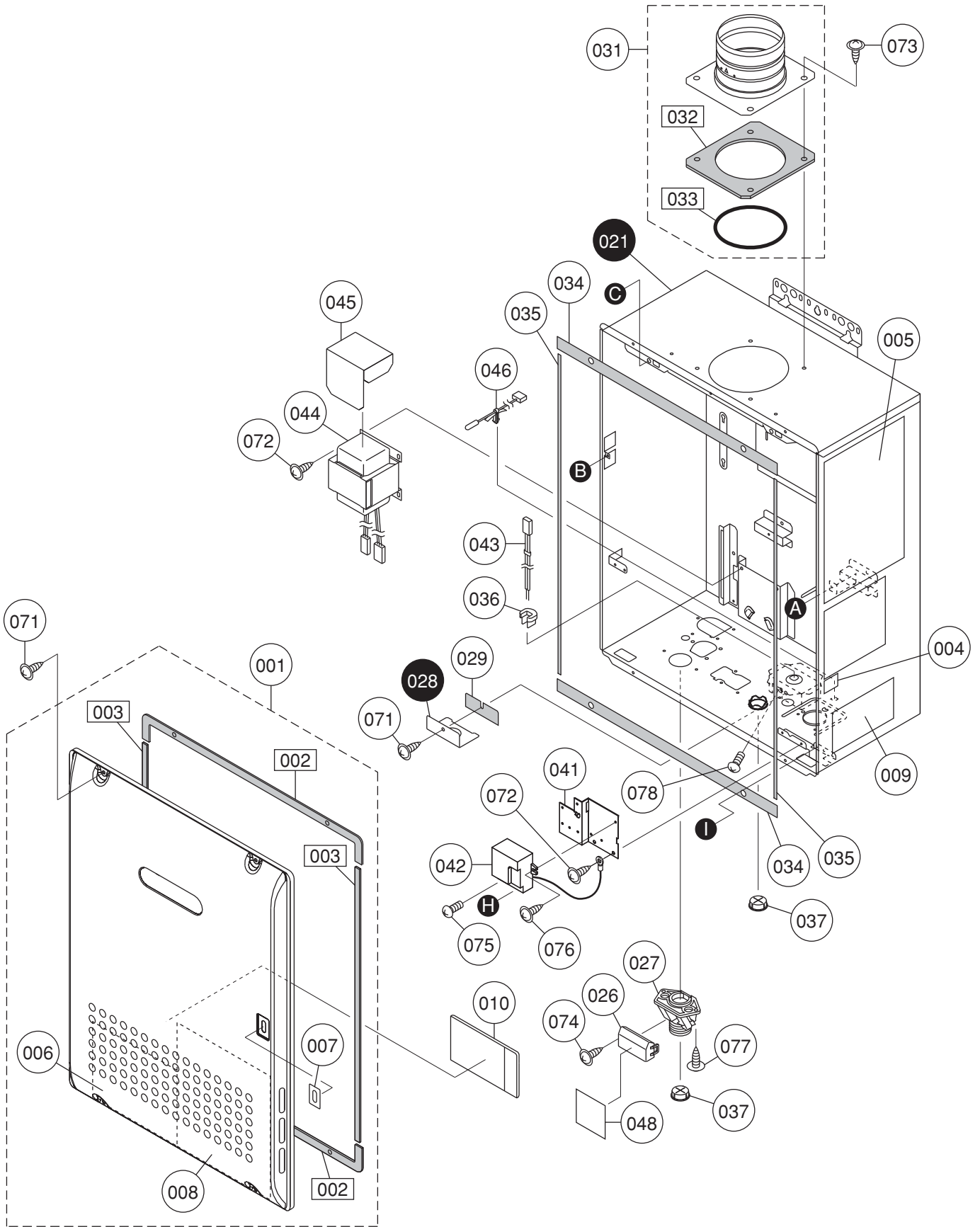
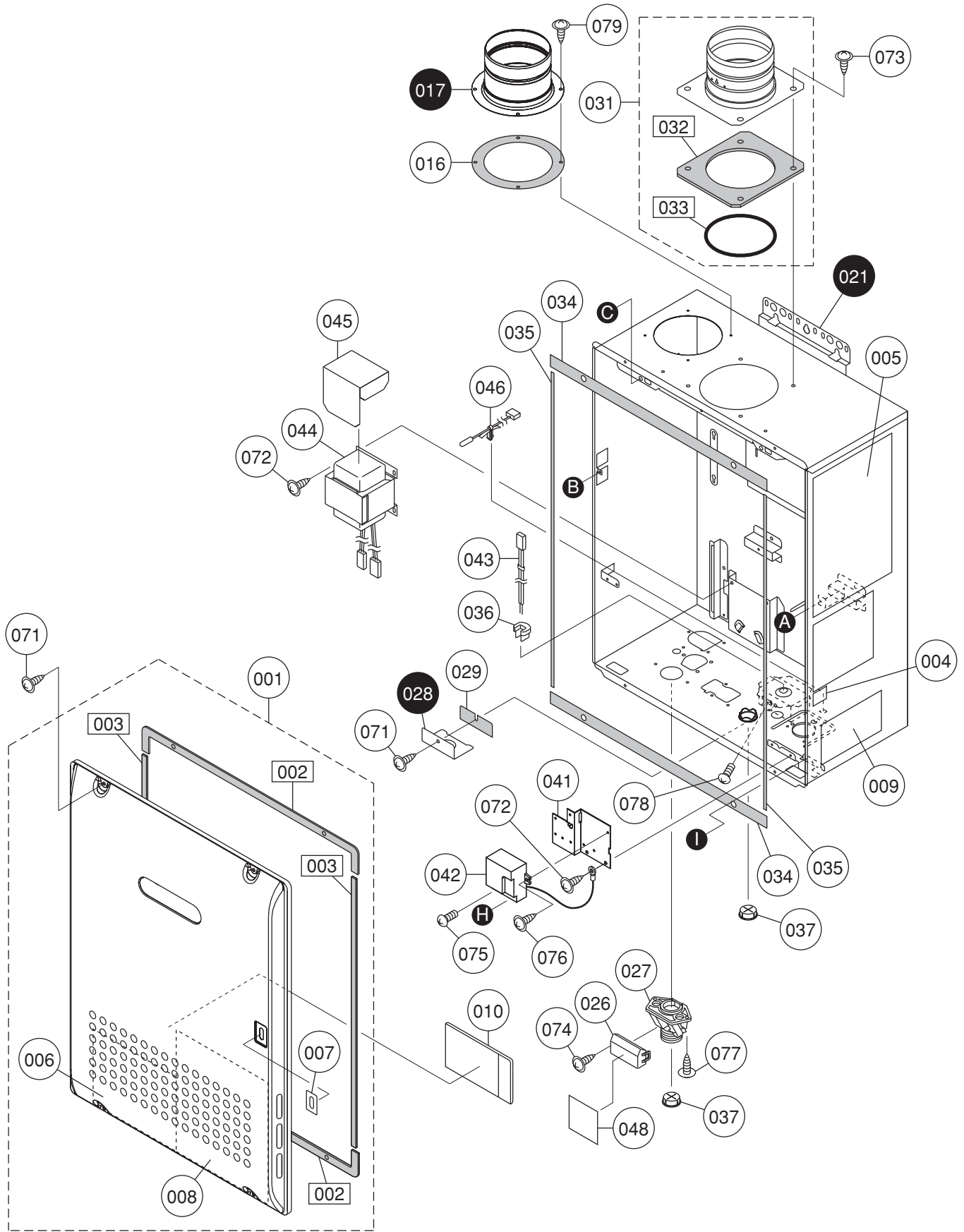


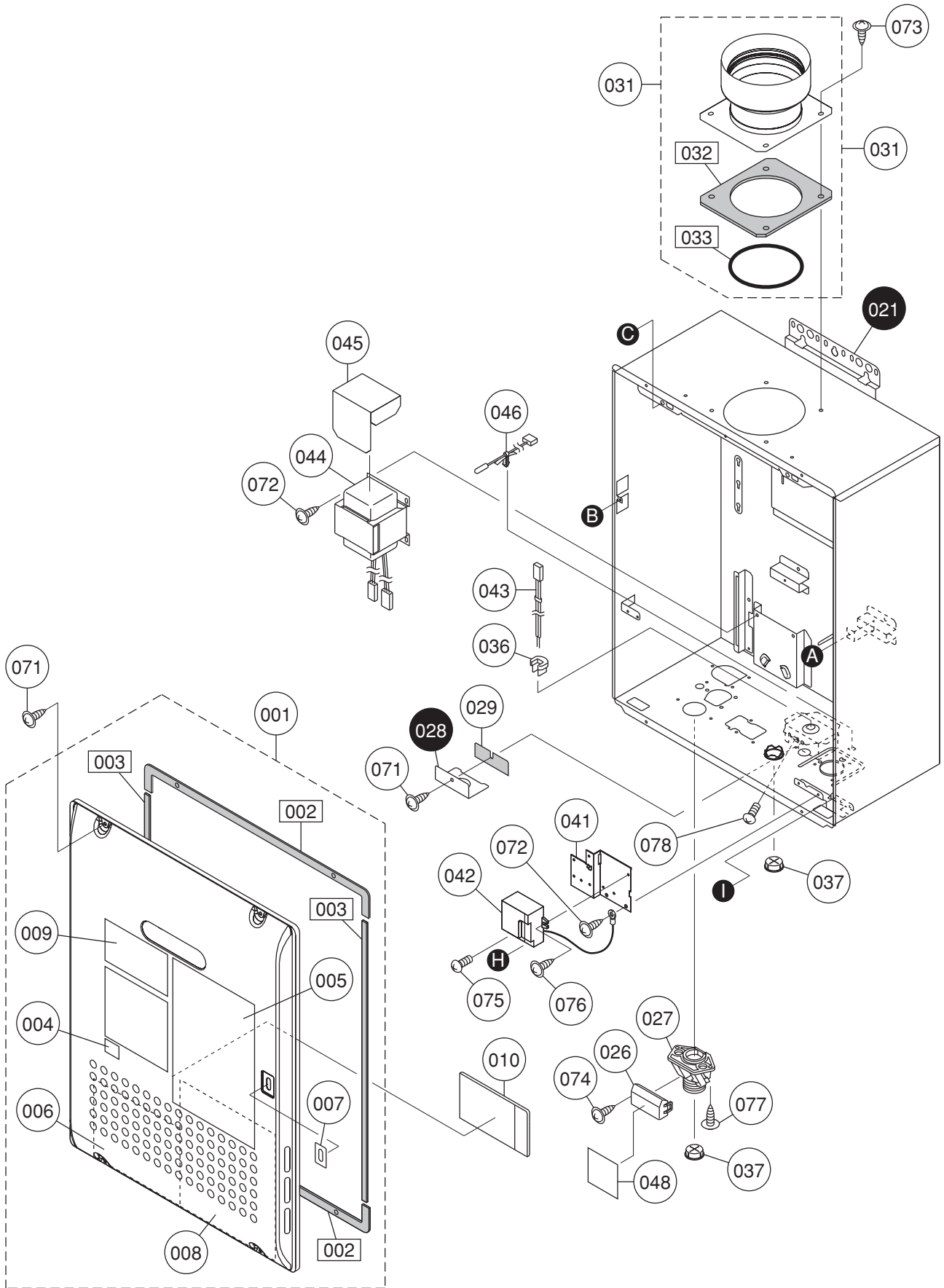
External outfitting NCC199-SV



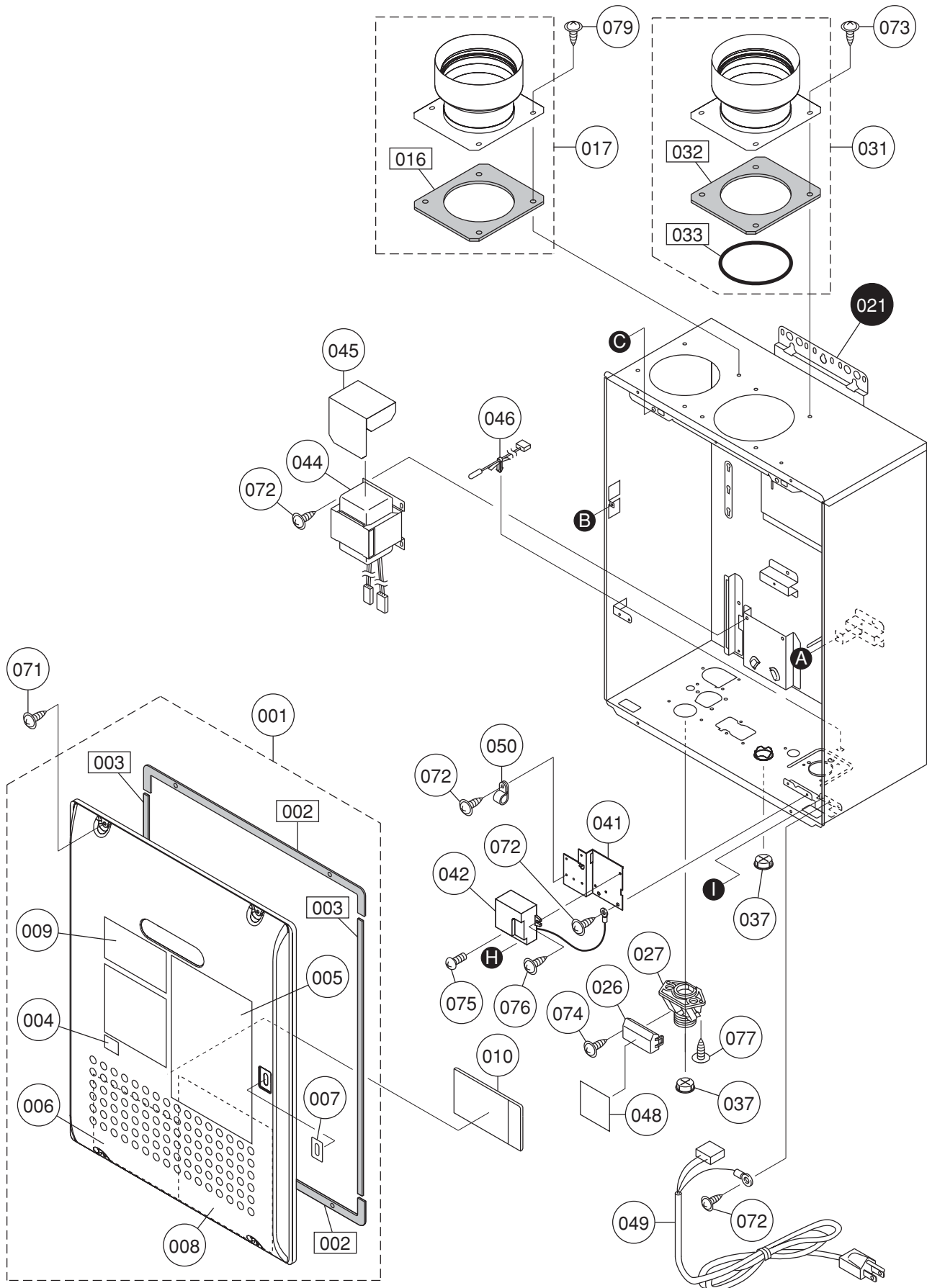
External outfitting NCC199-DV



External outfitting NRC111-SV



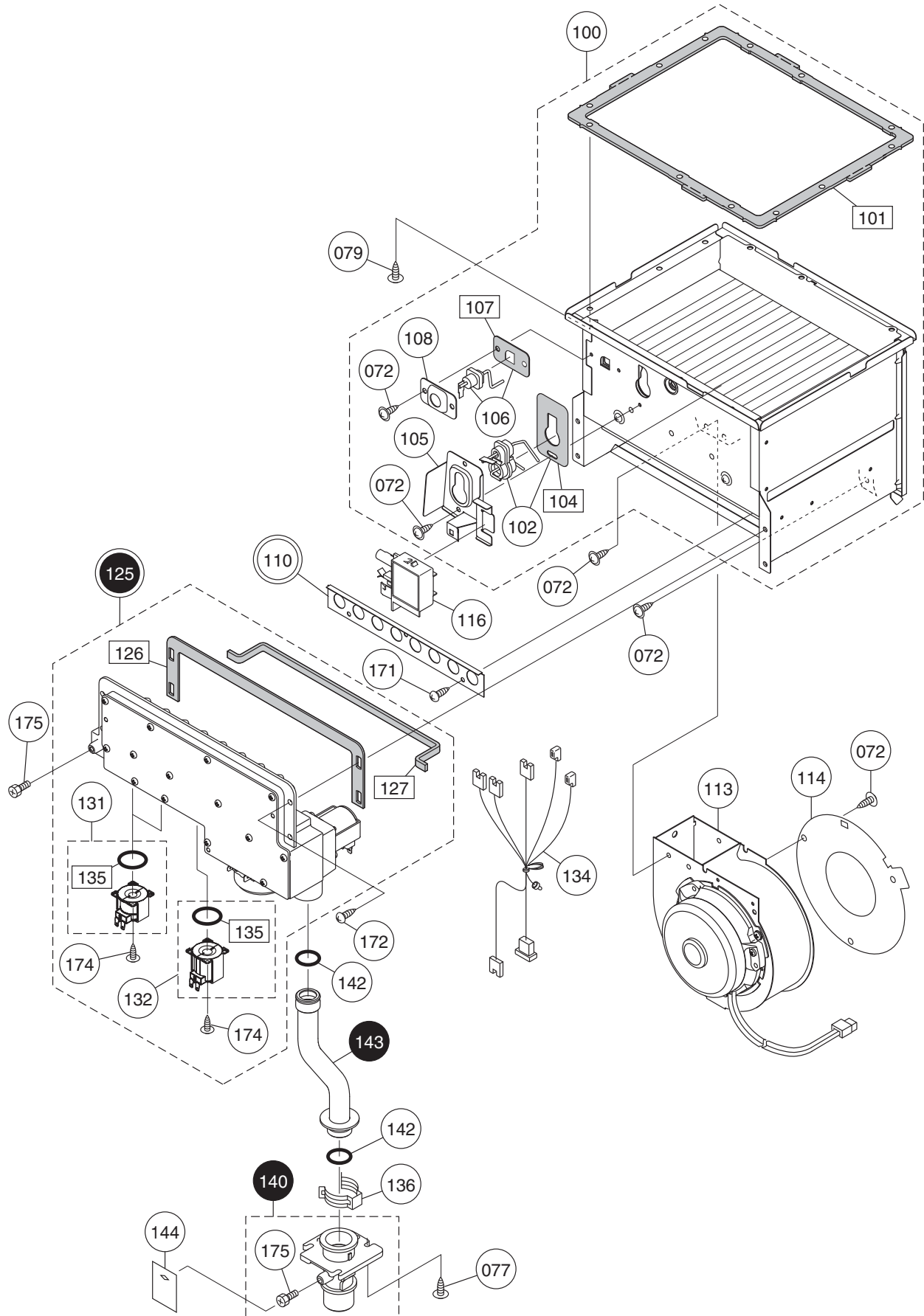
External outfitting NRC111-DV



External outfitting NCC199-SV,NCC199-DV,NRC111-SV,NRC111-DV

Part Nos.	Part Names	Order Nos.	Q'ty/unit
001	NCC199-SV Front set-AS NCC199-DV Front set-AS NRC111-SV Front set-AS NRC111-DV Front set-AS	SKF7376 SKF7377 SKF7378 SKF7379	1<NCC199-SV> 1<NCC199-DV> 1<NRC111-SV> 1<NRC111-DV>
002	Front packing S AAP	AAPL015	2
003	Front packing L AAP	AAPL017	2
004	Energy star mark label ENJ	ENJK071	1
005	Caution label ENG ELV	ELVK003	1
006	Caution label FRE ELV	ELVK006	1
007	Lamp seal plate ENK	ENKK002	1<NCC199-SV>
	Lamp seal plate DEC	DECK008	1<NCC199-DV> 1<NRC111-SV> 1<NRC111-DV>
008	Connection diagram label ESG	ESGK005	1
009	Rating plate 2 H EMT	EMTK004	1<NCC199-SV>
	Rating plate 2 DV(FF) EMT	EMTK010	1<NCC199-DV>
	Rating plate 2 H ELV	ELVK004	1<NRC111-SV>
	Rating plate 2 DV(FF) ELV	ELVK010	1<NRC111-DV>
010	Parts list sheet set ESG	ESGK031	1
016	Intake pipe packing EHK	EHLK084	1<NCC199-DV>
	Intake pipe packing ERF	SKF7147	1<NRC111-DV>
017	Intake pipe ELE	ELEF001	1<NCC199-DV>
	Intake pipe J ERF	ERFF021	1<NRC111-DV>
021	Case set H ENJ	ENJA001	1<NCC199-SV>
	Case set DV ENJ	ENJA021	1<NCC199-DV>
	Case set H ERF	ERFA001	1<NRC111-SV>
	Case set DV ERW	ERWA001	1<NRC111-DV>
026	External connection terminal block cover DNS	DNSA025	1
027	External connection terminal block set DNS	DNSA026	1
028	Junction box cover (SUS ENJ)	ENJA015	1<NCC199-SV>
	Junction box cover packing ENW	ENWL005	1<NCC199-DV> 1<NRC111-SV> 1<NCC199-SV> 1<NRC111-SV>
031	Exhaust adapter H ENJ	ENJF011	1<NCC199-SV>
	Exhaust adapter J ERF	ERFF011	1<NCC199-DV> 1<NRC111-SV>
032	Flange packing ENJ	SKD7467	1<NRC111-DV> 1<NCC199-SV>
	Exhaust adapter J packing ERF	SKF7149	1<NCC199-DV> 1<NRC111-SV> 1<NRC111-DV>
033	O-ring φ 100 for AS	SKD7469	1
034	Guard packing side EMT	EMTA008	2<NCC199-SV>
035	Guard tape 590 EMT	EMTA009	2<NCC199-DV> 2<NCC199-SV> 2<NCC199-DV>
036	Cord bushing SR-5P-4	SAE6198	1<NCC199-SV> 1<NCC199-DV>
	Grommet CXP	CXPA026	1<NRC111-SV> 2
041	Mounting plate for terminal block DZT	DZTA006	1
042	Lightning protection ELV	ELVJ101	1

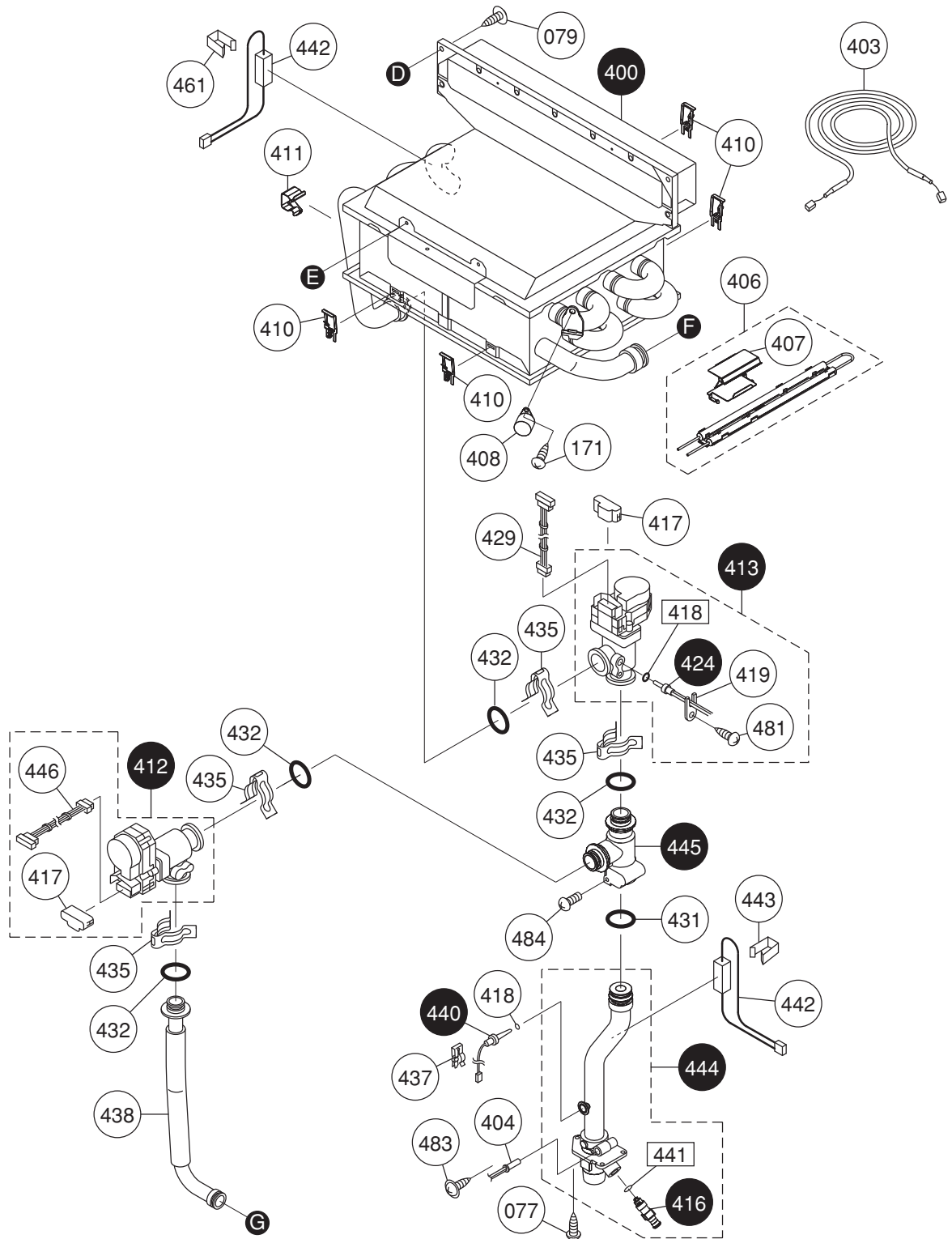
Combustion unit and gas route NCC199-SV,NCC199-DV,NRC111-SV,NRC111-DV



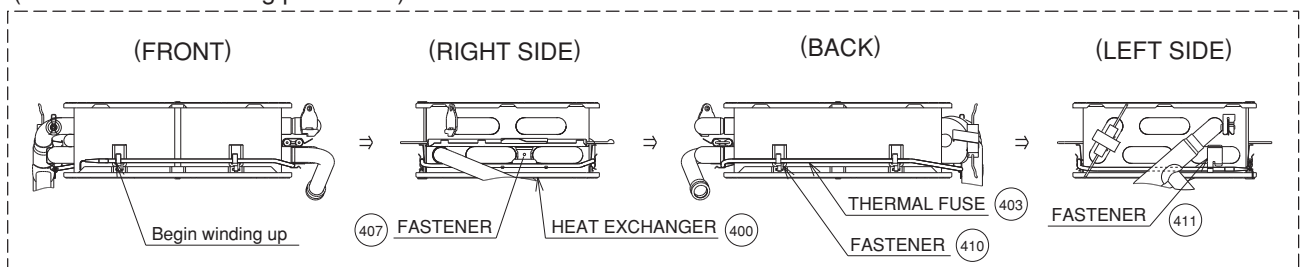
Combustion unit and gas route NCC199-SV,NCC199-DV,NRC111-SV,NRC111-DV

Part Nos.	Part Names	Order Nos.	Q'ty/unit
100	Combustion tube set ELV SET-V	SKC7447	1
101	Suction air joint packing ELV	ELVL001	1
102	Ignition plug ELV & packing EHK SETV	SKC7448	1
104	Plug packing H EHK	EHKL002	1
105	Mounting plate for Plug H EGL	EGLC035	1
106	Flame rod ELV & packing DJP SETV	SKC7449	1
107	Sensor packing DJP	DJPL004	1
108	Sensor fixing plate DJP	DJPC012	1
110	Main damper 9-10 ELV	ELVC055	1<NCC199-SV LP> 1<NCC199-DV NG>
	Main damper 11 ELV	ELVC054	1<NRC111-SV LP> 1<NRC111-DV NG> 1<NCC199-DV LP> 1<NRC111-DV LP>
	Main damper 9-10A ELV	ELVC056	1<NCC199-SV NG>
113	Fan motor 110 ENJ(ENG)SET-AS	SKD7441	1
114	Bell-mouth 110 φ56 EHK	EHKF423	1
116	Igniter GP EMU	EMUJ004	1
125	Gas mech. manifold 23 ELV-A SET-AS	SKF7380	1<LP>
	Gas mech. manifold 36 ELV-A SET-AS	SKF7381	1<NG>
126	Manifold seal packing top ELV	ELVL003	1
127	Manifold seal packing bottom ELV	ELVL007	1
131	Solenoid SO9L EBT SET-V	SBP7501	2
132	Solenoid S16 CRU SET-V	SBB7213	1
134	Gas mech. harness ELV	ELVJ018	1
135	O-ring JASO 2030 type 1	SAA6044	3
136	Quick fastener 16B	6340407	1
140	Gas fitting 20A SET ELV	ELVE021	1
142	O-ring P18	2110903	2
143	Manifold pipe ENJ	ENJE007	1
144	Gas fitting label ELV	ELVK005	1
171	Cross recessed round-head N-tapping screw 4X8		
172	Cross recessed round-head type3 EVERTIGHT tapping screw 5X16		
174	Cross recessed round-head SPAK machine screw with guide M4X12		
175	Cross recessed hexagon head machine screw M4X8		

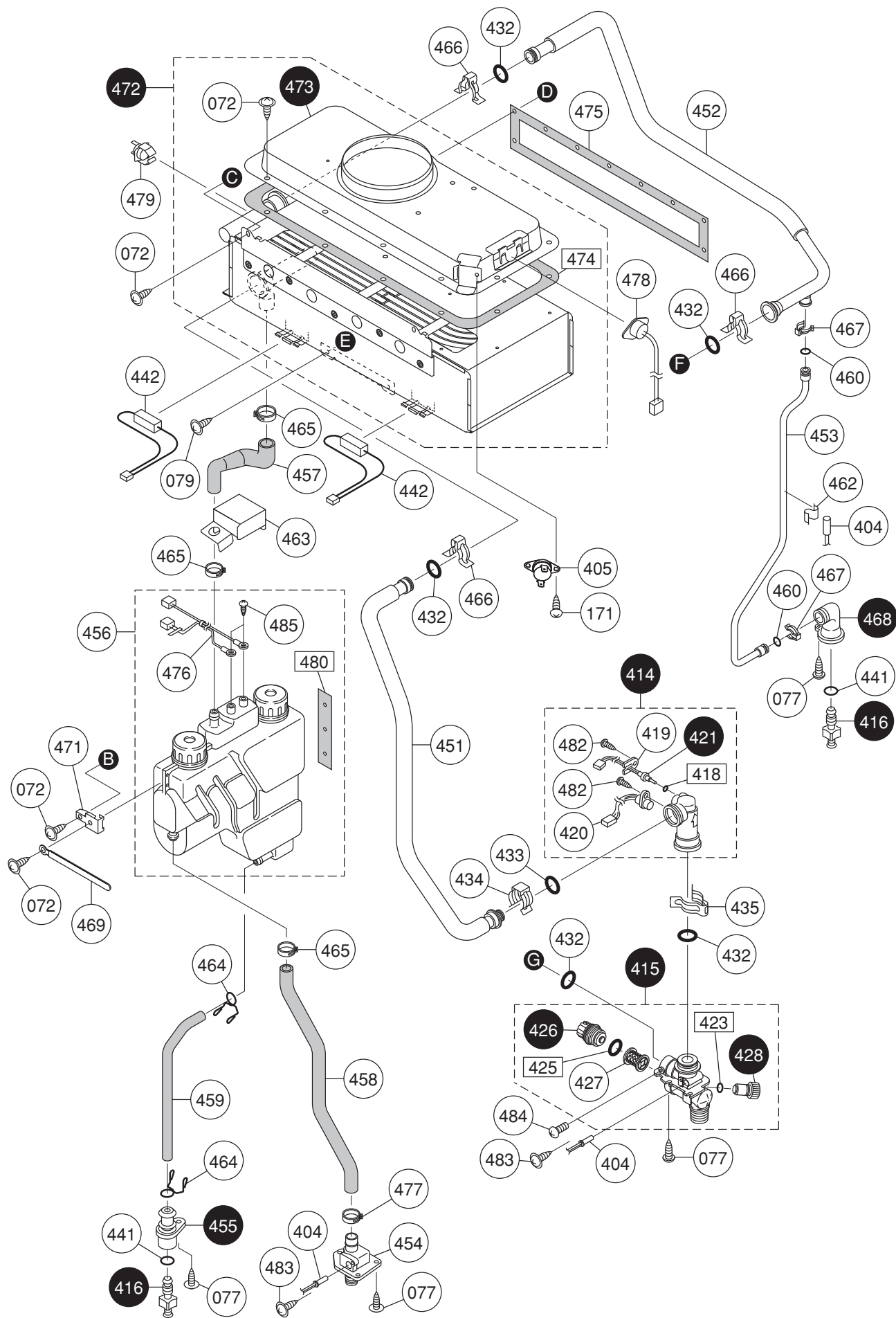
Hot-water feed route-1 NCC199-SV,NCC199-DV,NRC111-SV,NRC111-DV



(Thermal fuse rounding procedure)



Hot-water feed route-2 NCC199-SV,NCC199-DV,NRC111-SV,NRC111-DV



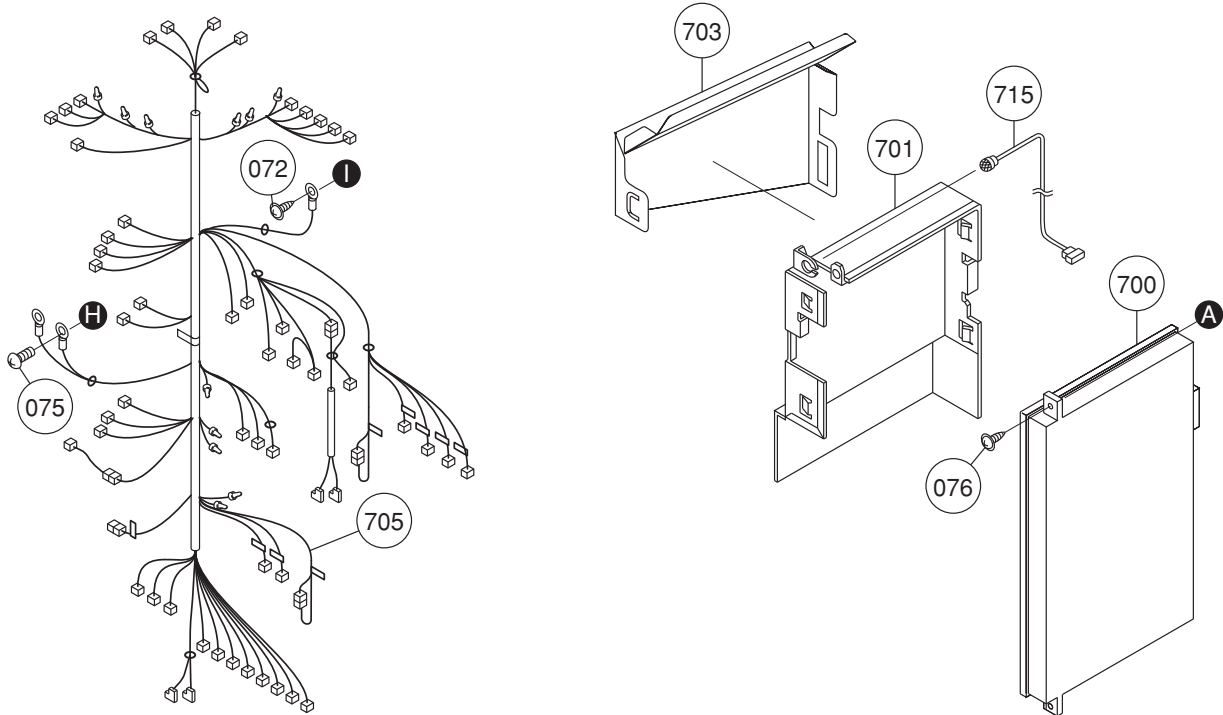
Hot-water feed route-1 NCC199-SV,NCC199-DV,NRC111-SV,NRC111-DV

Part Nos.	Part Names	Order Nos.	Q'ty/unit
400	Heat exchanger & Exhaust box H ENJ SET-AS	SKD7963	1
403	Thermal fuse ELV SET-V	SKC7453	1
404	Freeze preventive heater 3 BGD	BGDH002	4
405	Thermostat BHV	BH VH002	1
406	Freeze preventive heater EBT ELV SETV	SKC7454	1
407	Heater fastener ELV	ELVH018	1
408	Remaining flame safety device 94 ELV	ELVH002	1
410	Thermal fuse fastener EGL	EGLH002	4
411	Thermal fuse fastener for 16 CMN	CMNH003	1
412	Water flow servo set 1 DZT	DZTD010	1
413	Water flow servo set 2 DZT	DZTD011	1
414	Water flow sensor set 3 DUUV	DUVD019	1
415	Water inlet fitting 20A set EJM	EJMD002	1
416	Drain cock CRU	CRUD003	3
417	Waterproof cover CZL	CZLD041	2
418	Chlorinated water-resistant O-ring P4	1323709	3
419	Thermistor holding plate ALS	ALSD088	2
420	Water outlet magnetic sensor BWC	BWCD090	1
421	Water inlet thermistor-300 BWC	BWCD097	1
423	Hot-water resistant O-ring P9	SAD6635	1
424	Heat exchanger thermistor-300 BWC	BWCD098	1
425	O-ring 16DF BRQ	BRQL008	1
426	Water filter cover DTJ	DTJD006	1
427	Water filter (SUS) EGB	EGBD032	1
428	QMF safety valve A(S)	SAA2811	1
429	Conduit 86 DZT	DZTJ008	1
431	Chlorinated water-resistant O-ring P22	7573308	1
432	Chlorinated water-resistant O-ring P16	3223302	9
433	Chlorinated water-resistant O-ring P12.5	3359808	1
434	Quick fastener 12.7	6340202	1
435	Quick fastener 16A	6340300	5
437	Sensor fastener CRU	CRUD055	1
438	Bypass pipe ENJ	ENJD005	1
440	Hot-water thermistor-300 BWC	BWCD096	1
441	Hot-water resistant O-ring P3	SAD6633	3
442	Freeze preventive heater 2 BGD	BGDH005	4
443	Heater fastener 22.2 ELV	ELVL011	1
444	Hot-water feed pipe ENJ	ENJD003	1
445	Mixing room ELW	ELWD005	1
446	Servo motor cable conduit (86) DZT	DZTJ009	1
451	Water inlet pipe ENJ	ENJD001	1
452	Heat exchanger connecting pipe ENJ	ENJD007	1
453	Drain pipe ENJ	ENJD009	1
454	Drain coupling ENJ	ENJF024	1
455	Draining coupling EMD	EMDF309	1
456	Neutralizer set ENJ SET-V	SKD7466	1
457	Drain hose ENJ	ENJF021	1
458	Drain hose 2 ENJ	ENJF022	1
459	Water drain hose of neutralizer ENJ	ENJF023	1
460	Chlorinated water-resistant O-ring P6	3264408	2
461	Heater fastener LL CPL	CPLL002	1
462	Heater fastener DLK	DLKH005	1
463	Neutralizer electrode cover EMU	EMUA007	1
464	Pin band for ϕ 8 DEG	DEGD004	2
465	Hose clamp NO.39	SAD6531	3

Electronic control unit, Remote controller and Attached set

NCC199-SV,NCC199-DV,NRC111-SV,NRC111-DV

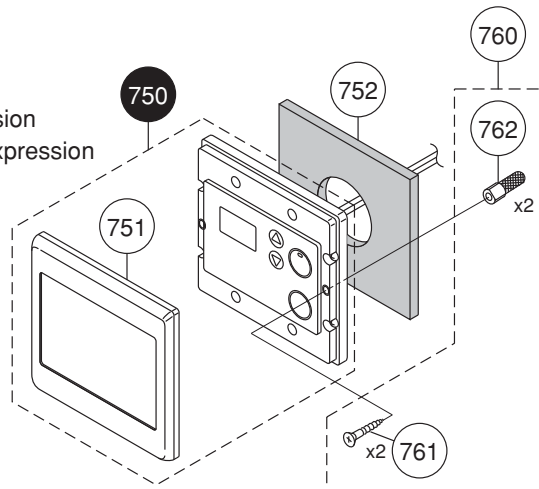
Electronic control unit



Optional

Remote controller RC-7649M-USA

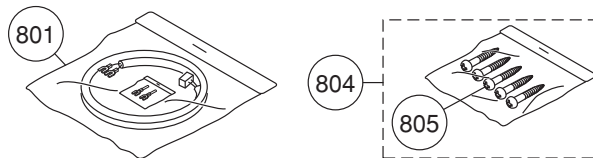
(Temperature: °F Expression
Water Volume: Gallon Expression)



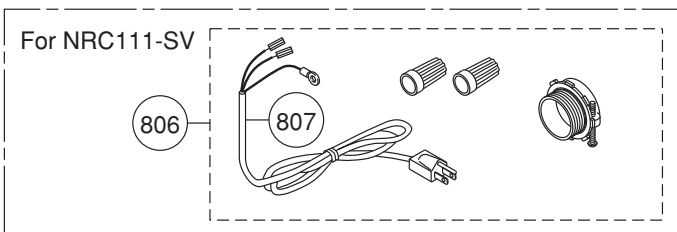
RC-7650M-ENG (For Canada)

(Temperature: °C Expression
Water Volume: Liter Expression)

Attached set



For NRC111-SV



<Special part>

Special part	Special part no.
Owner's guide	888
Installation manual	889

※ To request a French version of the Owner's guide or Installation manual, contact Noritz America.

Electronic control unit, Remote controller and Attached set NCC199-SV,NCC199-DV,NRC111-SV,NRC111-DV

Part Nos.	Part Names	Order Nos.	Q'ty/unit
700	Relay case ENJ-C SET-AS	SHB7032	1
701	Relay case cover DEK	DEKA014	1
703	Relay case waterproof cover ELV	ELVA059	1
705	Harness ENJ	ENJJ002	1
715	Lamp cable conduit CRP	CRPJ014	1
750	RC-7649M body USA QME	QMEJ007	1
	RC-7650M body ENG QXU	QXUJ003	1<For Canada>
751	M Dressed frame body QME	QMEA003	1
752	Wall packing QHU	QHUA115	1
760	Shower remote controller screw set	SAD6448	1
761	Cross recessed round wood screw 4.1X25		
762	Oar plug 6X25		
800	N-0841MC packing set V	SKD7964	1<NCC199-SV>
	N-0751M-DV packing set-V	SKC7340	1<NCC199-DV>
	Gas type label LP for packaging ESC	ESCK008	1<NRC111-SV>
			1<NRC111-DV>
			1<LP>
801	Remote controller cord S SET EAU	EAUM001	1
804	Screw SET(W)	SAB2753	1
805	Cross recessed round-head type 1 tapping screw 5X35		
806	Power supply cord US SET ESC	ESCM001	1<NRC111-SV>
807	Power cord ESC	ESCJ001	1<NRC111-SV>
888	Owner's guide GQ-C3253WZ-H US	SBA8367	1<NCC199-SV>
	Owner's guide GQ-C3253WX-H US	SBA8370	1<NCC199-DV>
			1<NRC111-SV>
			1<NRC111-DV>
889	Installation manual GQ-C3253WZ-H US	SBA8368	1<NCC199-SV>
	Installation manual GQ-C3253WZ-FF US	SBA8369	1<NCC199-DV>
	Installation manual GQ-C3253WX-H US	SBA8371	1<NRC111-SV>
	Installation manual GQ-C3253WX-FF US	SBA8372	1<NRC111-DV>