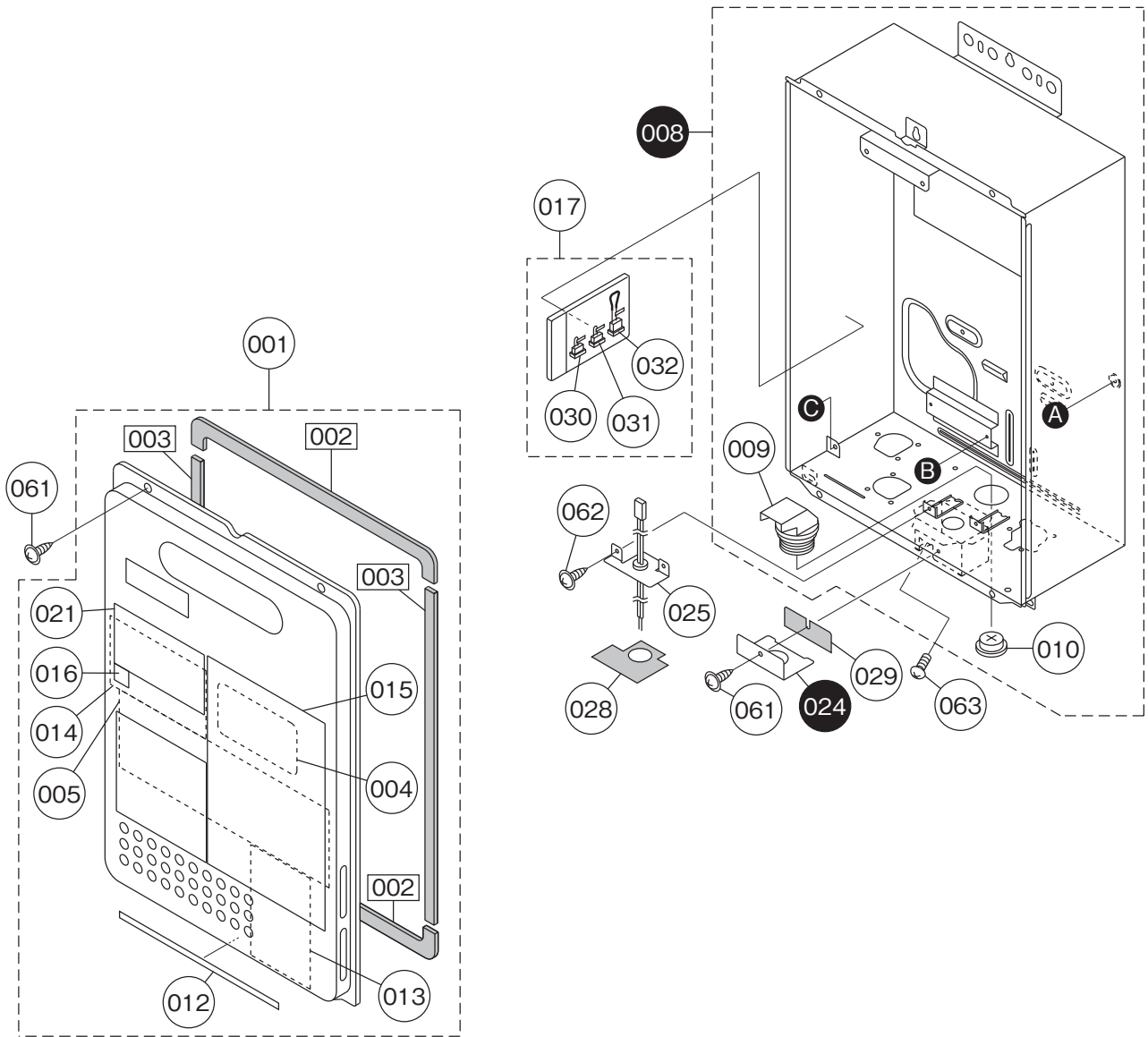
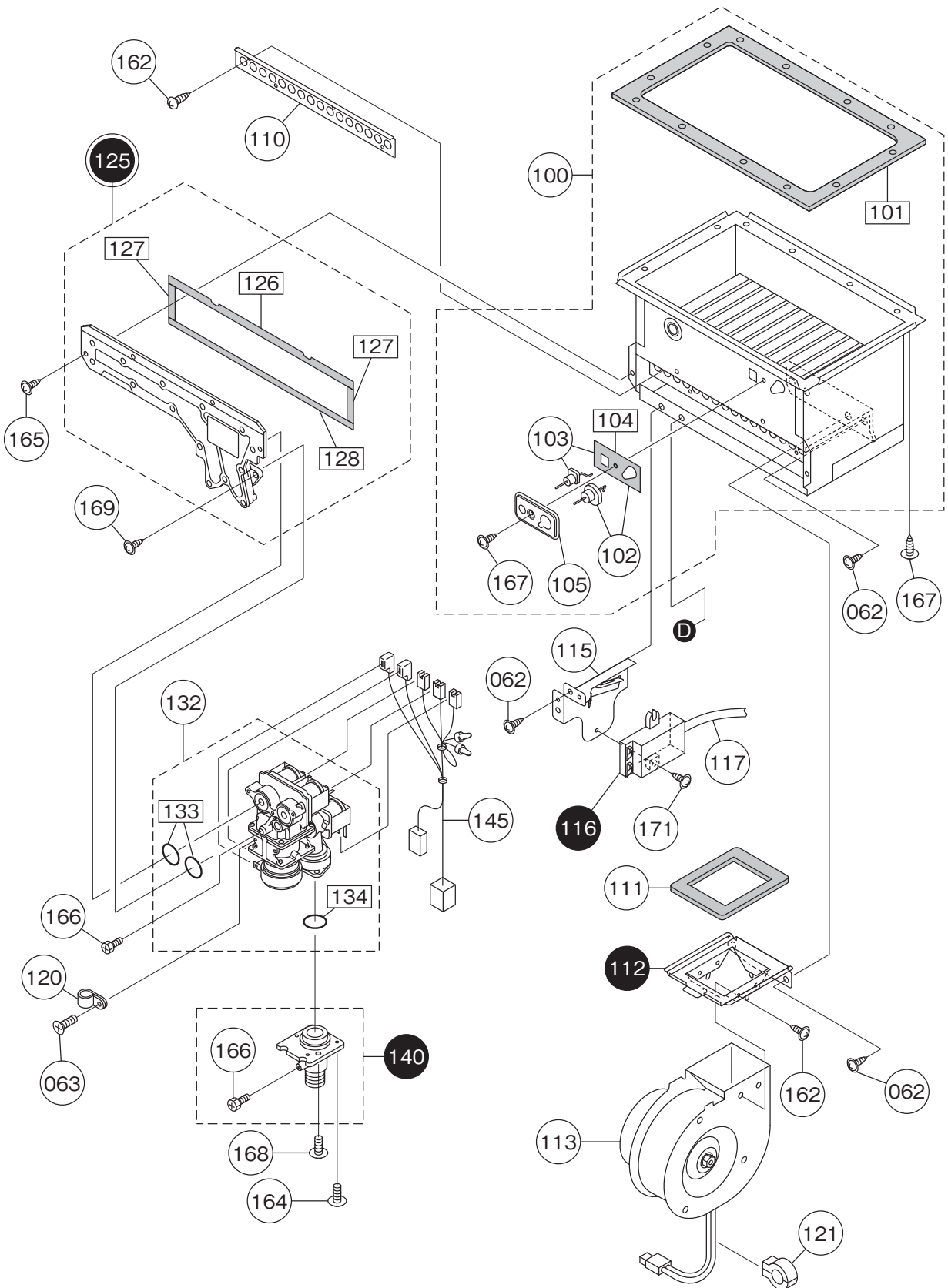


External outfitting NR50-OD



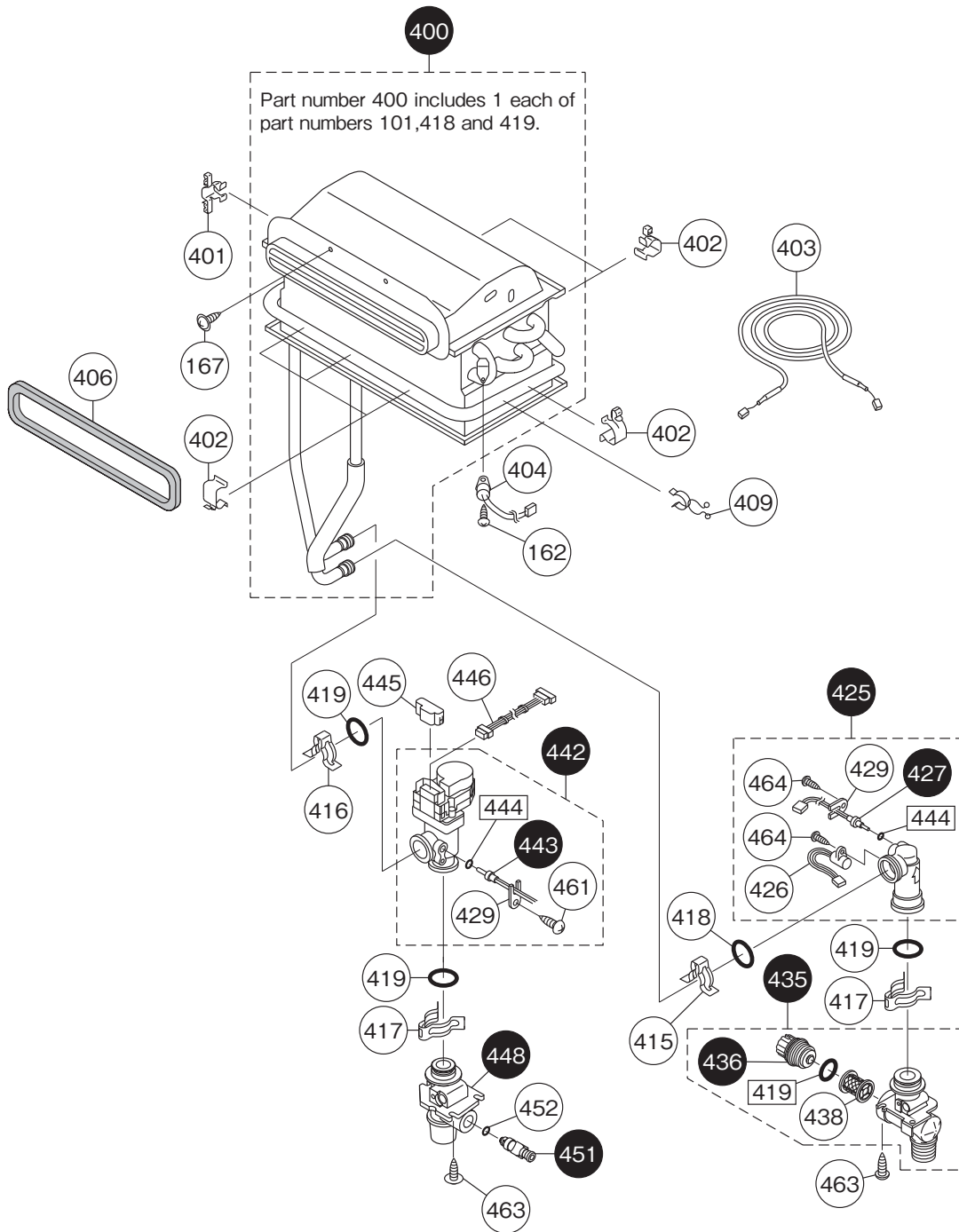
Combustion unit and gas route NR50-OD



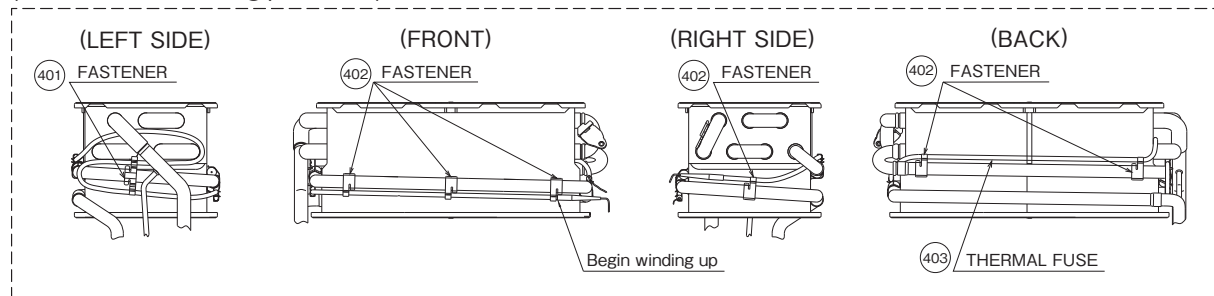
Combustion unit and gas route NR50-OD

Part Nos.	Part Names	Order Nos.	Q'ty/unit
100	Combustion tube set DTX SET-V	SBN7475	1
101	Suction air joint packing DTX	DTXL001	1
102	Ignition plug CZL & packing DLK SETV	SBC7684	1
103	Flame rod & packing DLK SETV	SBC7685	1
104	Plug packing (for B) DLK	SAB2715	1
105	Plug mounting plate (for B) DLK	DLKC029	1
110	Main damper Q11 CRU	CRUC032	1
111	Fan packing Q DTJ	DTJL004	1
112	Fan flange DTX	DTXF035	1
113	Fan motor DTX set-AS(INT)	SKG7768	1
115	Mounting plate for igniter DTJ	DTJA015	1
116	Igniter CRP	CRPJ002	1
117	High-voltage cord L350 ALS	ALSJ079	1
120	Nylon clamp HP-4N (NK-4N)	7287909	1
121	Ferrite core EGH	EGHJ022	1
125	Manifold L15 DTX set-AS	SBC7690	1<LP>
	Manifold L20 DTX set-AS	SBC7691	1<NG>
126	Manifold seal packing top DTX	DTXL005	1
127	Manifold seal packing side DTJ	DTJL007	2
128	Manifold seal packing bottom DTX	DTXL006	1
132	Gas mech. S16D EDN set-V	SBE7833	1
133	O-ring P18 P18	2110903	2
134	O-ring P18 P28	1648306	1
140	Gas fitting 1/2NPT set DTJ	DTJE727	1
145	Conduit R10 set EMW	EMWJ006	1
162	Cross recessed round-head N-tapping screw 4X8 S410		
164	Cross recessed truss machine screw with PW M4X12 S430		
165	Cross recessed round-head type3 EVERTIGHT tapping screw 5X16 S410		
166	Cross recessed hexagon head machine screw M4X8 SM Non-Hexavalent Chromate available, pre-coating		
167	Cross recessed round-head collar N-tapping screw 4X10 S410		
168	Cross recessed round-head machine screw M5X12 S430		
169	Cross recessed round-head SPAK machine screw with guide M4X14S22 Non-Hexavalent Chromate available		
171	Cross recessed round-head collar N-tapping screw 4X12 S410		

Hot-water feed route NR50-OD

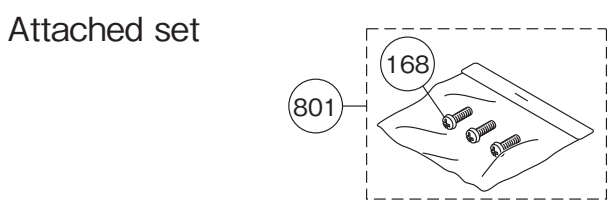
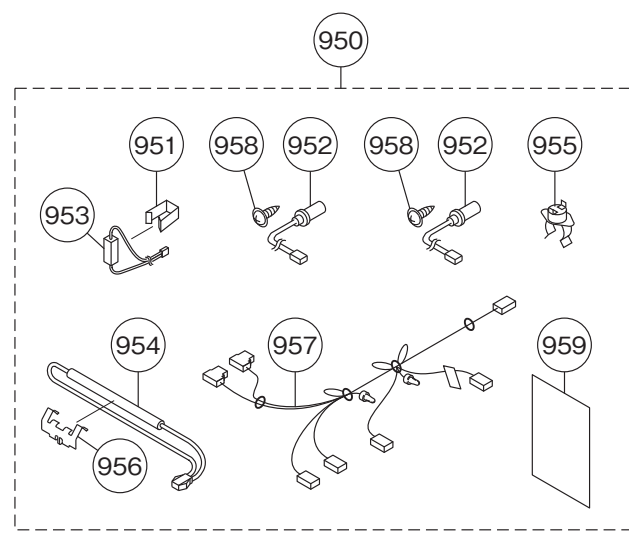
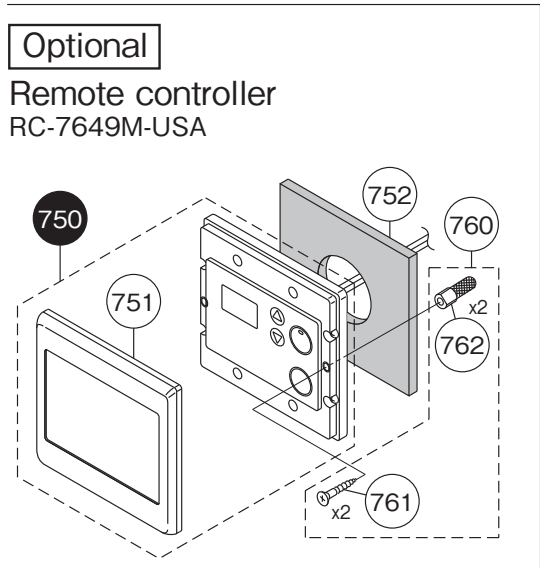
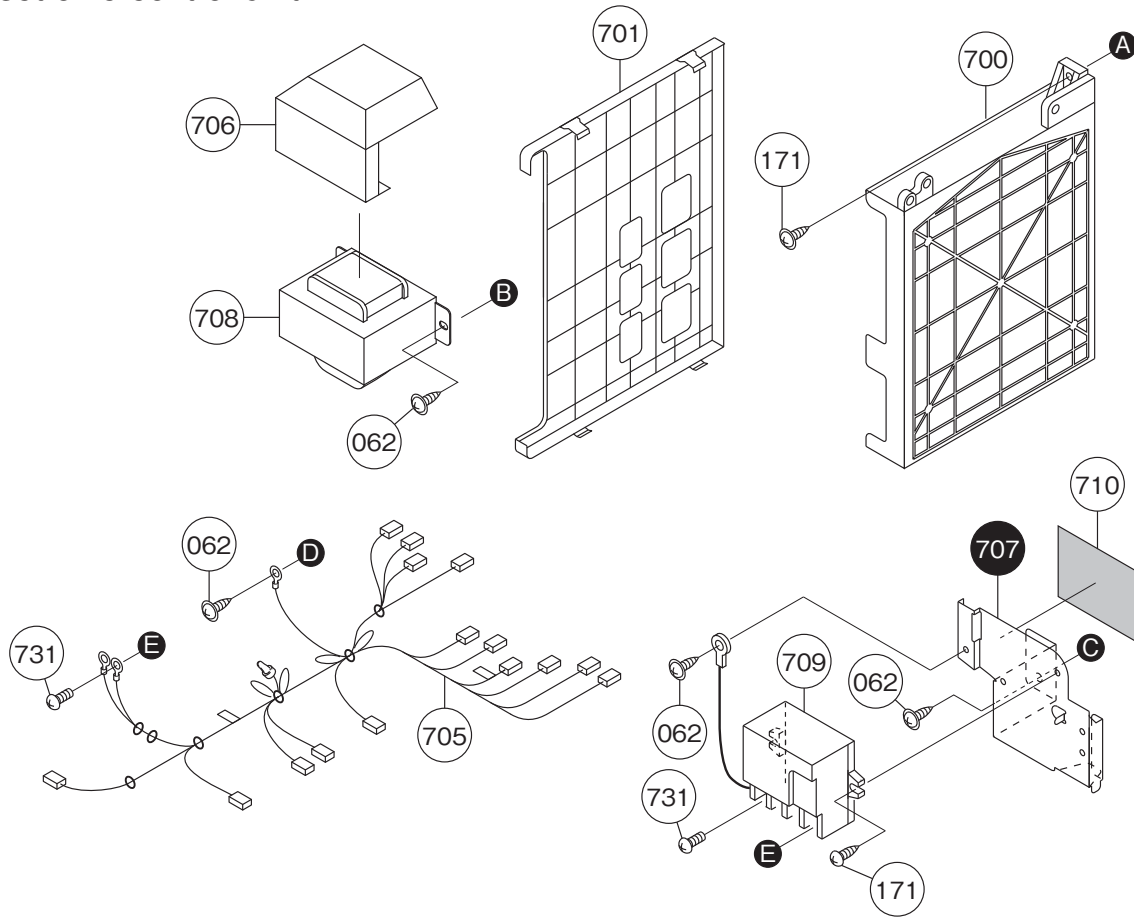


(Thermal fuse rounding procedure)



Electronic control unit, Remote controller and Attached set NR50-OD

Electronic control unit



<Special part>

Special part	Special part no.
Owner's guide	888
Installation manual	889

Electronic control unit, Remote controller and Attached set NR50-OD

Part Nos.	Part Names	Order Nos.	Q'ty/unit
700	Relay case EMW-C SET-AS	SHB7358	1
701	Relay case cover EJB	EJB003	1
705	Harness 16W EUA	EUAJ012	1
706	Transformer cover DJP	DJPA054	1
707	Current leakage safety device fixed set DTJ	DTJA017	1
708	Transformer EDN	EDNJ006	1
709	Lightning arrester ELV	ELVJ101	1
710	Waterproof cover DTJ	DTJL009	1
731	Cross recessed blind machine screw M3.5X6 S430		
750	RC-7646M body USA QME	QMEJ007	1
751	M Dressed frame body QME	QMEA003	1
752	Wall packing QHU	QHUA115	1
760	Shower remote controller screw set	SAD6448	1
761	Cross recessed round wood screw 4.1X25 S305		
762	Oar plug 6X25		
800	GQ1637WS US packing set V	SKG7769	1
801	PS3 Screw SET	SAB2286	1
888	Owner's guide GQ2037/2437WS US#A	SBA8654	1
889	Installation manual GQ2037/2437WS US#A	SBA8655	1
950	GQ1637 US Freeze prevention heater set-V	SKG7772	1
951	Heater fastener M AJB	AJBL002	1
952	Freeze prevention heater 3 BGD	BGDH002	2
953	Freeze prevention heater 2 BGD	BGDH005	1
954	Freeze prevention heater Q CRP	CRPH003	1
955	Thermostat set DJP	DJPH003	1
956	Heater fastener EHK	EHKH001	1
957	Heater harness EUA	EUAJ030	1
958	Cross & straight recessed truss type3 S TIGHT tapping screw 4X6 S410		
959	Freeze preventive heater AS Installation manual	SKG7787	1