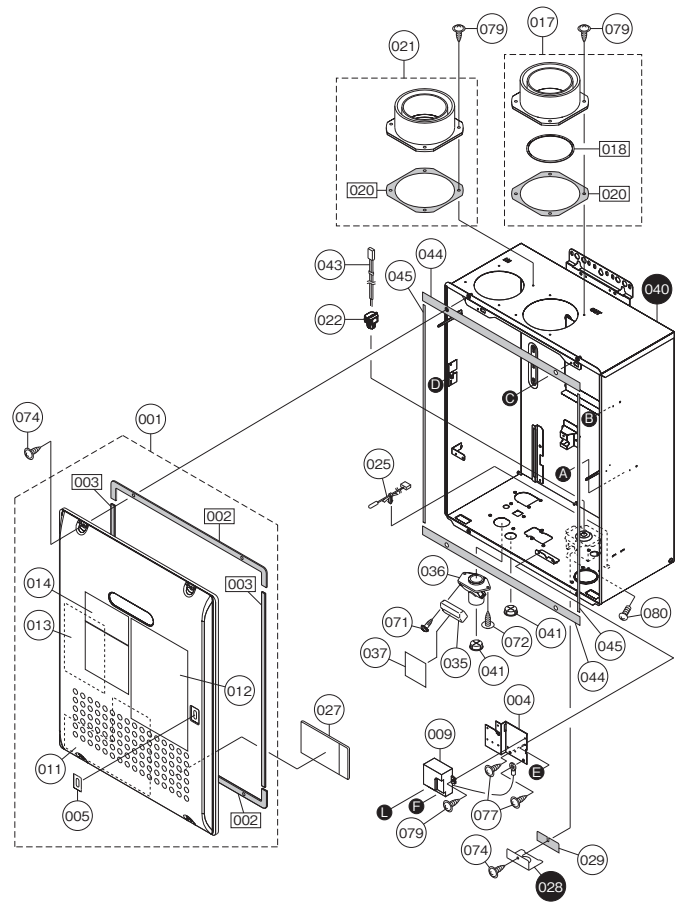
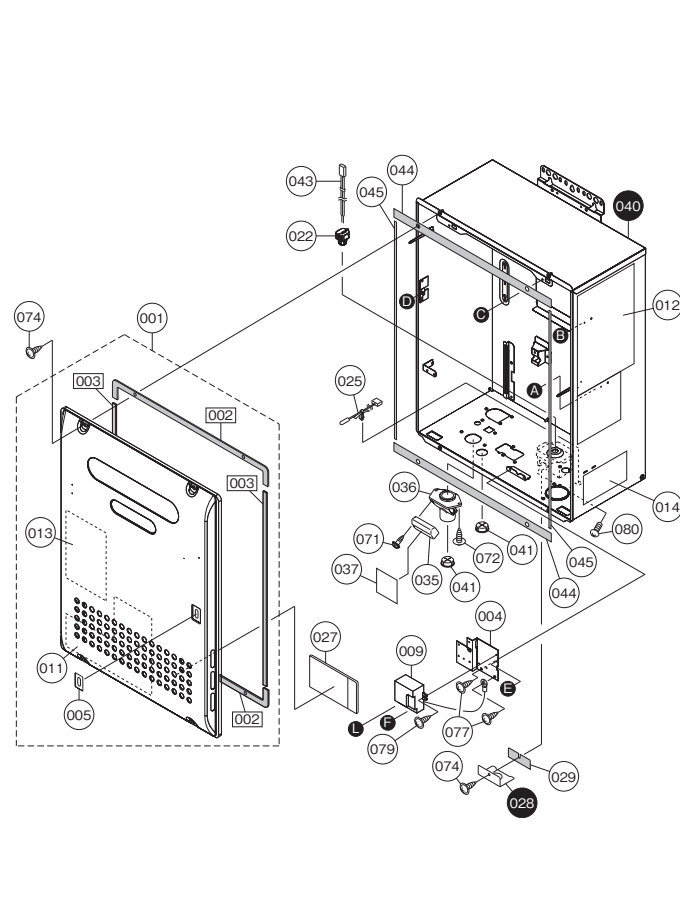


External outfitting NCC199DV (GQ-C3257WZ-FF US)



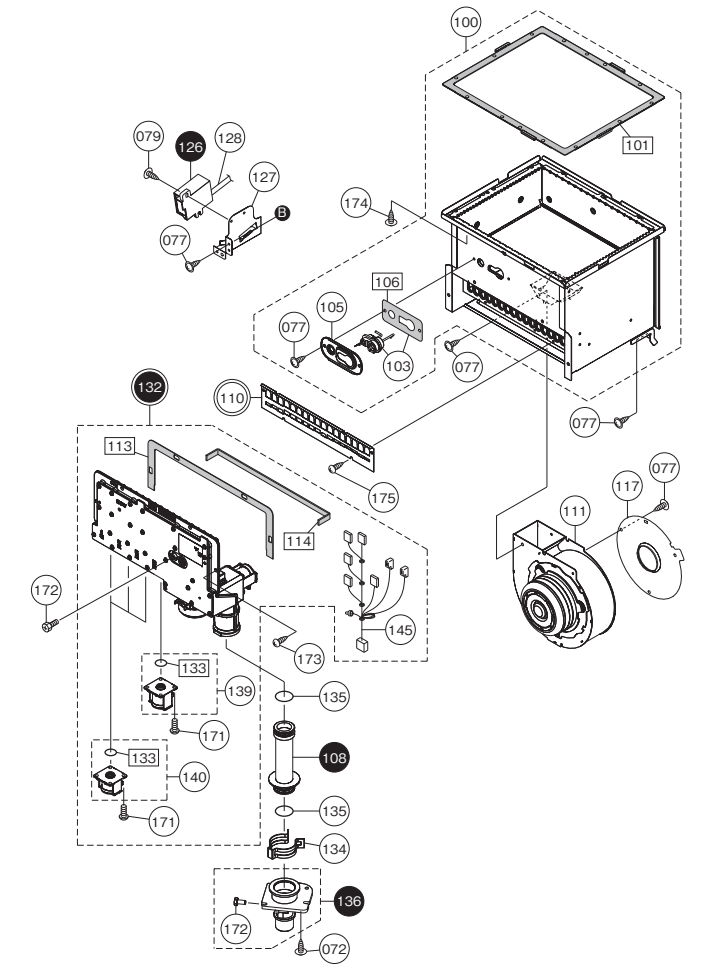
External outfitting NCC1990D (GQ-C3257WZ US)



External outfitting NCC199DV (GQ-C3257WZ-FF US)
NCC1990D (GQ-C3257WZ US)

Part Nos.	Part Names	Order Nos.	Qty/unit
001	Front Cover - NCC199DV (GQ-C3257WZ-FF US)	SKJ71JG	1<GQ-C3257WZ-FF US>
002	Front Cover - NCC1990D (GQ-C3257WZ US)	SKJ71JF	1<GQ-C3257WZ US>
003	Gasket - Front Cover Top and Bottom	AAPL015	2
004	Gasket - Front Cover Sides	AAPL017	2
005	Mounting Plate - Terminal Block and/or GFCI	DZTA006	1
009	Sight Glass Window	ENKK002	1
011	Lightning Protection	ERDJO11	1
011	Wiring Diagram	EYSK001	1
012	Label - Outside Front Cover Caution Label	ELVK003	1
013	Label - Inside Front Cover Caution Label	ELVK006	1
014	Label - Name Plate	ELVK010	1<GQ-C3257WZ-FF US>
017	Label - Name Plate	ELVK009	1<GQ-C3257WZ US>
017	Exhaust Flue w/ O-Ring and Gasket (SET)	ETHF021	1<GQ-C3257WZ-FF US>
018	O-Ring - Exhaust Flue Φ92	ETHF025	1<GQ-C3257WZ-FF US>
020	Gasket - Exhaust Flue	ETHF024	2<GQ-C3257WZ-FF US>
021	Intake Flue w/ Gasket (SET)	ETHF031	1<GQ-C3257WZ-FF US>
022	Inlet Power Wire Clip	ETPA073	1
025	Thermistor - Air	BWCH003	1
027	Parts List/Technical sheet	EYSK081	1
028	Junction Box Cover	ENJAD25	1
029	Gasket - Junction Box Cover	ENWLO05	1
035	Cover - External Remote Terminal Block	DNSA025	1
036	External Remote Terminal Block	DNSA026	1
037	Label - Remote Terminal Caution Label	ENJK002	1
040	Case - NCC199DV (GQ-C3257WZ-FF US)	ETPA111	1<GQ-C3257WZ-FF US>
041	Case - NCC1990D (GQ-C3257WZ US)	ETPA101	1<GQ-C3257WZ US>
041	Wire Grommet - Rubber	CXPA026	2
043	Inlet Power Wires	ENJW020	1
044	Gasket - Case Top and Bottom	EMTA008	2
045	Gasket - Case Sides	EMTA009	2
071	Screw - Remote Terminal Cover M4X12 S410		
072	Screw - Long Machine M4X12 S410		
074	Screw - Front Cover with washer M4X12 S410		
076	Screw - GFCI M3.5X6 S430		
077	Screw - Short Tapping M4X8 S410		
079	Screw - Long Tapping M4X12 S410		
080	Screw - Remote Terminal M4X8 S430		

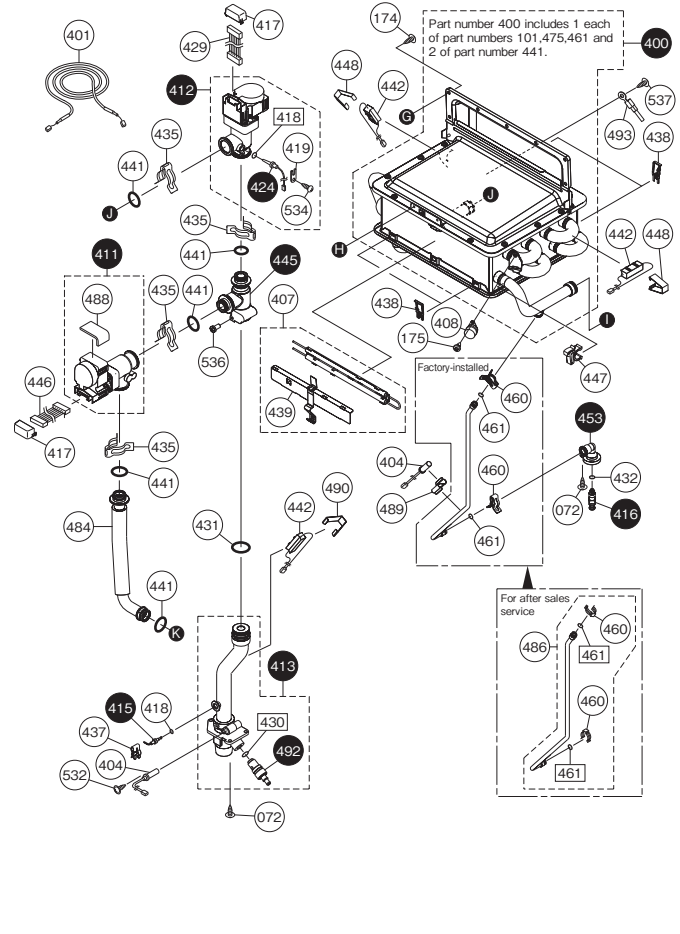
Combustion unit and gas route NCC199DV (GQ-C3257WZ-FF US)
NCC1990D (GQ-C3257WZ US)



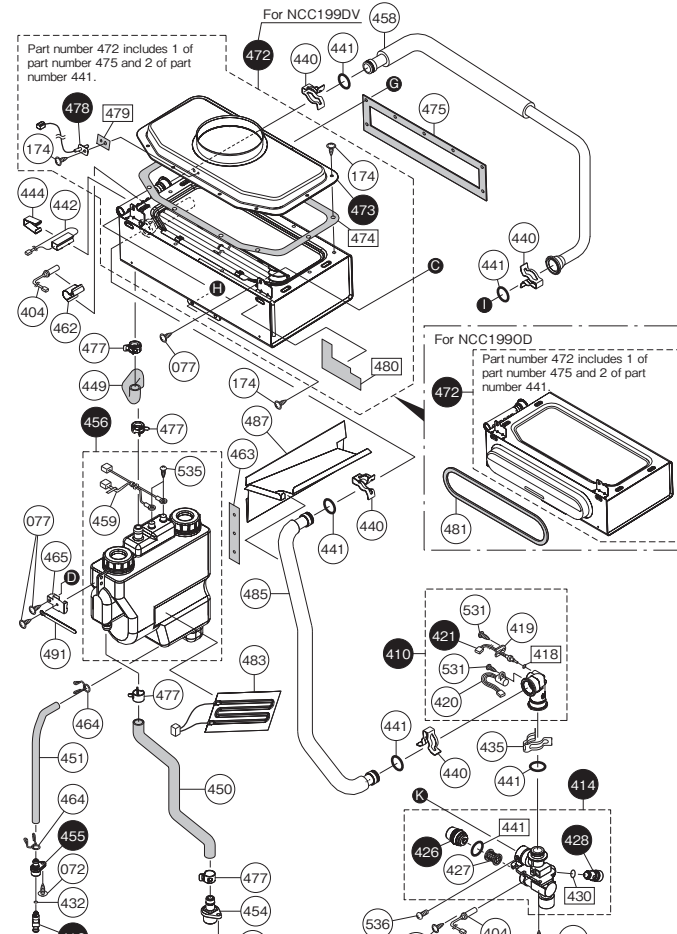
Combustion unit and gas route NCC199DV (GQ-C3257WZ-FF US)
NCC1990D (GQ-C3257WZ US)

Part Nos.	Part Names	Order Nos.	Qty/unit
100	Burner w/ Gasket and Ignition Plug (SET)	SKJ71JG	1
101	Gasket - Burner	ESWL001	1
103	Ignition Plug w/ Gasket	SKG7311	1
105	Mounting Plate - Ignition Plug	ESWC011	1
106	Gasket - Ignition Plug	EHL001	1
108	Gas Pipe	ETPE011	1
110	Burner Damper 17-13	EFWC033	1<GQ-C3257WZ-FF US LP>
114	Burner Damper 17-14	EFWC034	1<GQ-C3257WZ-FF US NG>
111	Fan Motor w/ Housing	SK07441	1<GQ-C3257WZ-FF US>
113	Fan Motor w/ Housing	SKC7470	1<GQ-C3257WZ US>
113	Gasket - Manifold Plate Top	ERDL007	1
114	Gasket - Manifold Plate Bottom	ERDL009	1
117	Fan Plate Φ40	EHWF424	1<GQ-C3257WZ-FF US>
126	Fan Plate Φ48	CRUC046	1<GQ-C3257WZ US>
127	Igniter	ERDJO12	1
127	Mounting Plate - Igniter	DTJA015	1
128	High Voltage Igniter Wire	SAC1229	1
132	Gas Valve w/ Manifold Plate 17 (SET)	SKH7186	1<GQ-C3257WZ-FF US LP>
132	Gas Valve w/ Manifold Plate 24 (SET)	SKH7187	1<GQ-C3257WZ(L)-FF US NG>
133	O-Ring - Gas Solenoid	SAA6044	4
134	C' Clamp - Gas Pipe 25.4	6340601	1
135	O-Ring - Gas Pipe P25.5	SAB1512	2
136	Inlet Gas Connection w/ Screw (SET)	ELWF021	1
139	Gas Manifold Solenoid 1	SKG7181	1
140	Gas Manifold Solenoid 2	SKG7316	3
145	Wiring Harness - Gas Valve	ESWJ015	1
171	Screw - Machine w/ guide M4X12		
172	Screw - Inlet and Manifold Gas M4X8	SAC6082	2
173	Screw - Large Manifold Plate M5X16 S410		
174	Screw - Medium Tapping M4X10 S410		
175	Screw - Small Tapping w/o collar M4X8 S410		

Hot-water feed route 1 NCC199DV (GQ-C3257WZ-FF US)
NCC1990D (GQ-C3257WZ US)



Hot-water feed route 2 NCC199DV (GQ-C3257WZ-FF US)
NCC1990D (GQ-C3257WZ US)



Hot-water feed route 1 NCC199DV (GQ-C3257WZ-FF US)
NCC1990D (GQ-C3257WZ US)

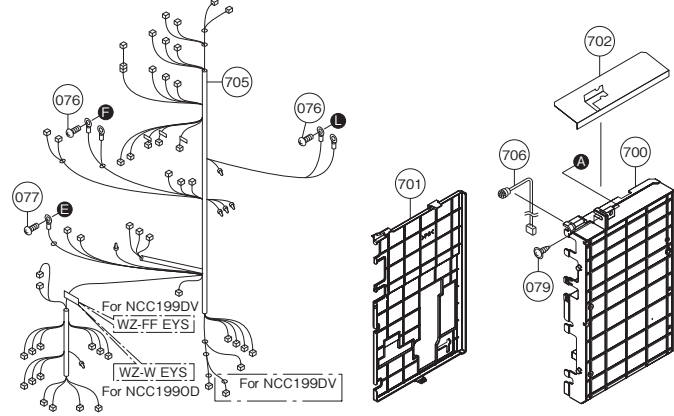
Part Nos.	Part Names	Order Nos.	Qty/unit
400	Heat Exchanger Kit (DV) (SET)	SKJ71JG	1
401	Thermal Fuse	SKH7189	1
404	Freeze Prevention Heater - Round Short	ERDH003	4
407	Freeze Prevention Heater - Double Round (SET)	SKH7192	1
408	High Limit Switch	ELVH002	1
410	Water Flow Sensor (SET)	ERDD011	1
411	Water Servo - Bypass (SET)	SKH7202	1
412	Water Servo -Main (SET)	ETFD011	1
413	Pipe - Hot Water w/ Outlet Connection (SET)	ETPD003	1
414	Inlet Water Connection (SET)	EJMD002	1
415	Thermistor - Hot Water	BWCD096	1
416	Drain Cock	CRUD003	2
417	Wire Cover - Servo	EBTD023	2
418	O-Ring - Thermistor High Temp P4	1323709	3
419	Thermistor Holding Plate	ALSD088	2
420	Magnetic Sensor - Flow Sensor	BWCD090	1
421	Thermistor - Cold Water	BWCD097	1
424	Thermistor - Heat Exchanger	BWCD098	1
426	Water Filter Cap	DTJD006	1
427	Water Filter	EGBD032	1
428	Safety Relief Valve	SAA2811	1
429	Wiring Harness - Main Water Servo	JBGJ024	1
430	O-Ring - High Temp P9	SAD6635	2
431	O-Ring - High Temp P22	7573308	1
432	O-Ring - High Temp P3	SAD6633	2
435	C' Clamp - Water Pipe 16A	6340300	5
437	C' Clamp - Thermistor	CRUD055	1
438	Clamp - Thermal Fuse	EGLH002	4
439	Clamp - Freeze Prevention	ERDH011	1
440	C' Clamp - Water Pipe 16-25	SAD6593	4
441	O-Ring - High Temp P16	3223302	11
442	Freeze Prevention Heater -Rectangle	ERDH002	4
444	Clamp - Freeze Prevention	AMML001	1
445	Mixing Valve	ELWD005	1
446	Wiring Harness - Bypass Water Servo	ETJF033	1
447	Clamp - Harness	SAB2775	1
448	Clamp - Freeze Prevention	CPLL002	2
449	Drain Hose - SS HEX	ETPF011	1
450	Drain Hose - Condensate	ENJF022	1
451	Drain Hose - Neutralizer / Condensate Container	ENJF023	1
453	Drain Connection - 1/4" tube	CBND018	1
454	Drain Connection - Condensate	EPHF001	1
455	Drain Connection - Neutralizer / Condensate Container	EMDF309	1
456	Condensate Container (SET)	ETPF031	1
458	Pipe - Heat Exchanger SS to CU	ETHD007	1
459	Wiring Harness - Water Level Electrode	EPJUC04	1
460	C' Clamp - 1/4" tube 6-13	SAD6594	2<Factory-installed>
460	C' Clamp - 1/4" tube (AS) 6	6339905	2<For after sales service>
461	O-Ring - High Temp P6	3264408	2
462	Clamp - Freeze Prevention	ETHH003	1
463	Gasket - Neutralizer / Condensate Container	ENLH007	1
464	Clamp - Container Hose Φ8	DESD004	2
465	Mounting Plate - Neutralizer / Condensate Container	EHWA016	1
472	Heat Exchanger Kit - Secondary SS (DV) (SET)	SKH7191	1<GQ-C3257WZ-FF US>
472	Heat Exchanger Kit - Secondary SS (OD) (SET)	SKH7190	1<GQ-C3257WZ US>
473	Exhaust Box	ETPF011	1<GQ-C3257WZ-FF US>
474	Gasket - Exhaust Box	ETPL001	1<GQ-C3257WZ-FF US>
475	Gasket - Secondary Heat Exchanger	ETHL003	1
477	Clamp - Condensate Hose NO.35	SAD6670	4
478	Thermistor - Exhaust	ETHH002	1<GQ-C3257WZ-FF US>
479	Gasket - Exhaust Thermistor	ETHL004	1<GQ-C3257WZ-FF US>

Hot-water feed route 2 NCC199DV (GQ-C3257WZ-FF US)
NCC1990D (GQ-C3257WZ US)

Part Nos.	Part Names	Order Nos.	Q'ty/unit
480	Packing - Exhaust Thermistor	ETHL006	1<GQ-C3257WZ-FF US>
481	Gasket - Exhaust (O3)	C2RL001	1<GQ-C3257WZ US>
483	Freeze Prevention Heater - Condensate Container	ETHH004	1
484	Pipe - Inlet to Bypass Servo	ENJD005	1
485	Pipe - Flow Sensor to SS Heat Exchanger	ETPD001	1
486	Pipe - 1/4" Drain from CU Heat Exchanger (SET)	SKH7167	1<For after sales service>
487	Cover - Condensate Container	ETPA071	1
488	Cover - Waterproof	DTL009	1
489	Clamp - Freeze Prevention	DLKH005	1
490	Clamp - Freeze Prevention	ELVL011	1
491	Clamp - Wire Tie	HBNL001	1
492	Safety Relief Valve	EGGD029	1
493	Thermistor - Scale Detection (SET)	SKJ71N1	1
531	Screw - Round Head Medium Tapping M4X10 S305		
532	Screw - Short Machined M4X6 S410		
534	Screw - Round Head Medium Tapping M4X10 S410		
535	Screw - Small Tapping M4X25 XM7		
536	Screw - Black Set M4X3 S430		
537	Screw - Round Head Tapping 3x6		

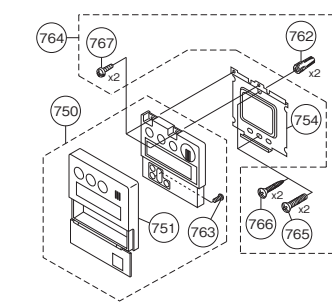
Electronic control unit and Remote controller NCC199DV (GQ-C3257WZ-FF US)
NCC1990D (GQ-C3257WZ US)

Electronic control unit



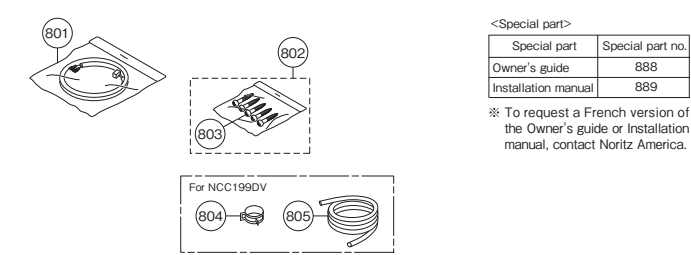
Remote controller

RC-9018M US



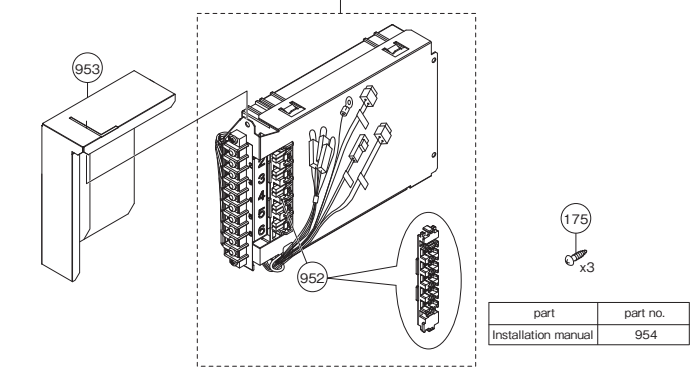
Attached set NCC199DV (GQ-C3257WZ-FF US)
NCC1990D (GQ-C3257WZ US)

Attached set

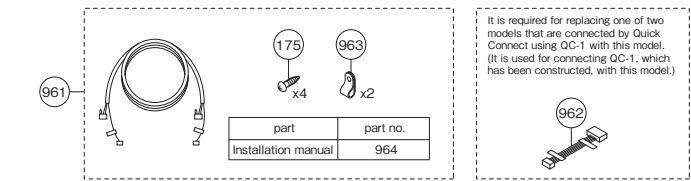


Optional

SC-301-6M US



Quick-Connect Cable QC-2

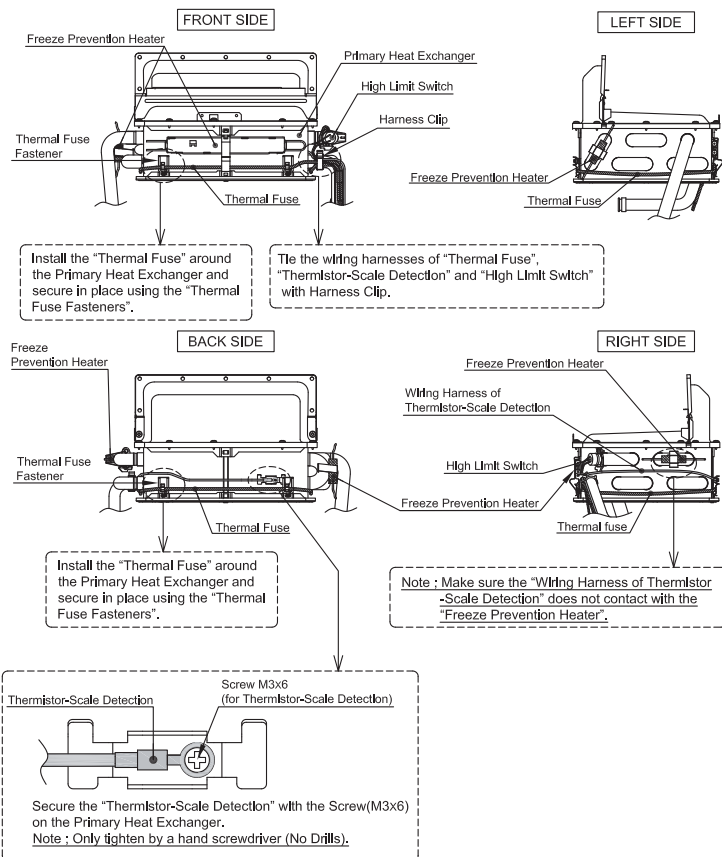


Electronic control unit, Remote controller and Attached set
NCC199DV (GQ-C3257WZ-FF US)·NCC1990D (GQ-C3257WZ US)

Part Nos.	Part Names	Order Nos.	Q'ty/unit
700	Circuit Board	SHC70V4	1
701	Cover - Circuit Board	ERCJ006	1
702	Cover - Circuit Board Water Resistant	ETHA023	1
705	Wiring Harness - NCC199DV (GQ-C3257WZ-FF US)	EYSJ121	1<GQ-C3257WZ-FF US>
706	Wiring Harness - NCC1990D (GQ-C3257WZ US)	EYSJ121	1<GQ-C3257WZ US>
	LED Light	CRPJ014	1
750	Remote Controller - RC-9018M (SET)	QNJ015	1
751	Cover - Remote RC-9018M	QNGA020	1
754	Mounting Plate - Remote RC-9018M	QNGA021	1
762	Dry Wall AnchorsX25		
763	Screw - Round Head Machine M3X6 S430		
764	Screw Package - RC 9018M (SET)	QNA100	1
765	Screw - Flat Head Machine M4X35		
766	Screw - Flat Head Tapping 4X20		
767	Screw - Round Head Machine M3X6		
800	Box	SKJ710G	1
801	Remote Cord - 10 ft	ETHM001	1
802	Wood Screw set5	SAF6007	1
803	Screw - Round Head Wood 4.8X38 S305		
804	Clamp - Condensate Drain Hose (External)	1230701	1<GQ-C3257WZ-FF US>
805	Hose - Condensate (External)	AHE0361	1<GQ-C3257WZ-FF US>
888	Owner's Guide	SBB80HV	1
889	Installation Manual - NCC199DV (GQ-C3257WZ-FF US)	SBB80HX	1<GQ-C3257WZ-FF US>
	Installation Manual - NCC1990D (GQ-C3257WZ US)	SBB80HW	1<GQ-C3257WZ US>
951	System Controller - SC-301-6M	SHB747B	1
952	Terminal Block - System Controller	ENUJ106	1
953	Cover - System Controller	ENUJ115	1
954	Installation Manual - SC-301-6M	SBA8849	1
961	Quick Connect Cord - QC-2	0706377	1
962	Adaptor - QC-1 to QC-2	SAG4672	1
963	Wire Clamp - Nylon	7223901	2
964	Installation Manual - QC-2	SAG8992	1

«Thermal Fuse Replacement Procedure»

Move the "Freeze Prevention Heaters", "Thermal Fuse Fasteners", "High Limit Switch", "Thermistor-Scale Detection", and "Harness Clip" from the old Primary Heat Exchanger to the new one.
(See 4 side view pictures below for location of each part.)



Procedure for Flushing the Heat Exchanger

This procedure is only intended for use by a qualified service professional or authorized Noritz Service Representative. Any unauthorized use of this procedure may result in voiding the warranty. Please contact Noritz America (866-766-7489) for additional support.

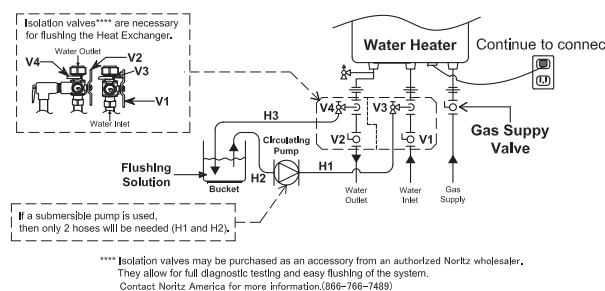
If the error code "C*#~C*#" is flashing on the Remote Controller (or Operation Panel**), it means there is Scale Build-up in the Heat Exchanger. The Heat Exchanger needs to be flushed** to remove the Scale Build-up. Damage to the water heater due to Scale Build-up is not covered by the water heater's warranty. To clear the error code "C*#~C*#", the Heat Exchanger must be flushed. If the error code "C*#" is displayed and flashing on the Remote Controller (or Operation Panel**), please contact Noritz America (866-766-7489).
** * 1, 2, 3, 4, F / # * 0, 1, 2, 3, 4, 5, 6, 7, 8, 9
** NR98DVC(GQ-2857WX-FFA US) and NR83DVC(GQ-2457WS-FFA US) only.
*** Connect the "blue connector for flushing" near the Circuit Board when flushing the Heat Exchanger. After connecting it, the water heater is set to "Flushing Mode".

The water heater must remain connected to electrical power when flushing the Heat Exchanger.

Basic Procedure

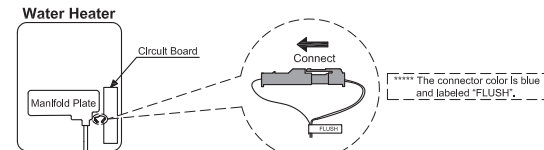
«Procedure 1. The preparation of the flushing system»

1. Close the gas supply valve.
2. Close the water inlet valve (V1) and the water outlet valve (V2).
3. Connect the one drain hose (H1) to the drain valve (V3), and then the other to the circulating pump.
4. Connect the drain hose (H2) to the circulating pump.
5. Connect the drain hose (H3) to the drain valve (V4).
6. Pour 1 gallon of "Calcium, Lime and Rust Removal Product" and 1 gallon water into the bucket. Noritz recommends "Calcium, Lime and Rust Removal Product" for flushing.
7. Place the both drain hoses (H2 and H3) into the bucket filled with the flushing solution.
8. Open the both drain valves (V3 and V4).

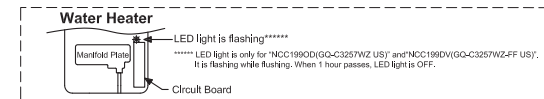
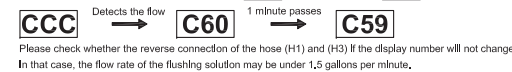


«Procedure 2. Flushing the Heat Exchanger»

1. Open the Front Cover.
2. Connect the "blue connector**** for flushing" near the Circuit Board.



3. Then the code "CCC" is displayed on the Remote Controller.
4. Turn on the circulating pump to circulate the flushing solution through the water heater for 1 hour at a rate of 1.5 gallons per minute or more.
5. The code "C60" is displayed on the Remote Controller when the water heater detects the flow of the flushing solution. When 1 minute passes, the code "C60" will change to "C59" on the Remote Controller.

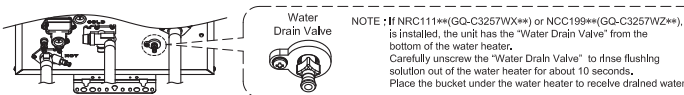


6. When 1 hour passes, the code "C00" is flashing on the Remote Controller. Do not disconnect the "blue connector for flushing".
7. Turn off the circulating pump.

«Procedure 3. Cleaning the Heat Exchanger»

The flushing solution needs to be rinsed and cleaned out of the water heater. Below is the way to rinse and clean the flushing solution.

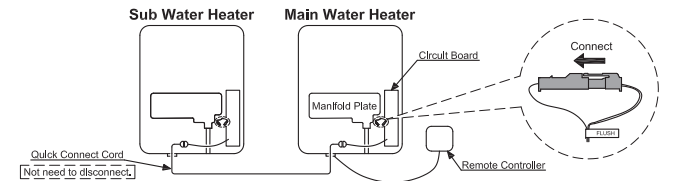
1. Remove both drain hoses (H2 and H3) from the bucket. And then place the drain hose (H3) into the sink or outside to drain.
2. Close the drain valve (V3) and then open the water inlet valve (V1). Do not open the fresh water outlet valve (V2).
3. Clean the water heater with fresh water for 3 minutes or more. (Needs to have enough time to clean the water heater.)



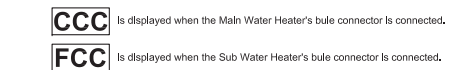
4. Close the drain valve (V4) and then remove the drain hose (H3) from the drain valve (V4).
5. Remove the drain hose (H1) from the drain valve (V3).
6. Disconnect the "blue connector for flushing" near the Circuit Board. The code "C00" goes out on the Remote Controller.
7. Close the Front Cover.
8. Open the gas supply valve and water outlet valve (V2).
9. Check for correct operation of the water heater.

In case of the "Quick Connect Multi System Procedure"

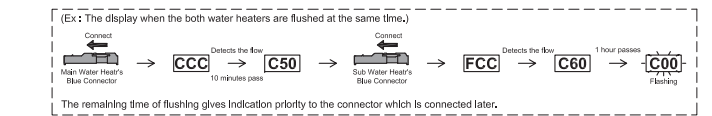
1. Connect the "blue connector for flushing" of need to be flushed. (The water heater is isolated from Quick Connect Multi system when the "blue connector for flushing" is connected. Not need to disconnect the Quick Connect Cord.)



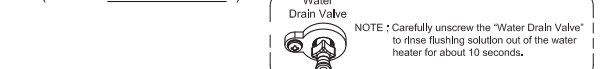
2. Then the code "CCC" or "FCC" is displayed on the Remote Controller.



2. Turn on the circulating pump to circulate the flushing solution through the water heater for 1 hour at a rate of 1.5 gallons per minute or more. (LED light is flashing while flushing the heat exchanger. See the "Procedure 2.5".)
3. When 1 hour passes, the code "C00" is flashing on the Remote Controller. Do not disconnect the "blue connector for flushing".



4. Turn off the circulation pump.
5. Rinse and clean the flushing solution out of the water heater in accordance with "Procedure 3". (See the "Procedure 3.1-3.5".)



6. Disconnect the "blue connector for flushing". The Code "C00" goes out on the Remote Controller.
7. Close the Front Cover.
8. Open the gas supply valve and water outlet let valve.
9. Check for correct operation of the water heater.

See the Installation Manual in case of the "Multi System's Flushing Procedure".

Please contact Noritz America if more information is needed for flushing. (Phone #: 866-766-7489)