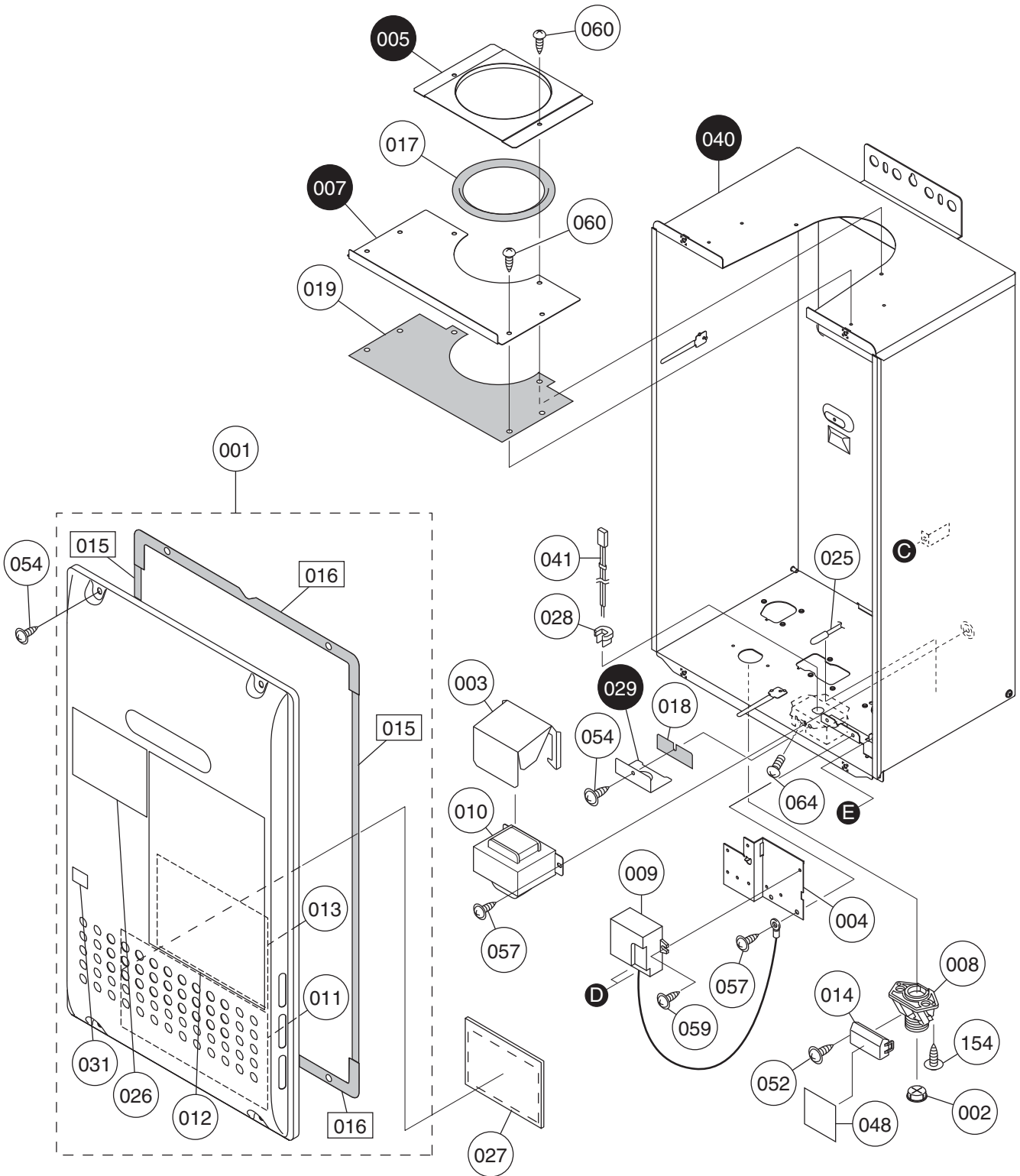
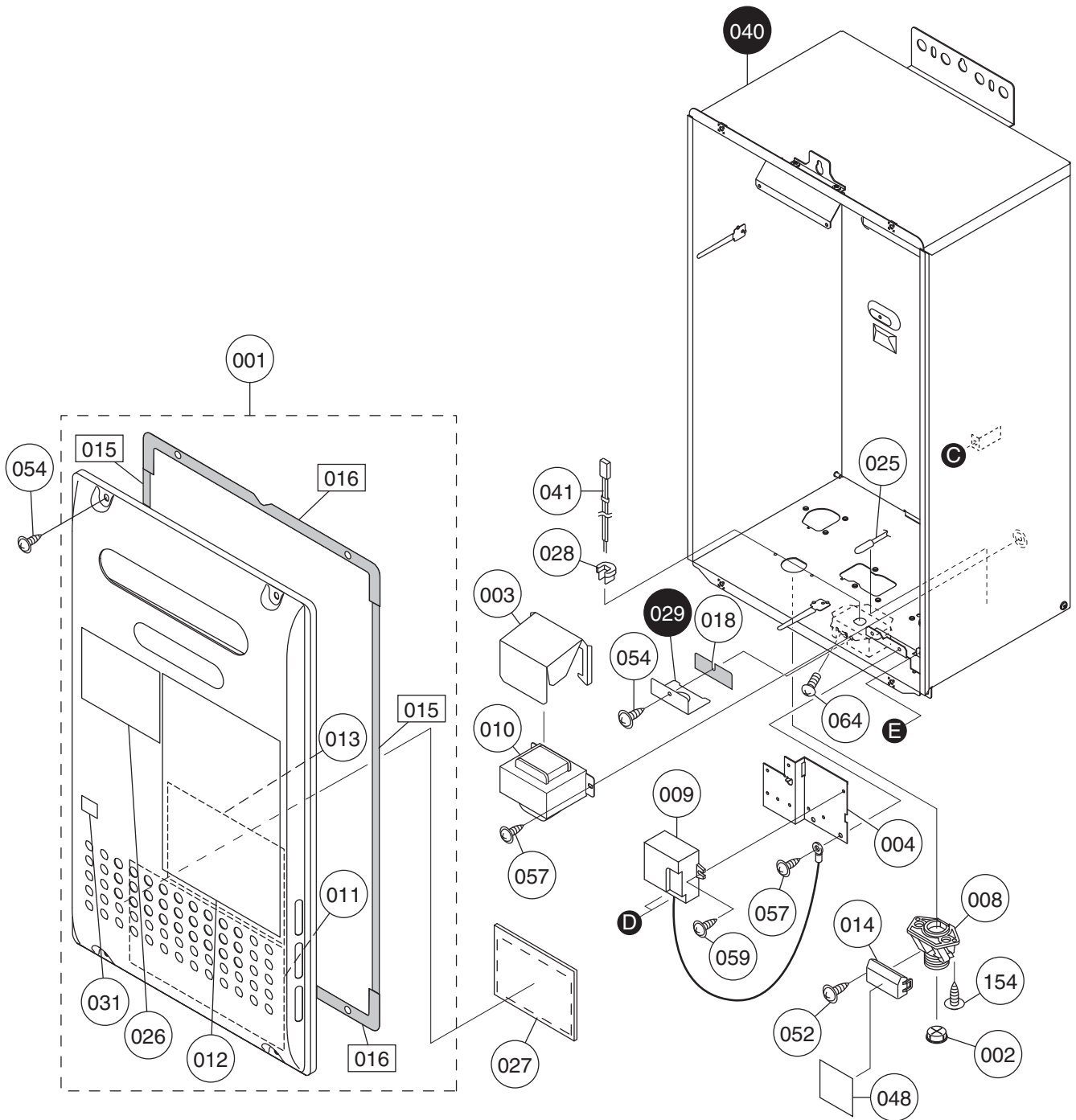


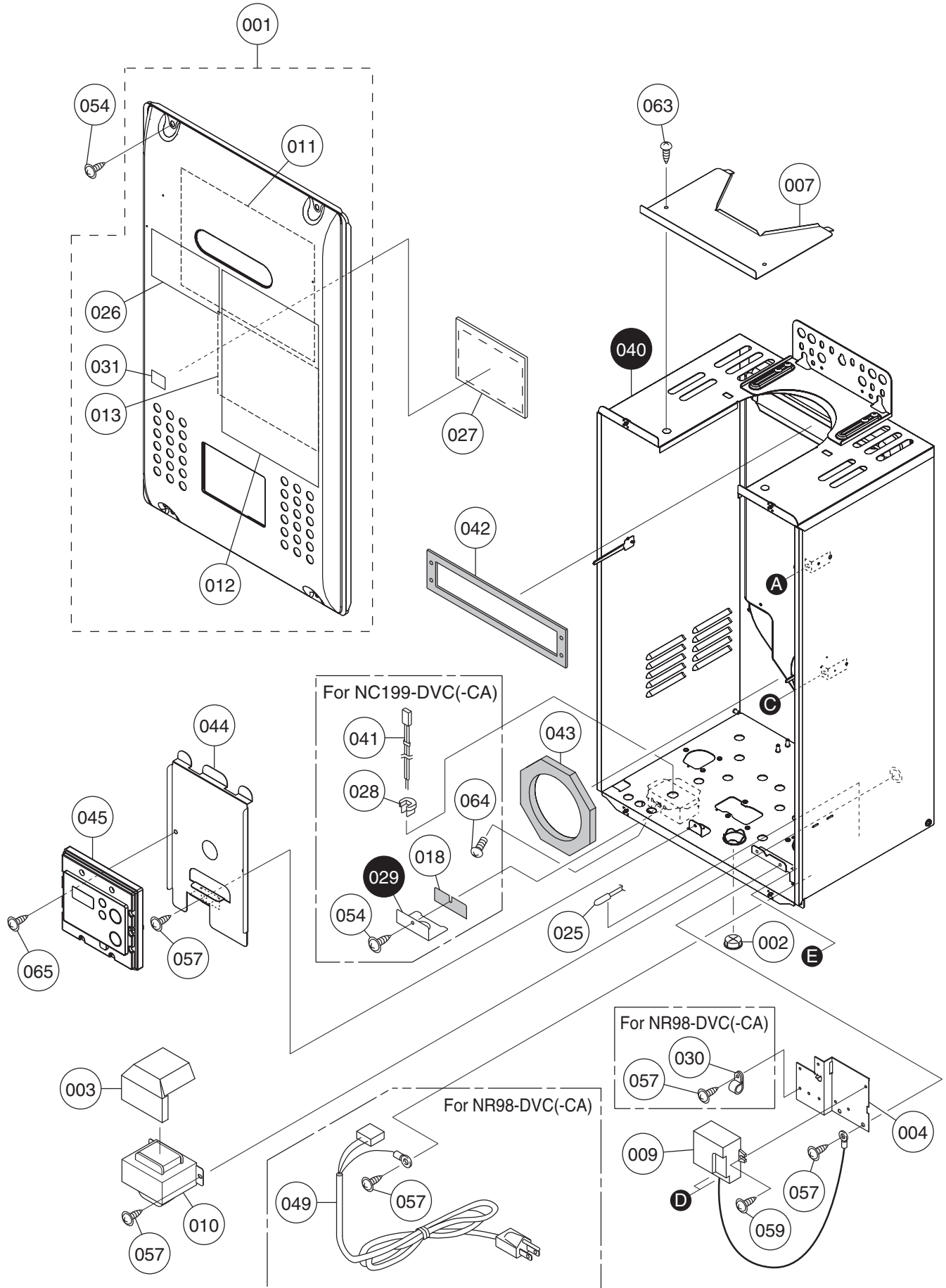
External outfitting NR98-SV



External outfitting NR98-OD,NC199-OD



External outfitting NR98-DVC(-CA),NC199-DVC(-CA)



External outfitting

NR98-OD, NR98-SV, NR98-DVC(-CA), NC199-OD, NC199-DVC(-CA)

Part Nos.	Part Names	Order Nos.	Q'ty/unit
001	NR98-OD Front set-AS NR98-SV Front set-AS NR98-DVC Front set-AS NC199-OD Front set-AS NC199-DVC Front set-AS	SKF7362 SKF7363 SKF7364 SKF7365 SKF7366	1<NR98-OD> 1<NR98-SV> 1<NR98-DVC(-CA)> 1<NC199-OD> 1<NC199-DVC(-CA)>
002	Grommet CXP	CXPA026	1
003	Transformer cover DJP Transformer cover ELV	DJPA054 ELVA055	1<NR98-OD ,NR98-SV> 1<NC199-OD> 1<NR98-DVC(-CA)> 1<NC199-DVC(-CA)>
004	Mounting plate for terminal block DZT	DZTA006	1
005	Case top cover 2 EDL	EDLA005	1<NR98-SV>
007	Case top cover ELV Case top cover FFA ELV Case top cover FFA SG# ERV	ELVA006 ELVA099 ERVA099	1<NR98-SV> 1<NR98-DVC(-CA)> 1<NC199-DVC(-CA)>
008	External connection terminal block set DNS	DNSA026	1<NR98-OD ,NR98-SV> 1<NC199-OD>
009	Lightning protection ELV	ELVJ101	1
010	Transformer EDN	EDNJ006	1
011	Connection diagram label ERU	ERUK001	1
012	Caution label ENG ELV	ELVK003	1
013	Caution label FRE ELV	ELVK006	1
014	External connection terminal block cover DNS	DNSA025	1<NR98-OD ,NR98-SV> 1<NC199-OD>
015	Front packing L AAP	AAPL017	2<NR98-OD ,NR98-SV> 2<NC199-OD>
016	Front packing 1 EAA	EAAL002	2<NR98-OD ,NR98-SV> 2<NC199-OD>
017	Exhaust cylinder packing EDL	EDLL002	1<NR98-SV>
018	Junction box cover packing ENW	ENWL005	1<NR98-OD ,NR98-SV>
019	Case top packing ELV	ELVL004	1<NC199-OD> 1<NC199-DVC(-CA)> 1<NR98-SV>
025	Air thermistor BWC	BWCH003	1
026	Rating plate 2 OD (W) ELV	ELVK009	1<NR98-OD ,NC199-OD>
	Rating plate 2 H ELV	ELVK004	1<NR98-SV>
	Rating plate 2 DV (FF) ELV	ELVK010	1<NR98-DVC(-CA)> 1<NC199-DVC(-CA)>
027	Parts list sheet set ERU	ERUK062	1
028	Cord bushing SR-5P-4	SAE6198	1<NR98-OD ,NR98-SV>
029	Junction box cover (SUS ENJ	ENJA015	1<NC199-OD> 1<NC199-DVC(-CA)> 1
030	Nylon clamp HP-4N (NK-4N)	7287909	1<NR98-DVC(-CA)>
031	Energy star mark label ENJ	ENJK071	1
040	Case SET OD ELV-A Case SET ELV-A Case SET FFA ERU Case SET W SG# ELV-A Case SET FFA SG# ELV-A	ELVA322 ELVA321 ERUA001 ELVA324 ELVA325	1<NR98-OD> 1<NR98-SV> 1<NR98-DVC(-CA)> 1<NC199-OD> 1<NC199-DVC(-CA) >
041	Conduit 92-120V ENJ	ENJJ020	1<NR98-OD ,NR98-SV> 1<NC199-OD> 1<NC199-DVC(-CA)>
042	Duct packing ELV	ELVL014	1<NR98-DVC(-CA)> 1<NC199-DVC(-CA)>

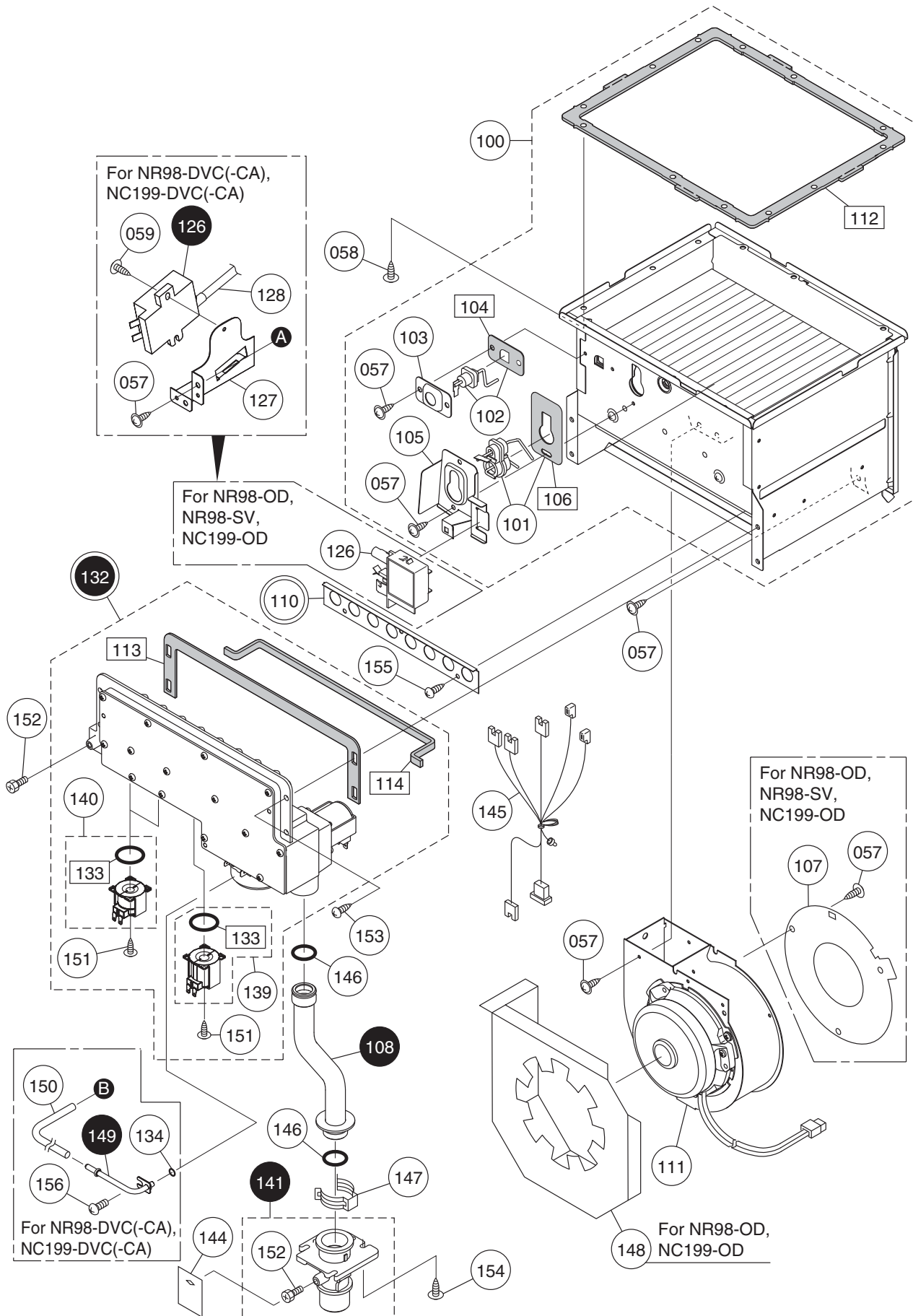
External outfitting

NR98-OD, NR98-SV, NR98-DVC(-CA), NC199-OD, NC199-DVC(-CA)

Part Nos.	Part Names	Order Nos.	Q'ty/unit
043	Fan Suction packing ELV	ELVL013	1<NR98-DVC(-CA)>
044	Mounting plate for remote controller ELV	ELVA100	1<NC199-DVC(-CA)>
045	RC-7649M Body USA Unit QME	QMEJ008	1<NR98-DVC(-CA)>
	RC-7650M Body ENG Unit QXU	QXUJ005	1<NC199-DVC(-CA)>
048	Remote controller connecting caution label ENJ	ENJK002	1<NR98-DVC(-CA)>
049	Power cord ERU	ERUJ001	1<NR98-DVC(-CA)>
052	Cross recessed round-head collar P-tapping screw 4X12		<NR98-OD ,NR98-SV>
054	Cross recessed truss type3 EVERTIGHT tapping screw with PW 4X12		<NC199-OD>
056	Cross recessed bind machine screw M3.5X6		
057	Cross recessed round-head collar N-tapping screw 4X8		
058	Cross recessed round-head collar N-tapping screw 4X10		
059	Cross recessed round-head collar N-tapping screw 4X12		
060	Cross & straight recessed truss type3 S TIGHT tapping screw 4X10		<NR98-SV>
063	Cross recessed truss N-tapping screw with PW 4X12		<NR98-DVC(-CA)>
			<NC199-DVC(-CA)>
064	Cross recessed truss machine screw M4X8		
065	Cross recessed round-head collar type3 EVERTIGHT tapping screw 4X20		<NR98-DVC(-CA)>
			<NC199-DVC(-CA)>

Combustion unit and gas route

NR98-OD, NR98-SV, NR98-DVC(-CA), NC199-OD, NC199-DVC(-CA)

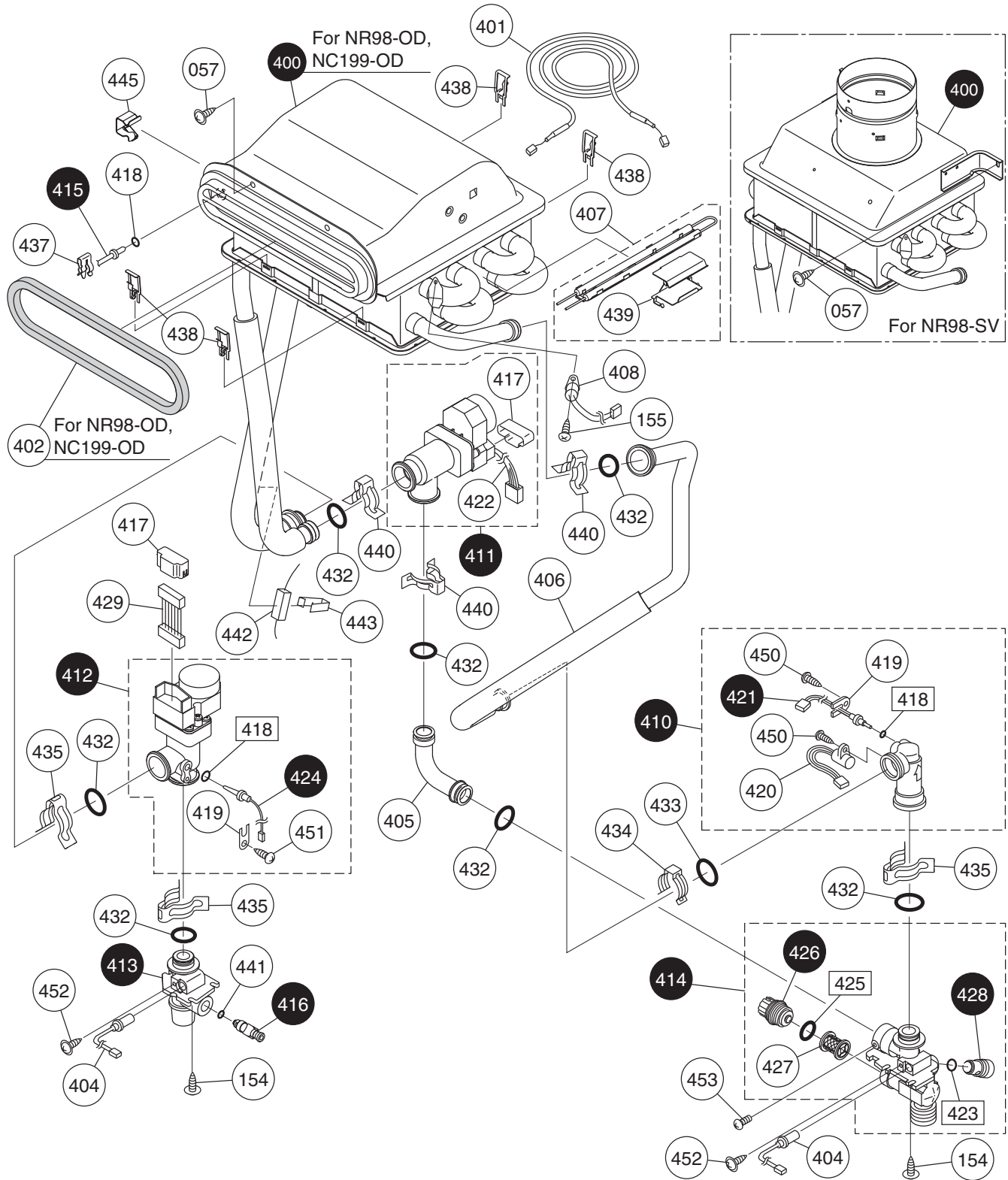


Combustion unit and gas route

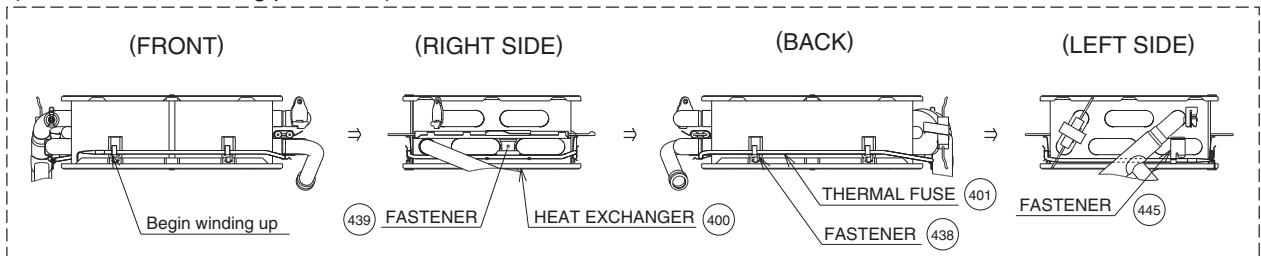
NR98-OD,NR98-SV,NR98-DVC(-CA),NC199-OD,NC199-DVC(-CA)

Part Nos.	Part Names	Order Nos.	Q'ty/unit
100	Combustion tube set ELV SET-V	SKC7447	1
101	Ignition plug ELV & packing EHK SETV	SKC7448	1
102	Flame rod ELV & packing DJP SETV	SKC7449	1
103	Sensor fixing plate DJP	DJPC012	1
104	Sensor packing DJP	DJPL004	1
105	Mounting plate for Plug H EGL	EGLC035	1
106	Plug packing H EHK	EHKL002	1
107	Bell-mouth ϕ 48 CRU	CRUC046	1<NR98-OD ,NR98-SV> 1<NC199-OD>
108	Manifold pipe ELV	ELVE007	1<NR98-OD ,NR98-SV> 1<NC199-OD>
	Manifold pipe FFA ELV	ELVE009	1<NR98-DVC(-CA)> 1<NC199-DVC(-CA) >
110	Main damper 11-13 ELV Main damper 11 ELV	ELVC051 ELVC054	1<NR98-OD ,NC199-OD> 1<NR98-SV LP>
	Main damper 13 ELV Main damper 9-13H ELV	ELVC052 ELVC057	1<NR98-DVC(-CA) LP> 1<NC199-DVC(-CA) LP> 1<NR98-SV NG> 1<NR98-DVC(-CA) NG> 1<NC199-DVC(-CA) NG>
111	Fan motor 100 EJA (ENG) SET-AS	SKC7470	1<NR98-OD ,NR98-SV> 1<NC199-OD>
111	Fan motor 110 ELV SET-AS	SKE7391	1<NR98-DVC(-CA)> 1<NC199-DVC(-CA)>
112	Suction air joint packing ELV	ELVL001	1
113	Manifold seal packing top ELV	ELVL003	1
114	Manifold seal packing bottom ELV	ELVL007	1
126	Igniter GP EMU Igniter AGV	EMUJ004 AGVJ007	1<NR98-OD ,NR98-SV> 1<NC199-OD> 1<NR98-DVC(-CA)>
127	Mounting plate for igniter DTJ	DTJA015	1<NC199-DVC(-CA) > 1<NR98-DVC(-CA)>
128	High-voltage cord 470	SAC1229	1<NC199-DVC(-CA)> 1<NR98-DVC(-CA)> 1<NC199-DVC(-CA)>
132	Gas mech. manifold 20ELV-A SET-AS Gas mech. manifold 29ELV-A SET-AS	SKF7367 SKF7368	1<NR98-OD LP> 1<NR98-SV LP> 1<NC199-OD LP> 1<NR98-OD NG> 1<NR98-SV NG>
	Gas mech. manifold 21ELV-A SET-AS Gas mech. manifold 33ELV-A SET-AS	SKF7369 SKF7370	1<NC199-OD NG> 1<NR98-DVC(-CA) LP> 1<NC199-DVC(-CA) LP> 1<NR98-DVC(-CA) NG> 1<NC199-DVC(-CA) NG>
133	O-ring JASO 2030 type 1	SAA6044	3
134	O-ring P4	2100908	1<NR98-DVC(-CA)> 1<NC199-DVC(-CA)>
139	Solenoid S16 CRU SET-V	SBB7213	1
140	Solenoid S09L EBT SET-V	SBP7501	2
141	Gas fitting 20A SET ELV	ELVE021	1
144	Gas fitting label ELV	ELVK005	1
145	Gas mech. harness ELV	ELVJ018	1
146	O-ring P18	2110903	2
147	Quick fastener 16B	6340407	1

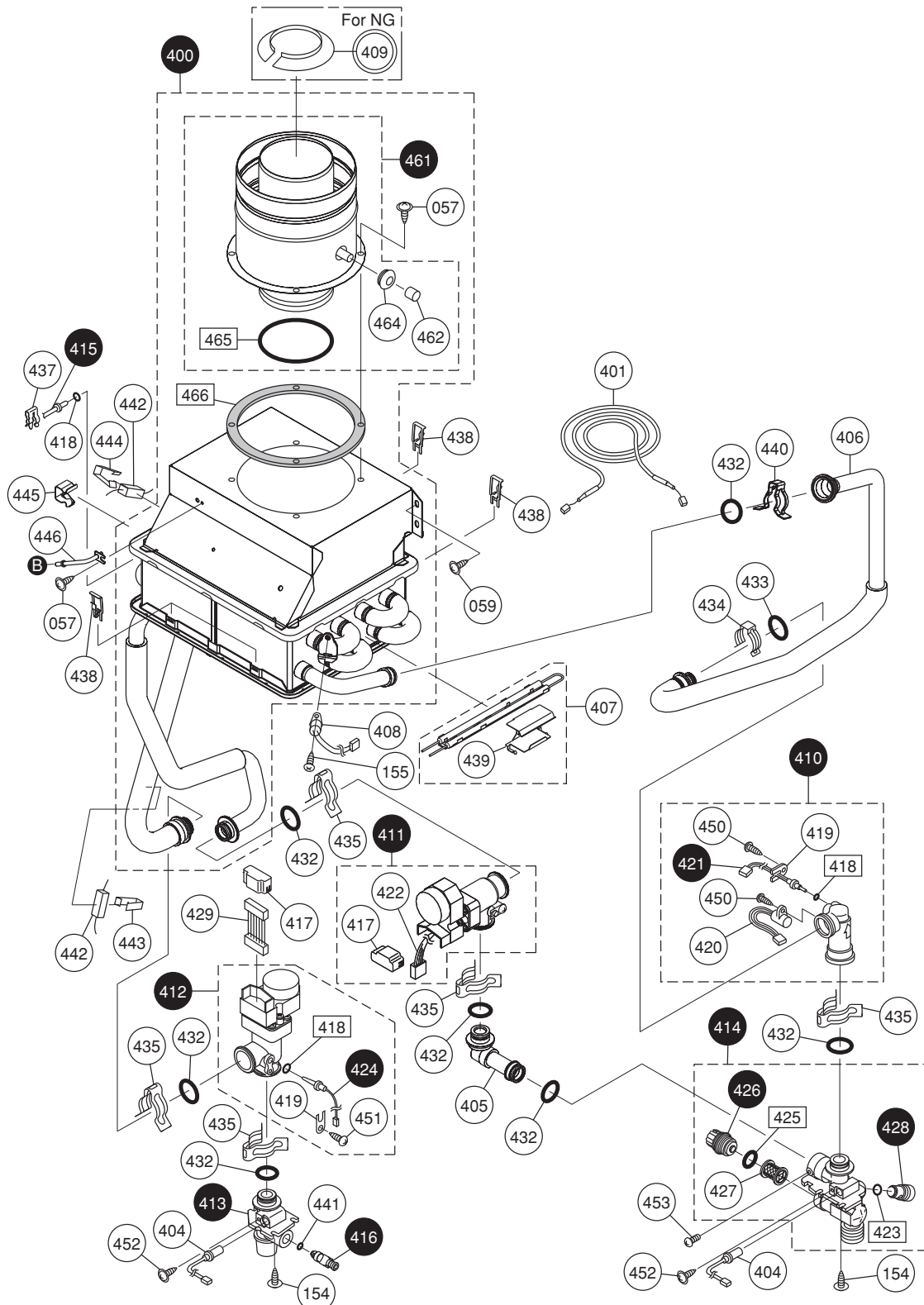
Hot-water feed route NR98-OD, NR98-SV, NC199-OD



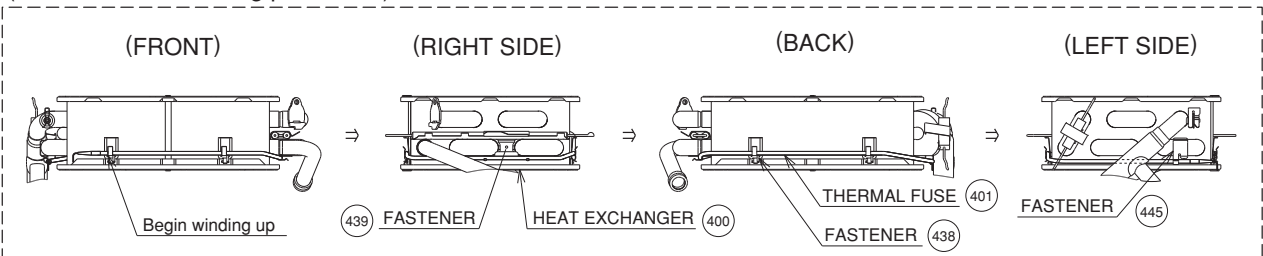
(Thermal fuse rounding procedure)



Hot-water feed route NR98-DVC(-CA),NC199-DVC(-CA)



(Thermal fuse rounding procedure)

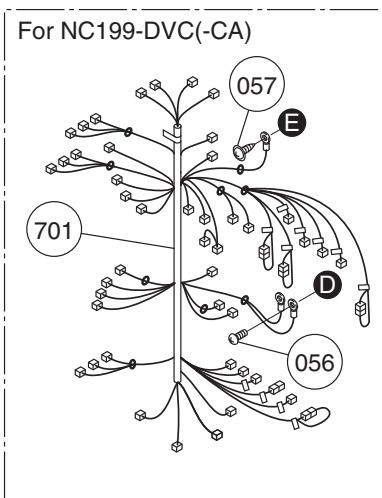
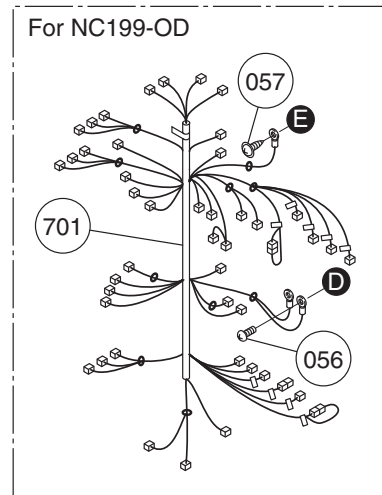
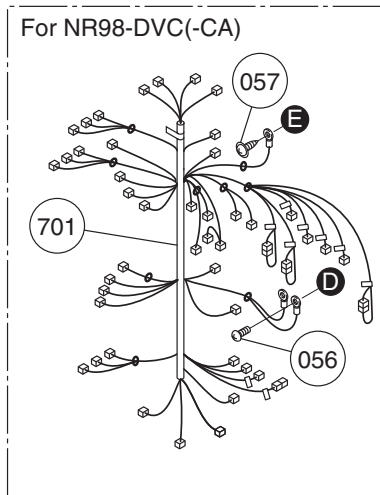
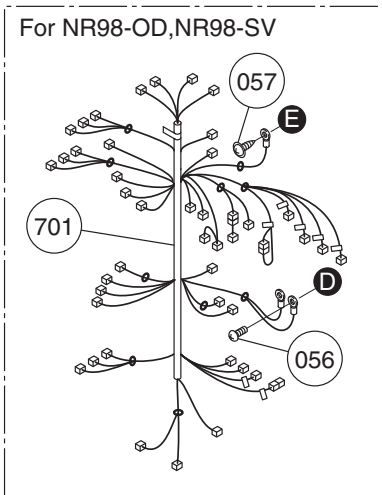
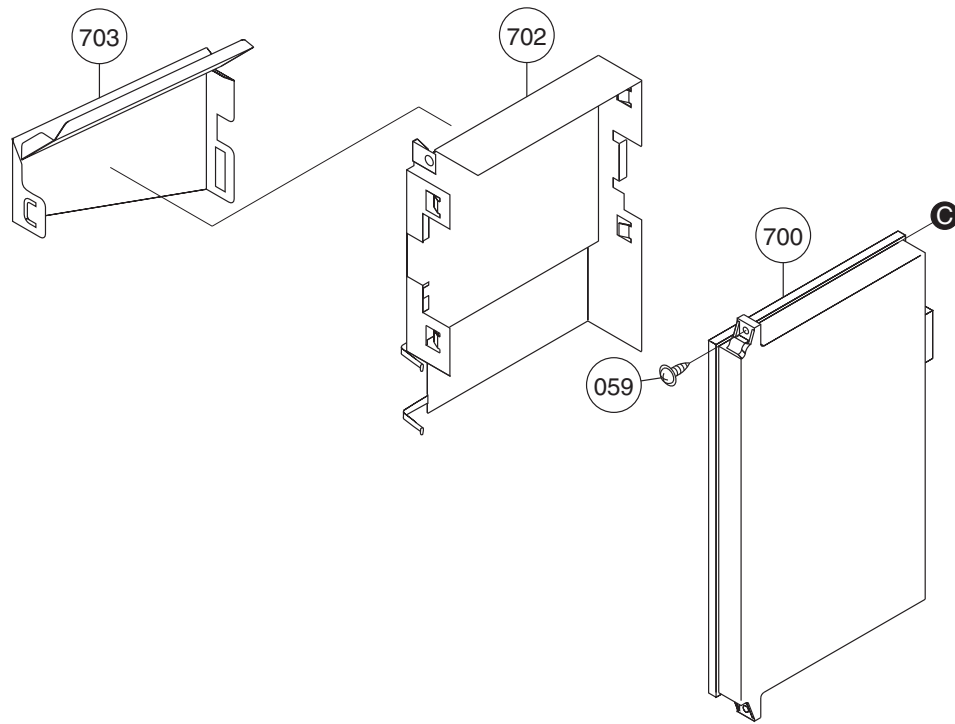


Hot-water feed route

NR98-OD,NR98-SV,NR98-DVC(-CA),NC199-OD,NC199-DVC(-CA)

Part Nos.	Part Names	Order Nos.	Q'ty/unit
400	Heat exchanger & Exhaust box OD ELV SETAS Heat exchanger & Exhaust box ELV SET-AS Heat exchanger & Exhaust box FFA1ELVSETAS	SKC7450 SKC7452 SBK7193	1<NR98-OD ,NC199-OD> 1<NR98-SV> 1<NR98-DVC(-CA)> 1<NC199-DVC(-CA)>
401	Thermal fuse ELV SET-V	SKC7453	1
402	Front top packing Q CZR	CZRL001	1<NR98-OD ,NC199-OD>
404	Freeze preventive heater 3 BGD	BGDH002	2
405	Bypass pipe ELV	ELVD001	1<NR98-OD ,NR98-SV> 1<NC199-OD>
	Bypass pipe FFA ELV	ELVD053	1<NR98-DVC(-CA)>
406	Water inlet pipe ELV	ELVD010	1<NC199-DVC(-CA)> 1<NR98-OD ,NR98-SV>
	Water inlet pipe FFA ELV	ELVD051	1<NC199-OD> 1<NR98-DVC(-CA)> 1<NC199-DVC(-CA)>
407	Freeze preventive heater EBT ELV SETV	SKC7454	1
408	Remaining flame safety device 94 ELV	ELVH002	1
409	Exhaust ring FFA ELV	ELVF085	1<NR98-DVC(-CA) NG> 1<NC199-DVC(-CA) NG>
410	Water flow sensor set 3 DUV	DUVD019	1
411	Water flow servo set 1 DZT	DZTD010	1
412	Water flow servo set 2 DZT	DZTD011	1
413	Hot-water outlet fitting 20A EHU	EHUD004	1
414	Water inlet fitting 20ASET EJM	EJMD002	1
415	Hot-water thermistor-300 BWC	BWCD096	1
416	Drain cock CRU	CRUD003	1
417	Waterproof cover CZL	CZLD041	2
418	Chlorinated water-resistant O-ring P4	1323709	3
419	Thermistor holding plate ALS	ALSD088	2
420	Water outlet magnetic sensor BWC	BWCD090	1
421	Water inlet thermistor-300 BWC	BWCD097	1
422	Servo motor cable conduit (86) DZT	DZTJ009	1
423	Hot-water resistant O-ring P9	SAD6635	1
424	Heat exchanger thermistor-300 BWC	BWCD098	1
425	O-ring 16DF BRQ	BRQL008	1
426	Water filter cover DTJ	DTJD006	1
427	Water filter (SUS) EGB	EGBD032	1
428	QMF safety valve A(S)	SAA2811	1
429	Conduit 86 DZT	DZTJ008	1
432	Chlorinated water-resistant O-ring P16	3223302	7
433	Chlorinated water-resistant O-ring P12.5	3359808	1
434	Quick fastener 12.7	6340202	1
435	Quick fastener 16A	6340300	3<NR98-OD ,NR98-SV> 3<NC199-OD>
	Quick fastener 16A	6340300	5<NR98-DVC(-CA) ,>
437	Sensor fastener CRU	CRUD055	5<NC199-DVC(-CA)> 1
438	Thermal fuse fastener EGL	EGLH002	4
439	Heater fastener ELV	ELVH018	1
440	Quick fastener 16-25	SAD6593	3<NR98-OD ,NR98-SV>
	Quick fastener 16-25	SAD6593	3<NC199-OD> 1<NR98-DVC(-CA)>
441	Hot-water resistant O-ring P3	SAD6633	1<NC199-DVC(-CA)> 1

Electronic control unit NR98-OD, NR98-SV, NR98-DVC(-CA), NC199-OD, NC199-DVC(-CA)



Remote controller and Attached set NR98-OD, NR98-SV, NR98-DVC(-CA), NC199-OD, NC199-DVC(-CA)

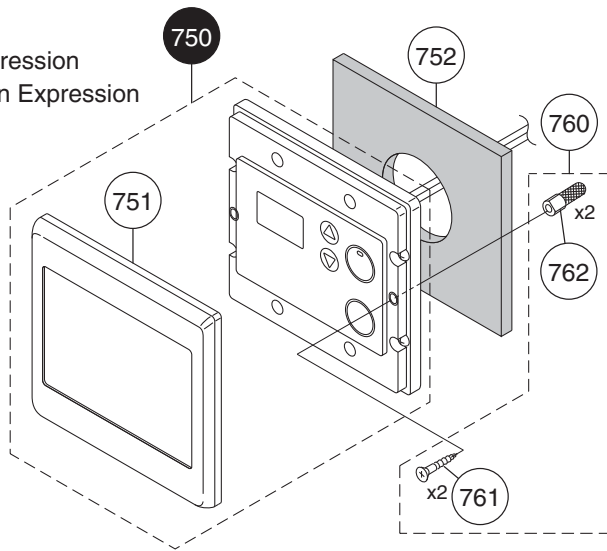
Optional

Remote controller

For NR98-OD, NR98-SV, NC199-OD

RC-7649M-USA

(Temperature: °F Expression
Water Volume: Gallon Expression

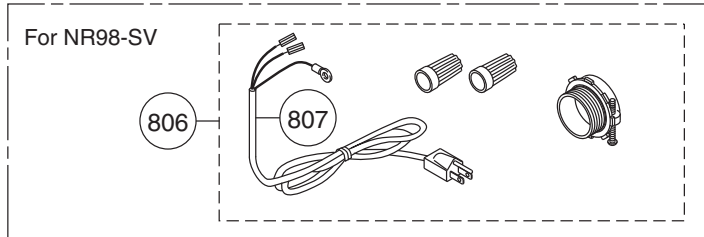
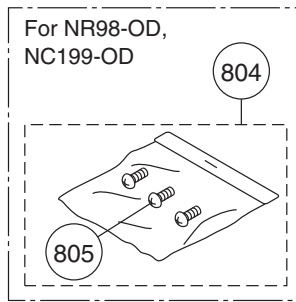
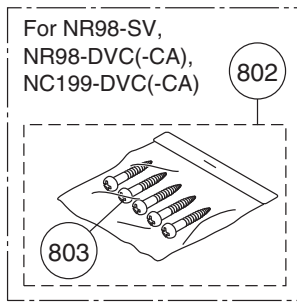
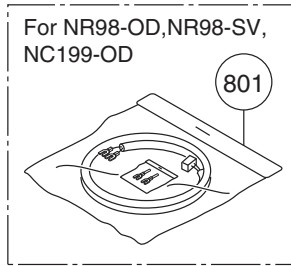


For NR98-OD, NR98-SV, NC199-OD

RC-7650M-ENG (For Canada)

(Temperature: °C Expression
Water Volume: Liter Expression

Attached set



<Special part>

Special part	Special part no.
Owner's guide	888
Installation manual	889

※ To request a French version of the Owner's guide or Installation manual, contact Noritz America.

Remote controller and Attached set NR98-OD,NR98-SV,NR98-DVC(-CA),NC199-OD,NC199-DVC(-CA)

Part Nos.	Part Names	Order Nos.	Q'ty/unit
750	RC-7649M Body USA QME RC-7650M Body ENG QXU	QMEJ007 QXUJ003	1<NR98-OD ,NR98-SV> 1<NC199-OD> 1<NR98-OD canada> 1<NR98-SV canada> 1<NC199-OD canada>
751	M Dressed frame body QME	QMEA003	1<NR98-OD ,NR98-SV> 1<NC199-OD>
752	Wall packing QHU	QHUA115	1<NR98-OD ,NR98-SV> 1<NC199-OD>
760	Shower remote controller screw set	SAD6448	1<NR98-OD ,NR98-SV>
761	Cross recessed round wood screw 4.1X25		1<NC199-OD> <NR98-OD ,NR98-SV>
762	Oar plug 6X25		<NC199-OD> <NR98-OD ,NR98-SV> <NC199-OD>
800	N-0751M packing set-V N-0751M-DVC packing set-V NC199-OD packing set-V NC199-DVC packing set-V	SKC7455 SKE7371 SKF7371 SKF7372	1<NR98-OD ,NR98-SV> 1<NR98-DVC(-CA)> 1<NC199-OD> 1<NC199-DVC(-CA)>
801	Gas type label LP for packaging ESC Remote controller cord S SET EAU	ESCK008 EAUM001	1<LP> 1<NR98-OD ,NR98-SV>
802	Screw SET(W)	SAB2753	1<NC199-OD> 1<NR98-SV> 1<NR98-DVC(-CA)>
803	Cross recessed round-head type 1 tapping screw 5X35		1<NC199-DVC(-CA)> <NR98-SV> <NR98-DVC(-CA)> <NC199-DVC(-CA)>
804	PS3 Screw SET	SAB2286	1<NR98-OD ,NC199-OD>
805	Cross recessed round-head machine screw M5X12		<NR98-OD ,NC199-OD>
806	Power supply cord US SET ESC	ESCM001	1<NR98-SV>
807	Power cord ESC	ESCJ001	1<NR98-SV>
888	Owner's guide GQ2851WX US Owner's guide GQ2851WX-FFA US	SBA8346 SBA8349	1<NR98-OD ,NR98-SV> 1<NR98-DVC>
889	Owner's guide SETGQ2851WX-FFA CA Owner's guide GQ2851WZ US Owner's guide GQ2851WZ-FFA US Owner's guide SETGQ2851WZ-FFA CA Installation manual GQ2851WX US	SBA8351 SBA8357 SBA8359 SBA8361 SBA8348	1<NR98-DVC-CA> 1<NC199-OD> 1<NC199-DVC> 1<NC199-DVC-CA> 1<NR98-OD>
	Installation manual GQ2851WX-H US Installation manual GQ2851WX-FFA US Installation manual GQ2851WX-FFA CA E Installation manual GQ2851WX-FFA CA F Installation manual GQ2851WZ US	SBA8347 SBA8350 SBA8355 SBA8356 SBA8358	1<NR98-SV> 1<NR98-DVC> 1<NR98-DVC-CA> 1<NR98-DVC-CA canada> 1<NC199-OD>
	Installation manual GQ2851WZ-FFA US Installation manual GQ2851WZ-FFA CA E Installation manual GQ2851WZ-FFA CA F	SBA8360 SBA8365 SBA8366	1<NC199-DVC> 1<NC199-DVC-CA> 1<NC199-DVC-CA canada>