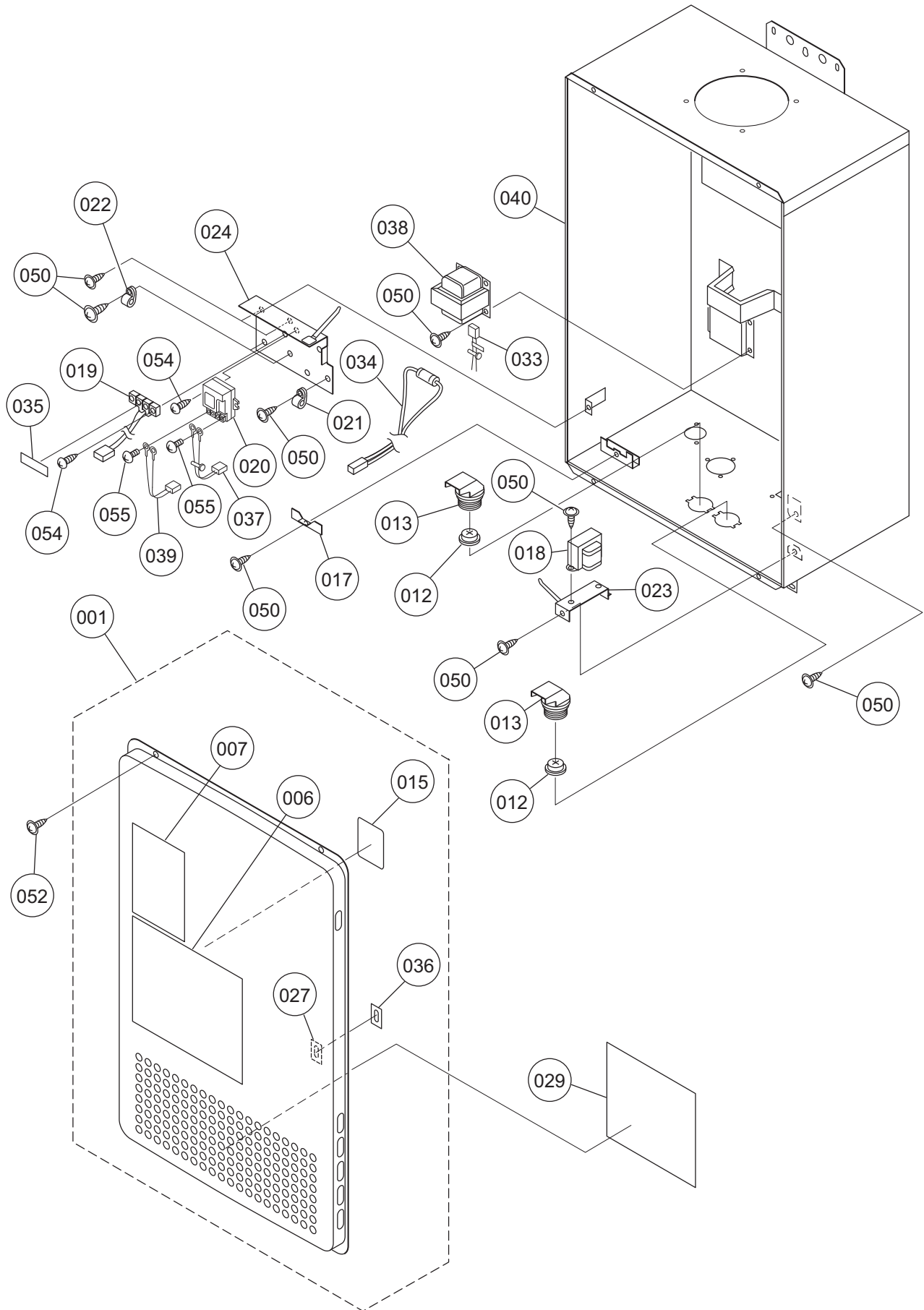
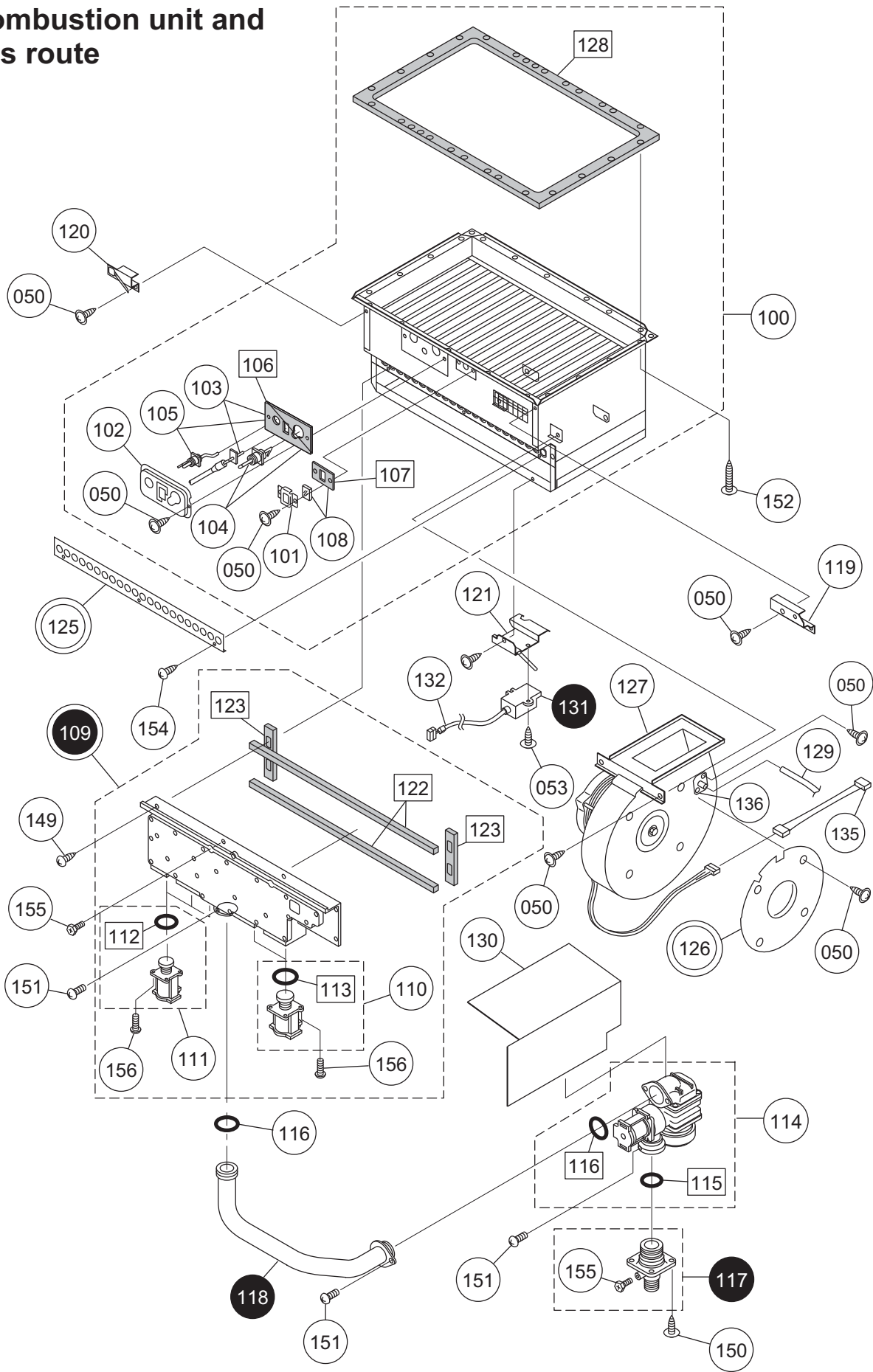


External outfitting



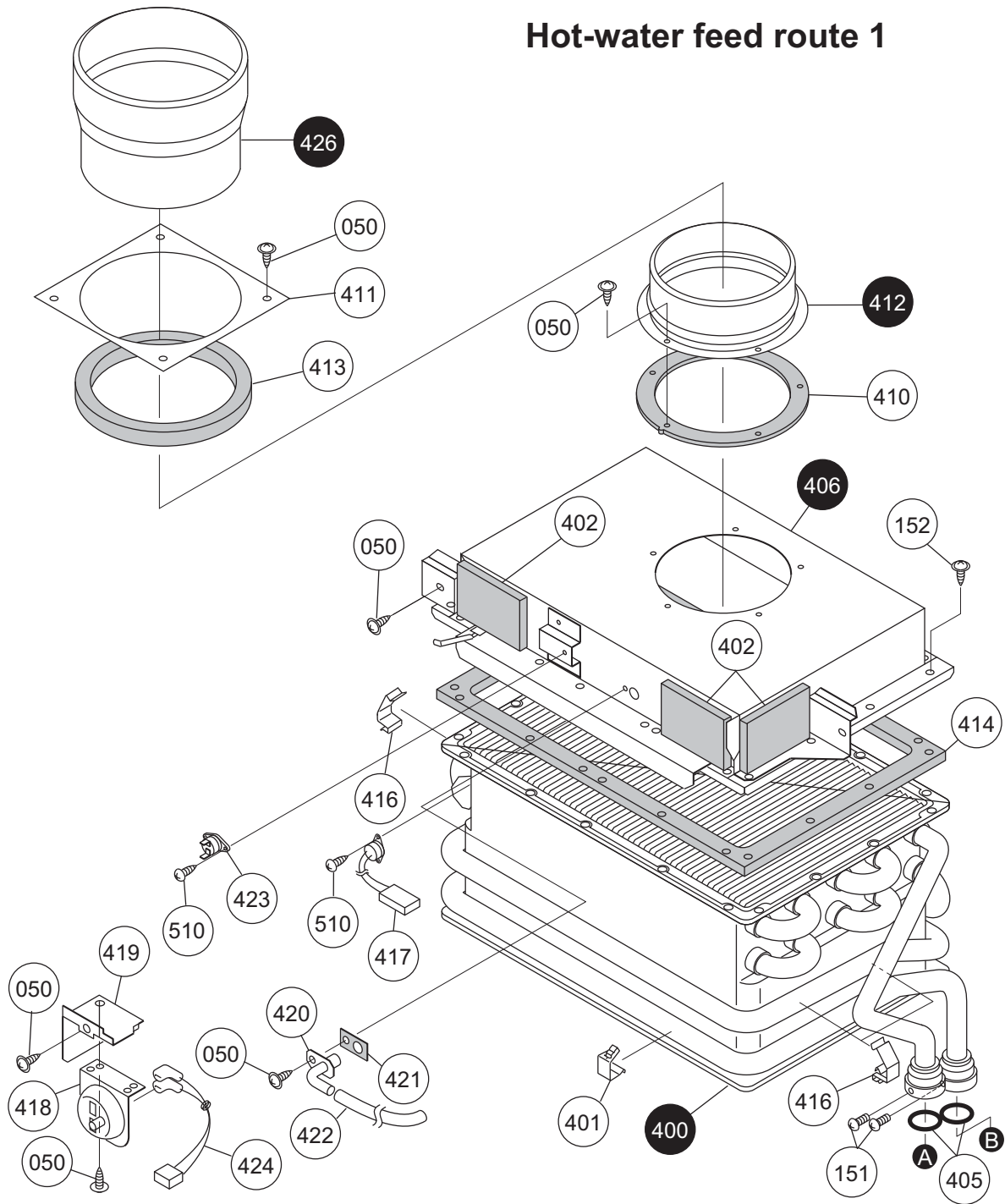
Combustion unit and gas route



Combustion unit and gas route

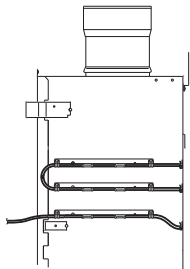
Part Nos.	Part Names	Order Nos.	Q'ty/unit
100	Combustion tube SET DUV SET-V	SBC7549	1
101	Window glass holding plate AAA	AAAC027	1
102	Plug fixing plate (for N) DLK	DLKC009	1
103	Burner sensor DLK SET-V	SBA7505	1
104	Ignition plug Q(N) SET-V	SBA7504	1
105	Frame rod DLK SET-V	SBA7506	1
106	Plug packing (for N) DLK	DLKL012	1
107	Window glass packing CRU	CRUL005	1
108	Window glass A. packing CRU set V	SAQ7345	1
109	Front pipe set17 DMA set AS	SBA7535	1
	Front pipe set 24 DMA set AS	SBA7534	1
110	Solenoid S24L CRU-1 set V	SBB7173	2
111	Solenoid S16L CRU set V	SBB7213	3
112	O-ring JASO 2030 type 1	SAA6044	3
113	O-ring JASO 2037 type 1 A	SAA6476	2
114	Gas mech. S24DQ CRP set V	SAQ7708	1
115	O-ring JASO 2028A	8590109	1
116	O-ring P25.5	SAB1512	2
117	Gas fitting 20A set EAU	EAUE001	1
118	Gas pipe DMA	DMAE052	1
119	Burner case fixing plate, right DMA	DMAA021	1
120	Burner case fixing plate, left DMA	DMAA022	1
121	Igniter mounting plate DMA	DMAA016	1
122	Front pipe seal packing L DMA	DMAL018	2
123	Front pipe seal packing S DMA	DMAL019	2
125	Main damper 8 DMA	DMAC032	1
	Main damper 9 DMA	DMAC033	1
126	Bell-mouse o56 CKB	CKBF021	1
	Bell-mouse o52 CKB	CKBF023	1
127	Fan motor DMB	DMBF030	1
128	Suction air joint packing DMA	DMAL001	1
129	Silicone tube ID6XT2X650 BVH	BVHF007	1
130	Gas mech. cover DMA	DMAA025	1
131	Igniter DRP	CRPJ002	1
132	High-voltage cord L370 ALS	ALSJ071	1
135	Conduit 27 DMA	DMAJ013	1
136	Pressure reducing pipe DMB	DMBF032	1
149	Cross recessed round-head type 3 EVERTIGHT tapping screw 5X16		
150	Cross recessed round-head type 3 EVERTIGHT collar tapping screw 4X12		
151	Cross recessed round-head machine screw M4X8		
152	Cross recessed round-head collar N-tapping screw 4X10		
154	Cross recessed round-head N- tapping screw 4X8		
155	Cross recessed hexagon head machine screw M4X8		
156	Cross recessed round-head SPAK machine screw guide M4X12		

Hot-water feed route 1

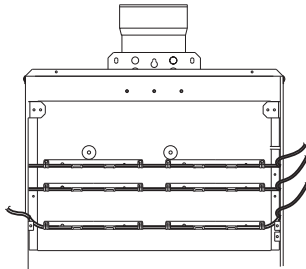


(Thermal fuse rounding procedure)

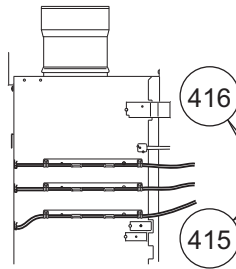
(Case inside left side view)



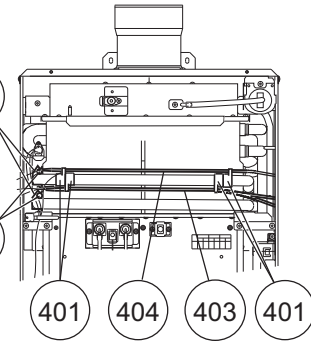
(Case rear)



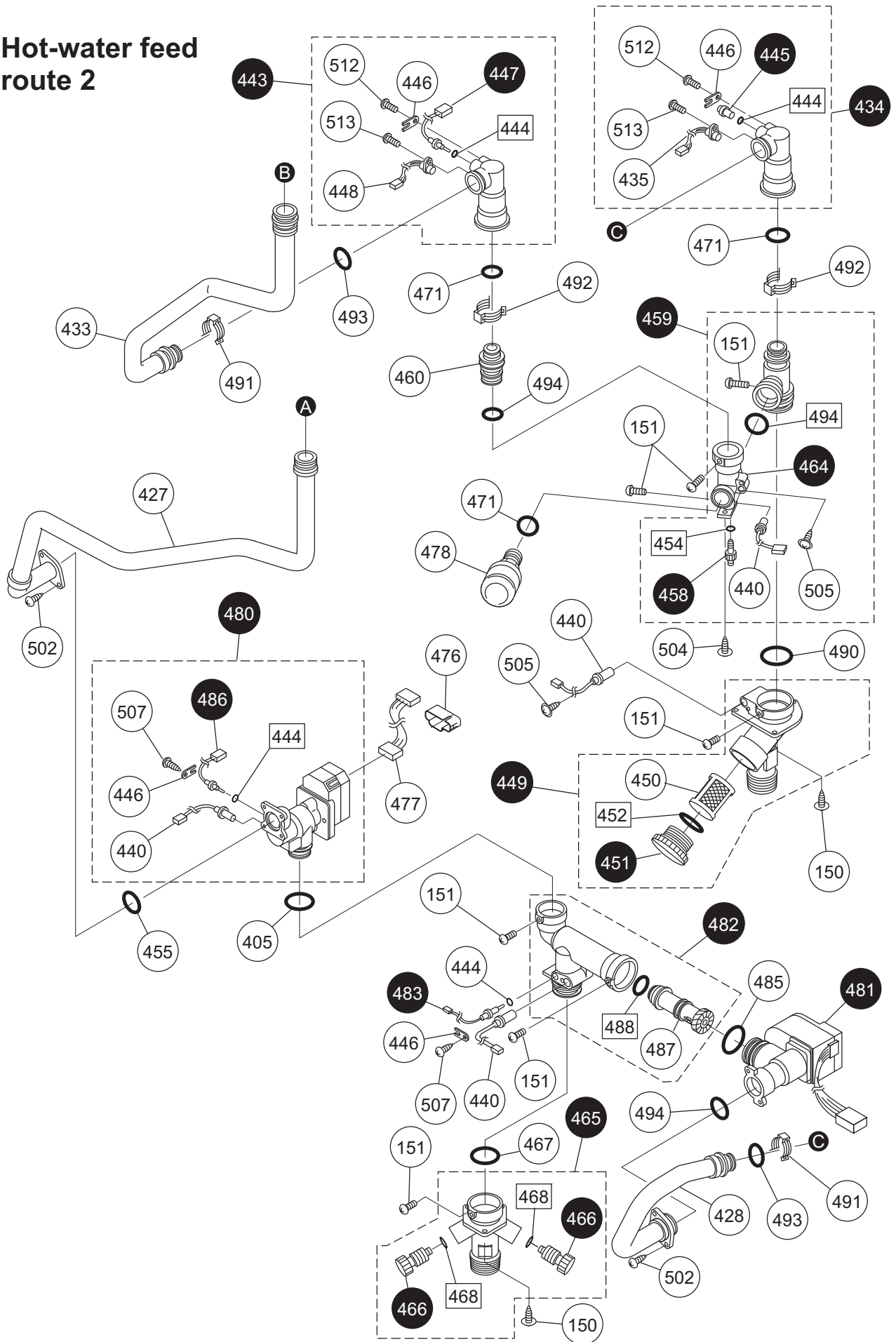
(Case inside left side view)



(Front view)



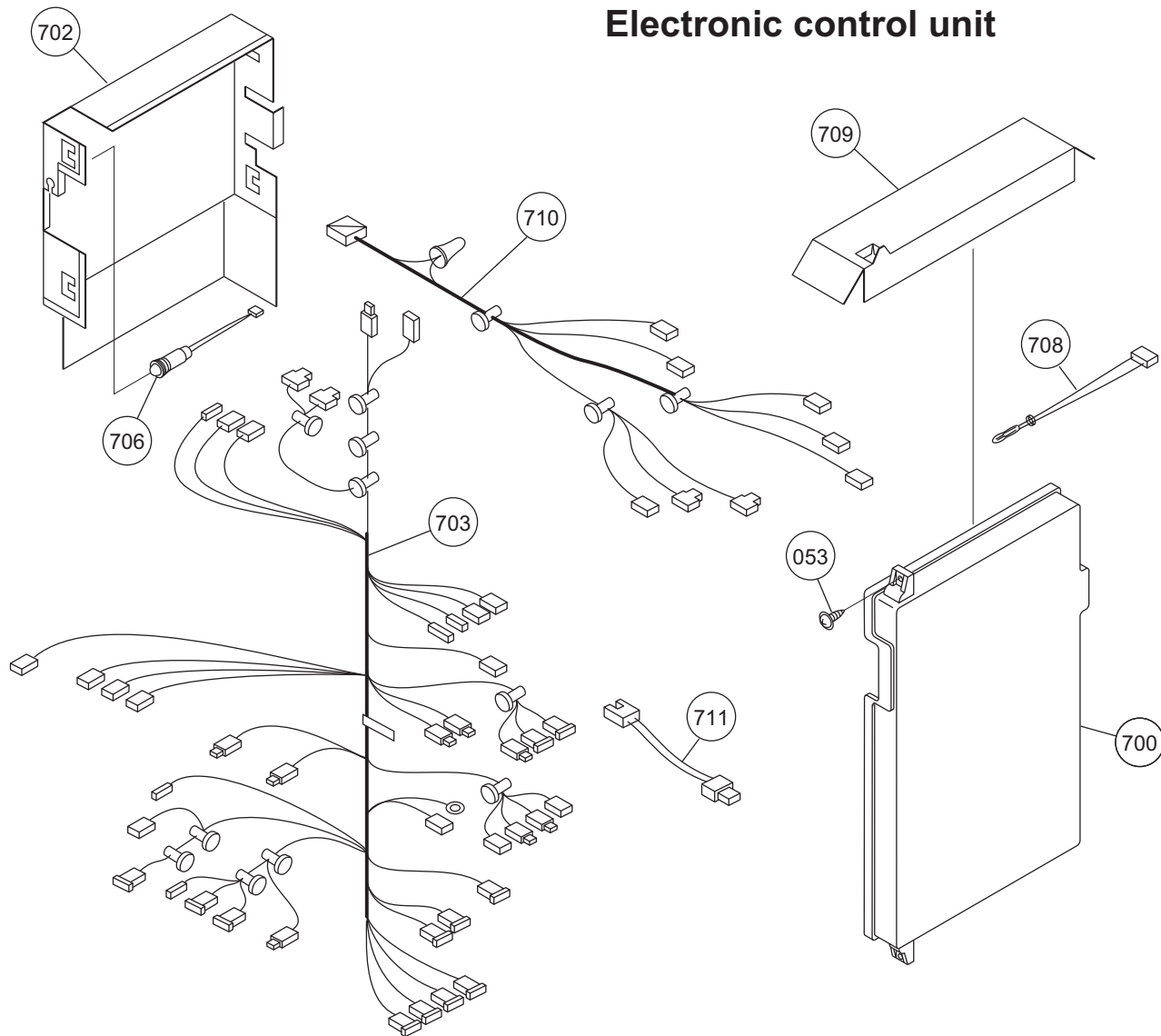
Hot-water feed route 2



Hot-water feed route 1/Hot-water feed route 2

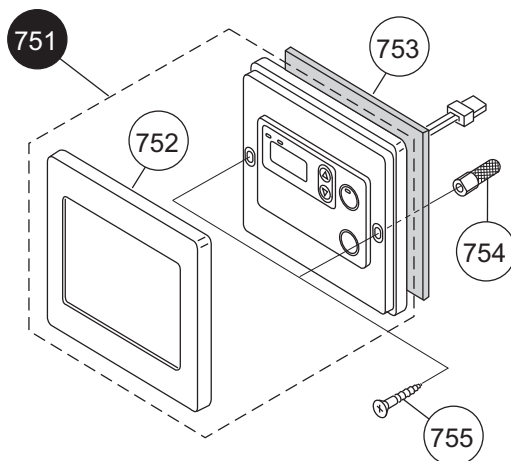
Part Nos.	Part Names	Order Nos.	Q'ty/unit
400	Piping base DMA	DMAB001	1
401	Thermal fuse fastener DMA	DMAH002	4
402	Collective lamp heat insulator DMB	DMBL004	3
403	Thermal fuse DFE 1 set V	SBA7650	1
404	Thermal fuse DMA set V	SBA7536	1
405	O-ring P20C	3059502	3
406	Collective lamp set DMB	DMBF001	1
410	Exhaust cylinder packing DMB	DMBL002	1
411	Case top cover DMB	DMBA006	1
412	Exhaust cylinder set DMB	DMBF002	1
413	Top cover packing DMB	DMBL001	1
414	Exhaust joint packing DMA	DMAL002	1
415	Freeze preventive heater Q CRP	CRPH003	3
416	Heater fastener DMA	DMAH003	6
417	High limit 105 BCS	BCSH003	1
418	FFL wind pressure switch	1735705	1
419	Wind pressure switch mounting plate DMB	DMBA010	1
420	Pressure reducing pipe DGG	DGGF011	1
421	Pressure reducing pipe packing CPL	CPLF029	1
422	Silicone tube ID6XT2X220DMB	DMBF020	1
423	F-point thermostat BHV	BHVV002	1
424	Wind pressure switch relay cord EAW	EAWJ005	1
426	Exhaust adapter EAU	EAUF001	1
427	Hot-water feed pipe DMA	DMAD024	1
428	Bypass pipe EAV	EAVD003	1
433	Water receiving pipe EAV	EAVD001	1
434	Water level sensor set 1 DUV	DUVD017	1
435	Magnetic sensor input BWC	BWCD093	1
440	Freeze preventive heater 3 BGD	BGDH002	4
443	Water level sensor set 3 DUV	DUVD019	1
444	O-ring P4C	1323709	4
445	Shut-off cock AXG	AXGD089	1
446	Thermistor holding plate ALS	ALSD088	4
447	Water inlet thermostat 300 BWC	BWCD097	1
448	Hot-water feed magnetic sensor BWC	BWCD090	1
449	Water inlet fitting 25ASET EAU	EAUD001	1
450	Water inlet filter CCP	CCPD031	1
451	Water inlet fitting cover DMA	DMAD037	1
452	O-ring JASO 2030 type 4 C	SAB4190	1
454	7-l/ Hot-water resistant O-ring P3	SAD6633	1
455	Water packing BJV	BJVD024	1
458	Drain cock CRU	CRUD003	1
459	Drain branching fitting SET EAV	EAVD011	1
460	Water inlet coupling DJP	DJPD012	1
464	Drain coupling DMA	DMAD009	1
465	Hot-water outlet fitting 25A set EAU	EAUD003	1
466	QMF safety valve A(S)	SAA2811	2
467	O-ring P24C	1322109	1
468	Hot-water resistant O-ring P9	SAD6635	2
471	O-ring P16C	3223302	3
476	Drip-proof cover CZL	CZLD041	1
477	Conduit 86 DMA	DMAJ007	1
478	Accumulator set DLW	DLWD001	1
480	Water level servo set 1 DMA set AS	SBC7551	1
481	Water level servo set 2 DMA set AS	SBC7552	1
482	Mixing pipe set DMA	DMAD014	1
483	Hot-water outlet thermostat 300 BWC	BWCD096	1
485	O-ring JASO 2026 type 4 C	SAA6483	1
486	Piping base thermostat 300 BWC	BWCD098	1

Electronic control unit

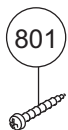


Remote controller

Kitchen remote controller
(RC-7646M USA)



Attached set



<Special part>

Special part	Special part no.
Instruction manual	888

