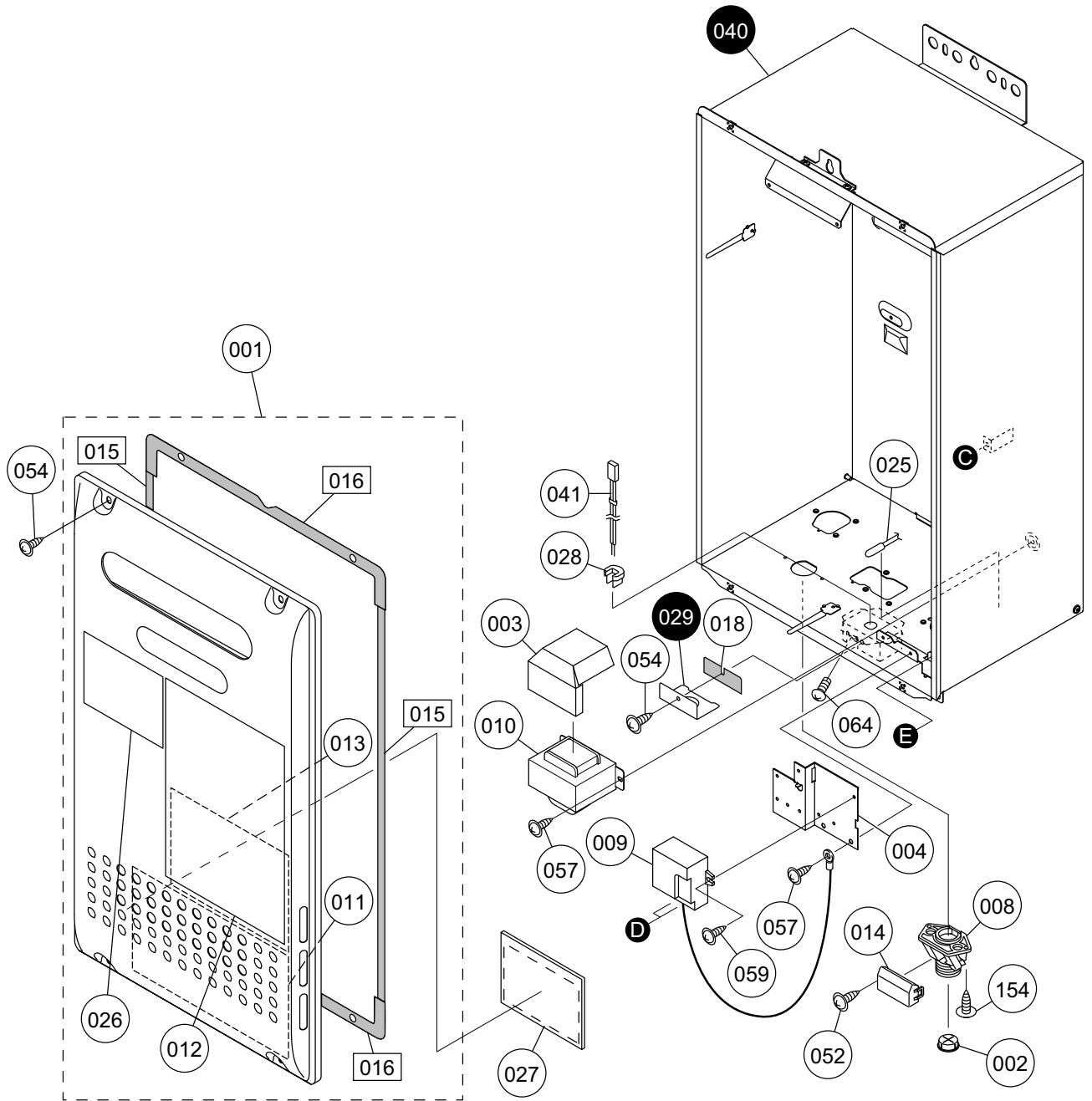
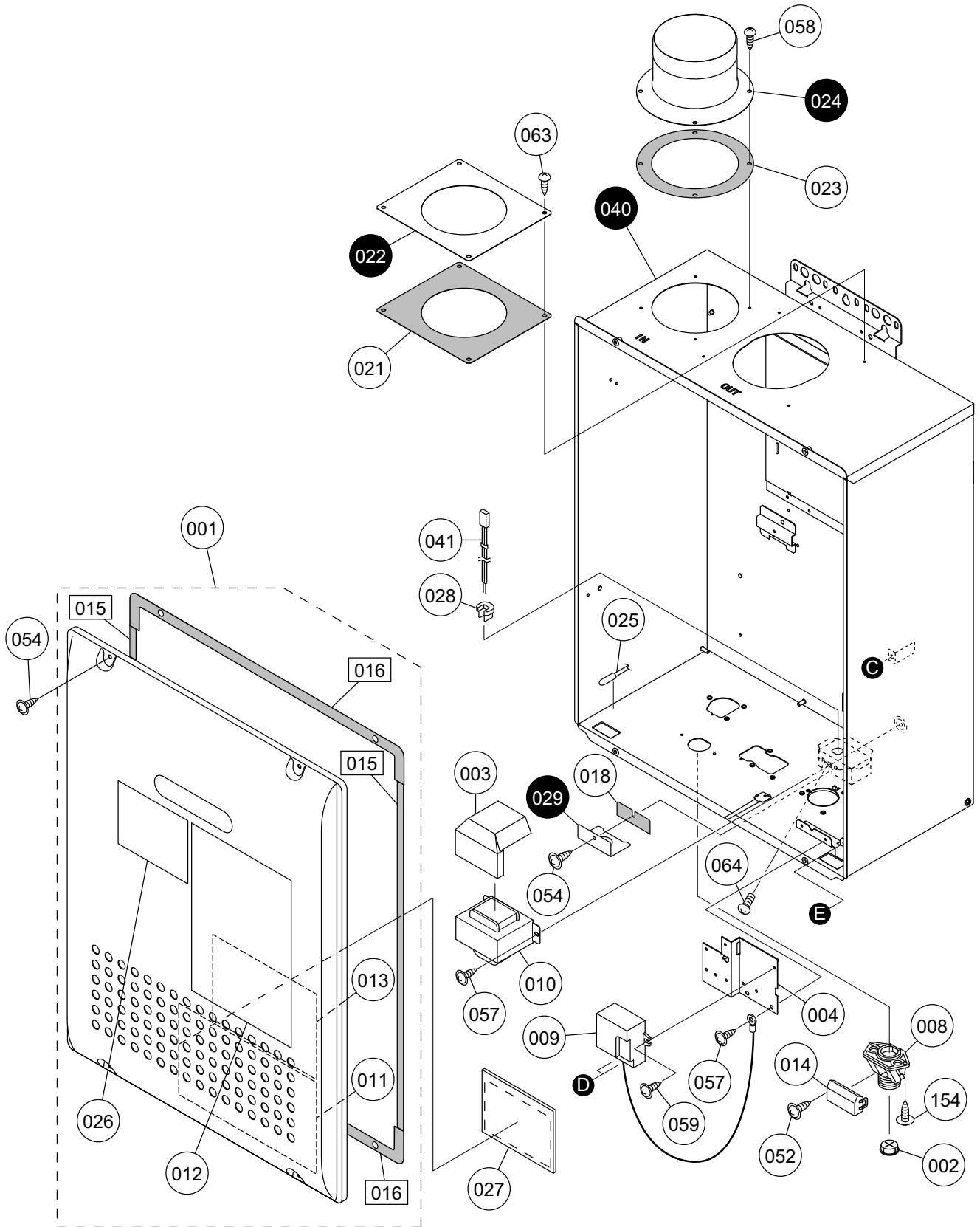


External outfitting N-0751M-OD



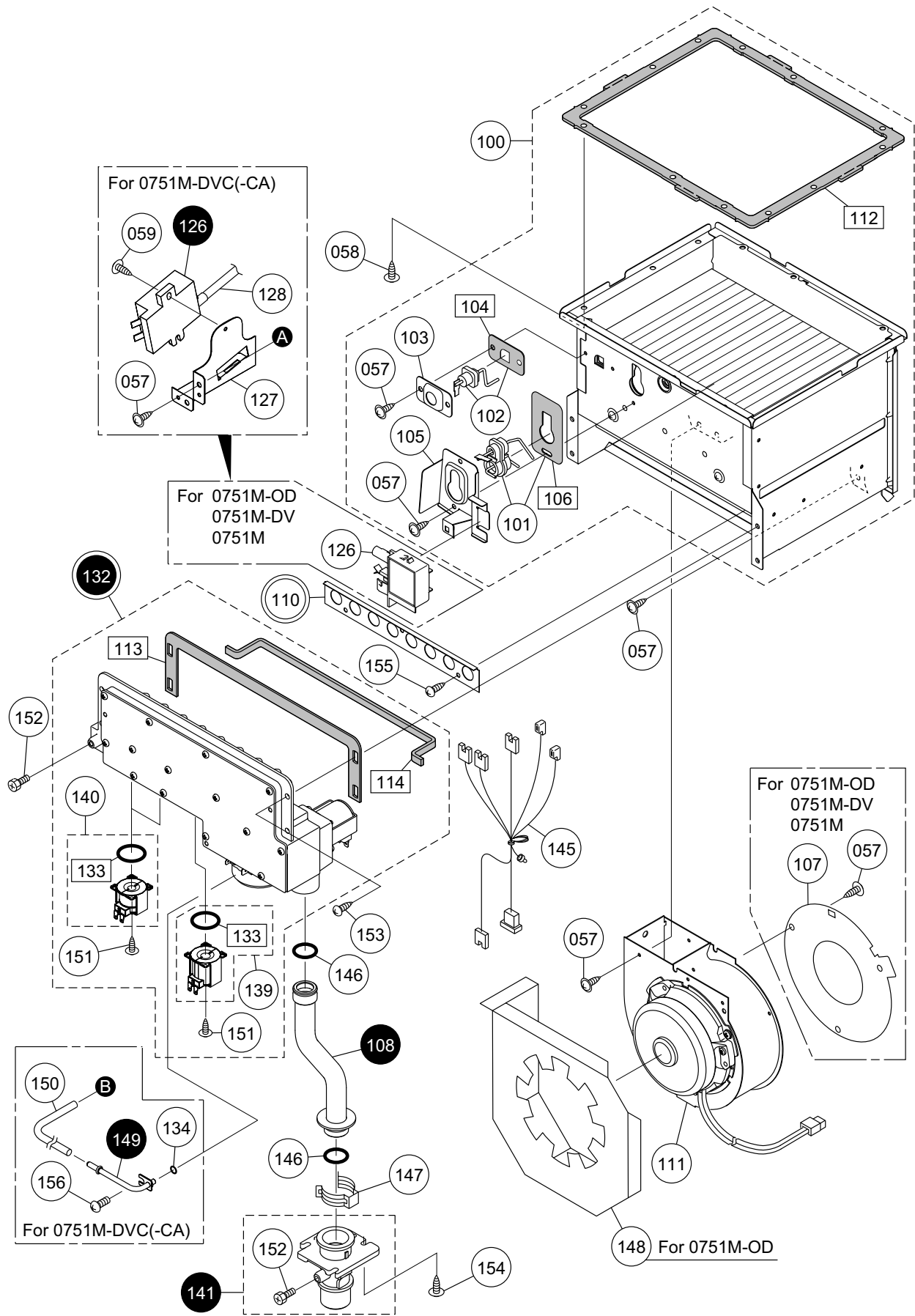
External outfitting N-0751M-DV



External outfitting N-0751M-OD,0751M-DV,0751M,0751M-DVC(CA)

Part Nos.	Part Names	Order Nos.	Q'ty/unit
001	N-0751M-OD Front set-AS N-0751M-DV Front set-AS N-0751M Front set-AS N-0751M-DVC Front set-AS	SKC7444 SKC7445 SKC7446 SKE7369	1<0751M-OD> 1<0751M-DV> 1<0751M> 1<0751M-DVC(-CA)>
002	Grommet CXP	CXPA026	1
003	Transformer cover ELV	ELVA055	1
004	Mounting plate for terminal block DZT	DZTA006	1
005	Case top cover 2 EDL	EDLA005	1<0751M>
007	Case top cover ELV Case top cover FFA ELV	ELVA006 ELVA099	1<0751M> 1<0751M-DVC(-CA)>
008	External connection terminal block set DNS	DNSA026	1<0751M-OD> 1<0751M-DV> 1<0751M>
009	Current leakage safety device DTJ	DTJJ015	1
010	Transformer EDN	EDNJ006	1
011	Connection diagram label ELV	ELVK001	1
012	Caution label ENG ELV	ELVK003	1
013	Caution label FRE ELV	ELVK006	1
014	External connection terminal block cover DNS	DNSA025	1<0751M-OD> 1<0751M-DV>
015	Front packing L AAP	AAPL017	1<0751M> 2<0751M-OD> 2<0751M-DV> 2<0751M>
016	Front packing 1 EAA	EAA002	2<0751M-OD> 0751M>
017	Front packing S AAP	AAPL015	2<0751M-DV>
018	Exhaust cylinder packing EDL	EDLL002	1<0751M>
019	Junction box cover packing ENW	ENWL005	1
021	Case top packing ELV Exhaust cover packing DCG	ELVL004 DCGL014	1<0751M> 1<0751M-DV>
022	Exhaust cover FF100 EHK	EHKF242	1<0751M-DV>
023	Intake pipe packing EHK	EHKL084	1<0751M-DV>
024	Intake pipe ELE	ELEF001	1<0751M-DV>
025	Air thermistor BWC	BWCH003	1
026	Rating plate 2 OD (W) ELV	ELVK009	1<0751M-OD>
027	Rating plate 2 DV (FF) ELV Rating plate 2 H ELV Rating plate 2 DVC(FFA) ELV Parts list label set ELV-A	ELVK010 ELVK004 ELVK025 ELVK062	1<0751M-DV> 1<0751M> 1<0751M-DVC(-CA)> 1
028	Cord bushing SR-5P-4	SAE6198	1
029	Junction box cover ENW	ENWA015	1
040	Case SET OD ELV-A Case SET DV ELV-A Case SET ELV-A Case SET FFA ELV	ELVA322 ELVA323 ELVA321 ELVA081	1<0751M-OD> 1<0751M-DV> 1<0751M> 1<0751M-DVC(-CA)>
041	Conduit 92-120V ENJ	ENJJ020	1
042	Duct packing ELV	ELVL014	1<0751M-DVC(-CA)>
043	Fan Suction packing ELV	ELVL013	1<0751M-DVC(-CA)>
044	Mounting plate for remote controller ELV	ELVA100	1<0751M-DVC(-CA)>
045	RC-7649M Body USA Unit QME	QMEJ008	1<0751M-DVC>
	RC-7650M Body ENG Unit QXU	QXUJ005	1<0751M-DVC-CA>
052	Cross recessed round-head collar P TIGHT screw 4X12		<0751M-OD> <0751M-DV> <0751M>
054	Cross recessed truss type3 EVERTIGHT tapping screw with PW 4X12		
056	Cross recessed bind machine screw M3.5X6		
057	Cross recessed round-head collar N-tapping screw 4X8		
058	Cross recessed round-head collar N-tapping screw 4X10		
059	Cross recessed round-head collar N-tapping screw 4X12		
060	Cross & straight recessed truss type3 S TIGHT tapping screw 4X10		<0751M>
063	Cross recessed truss N-tapping screw with PW 4X12		<0751M-DV> <0751M-DVC(-CA)>
064	Cross recessed truss machine screw M4X8		
065	Cross recessed round-head collar type3 EVERTIGHT tapping screw 4X18		<0751M-DVC(-CA)>

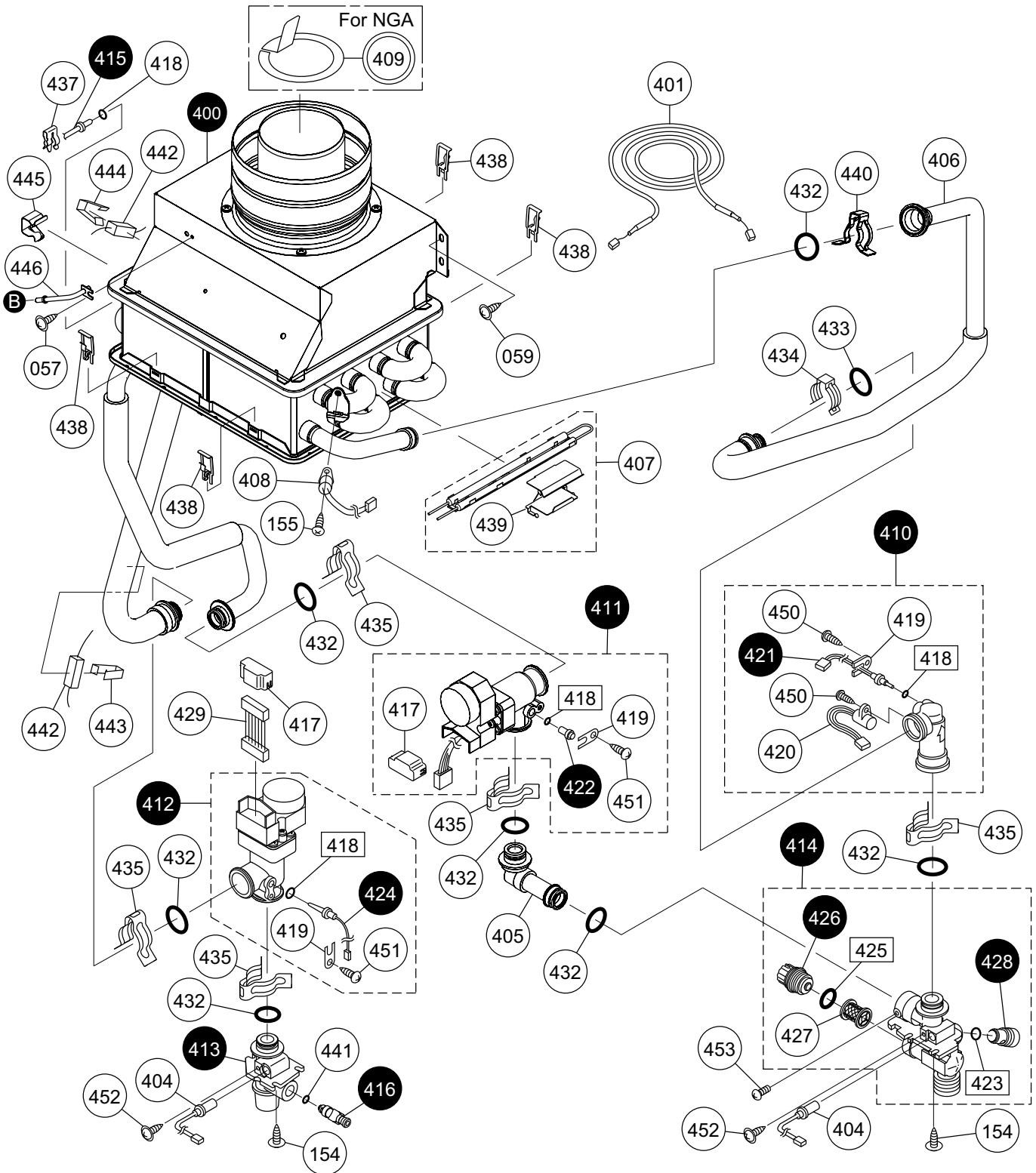
Combustion unit and gas route N-0751M-OD,0751M-DV,0751M,0751M-DVC(CA)



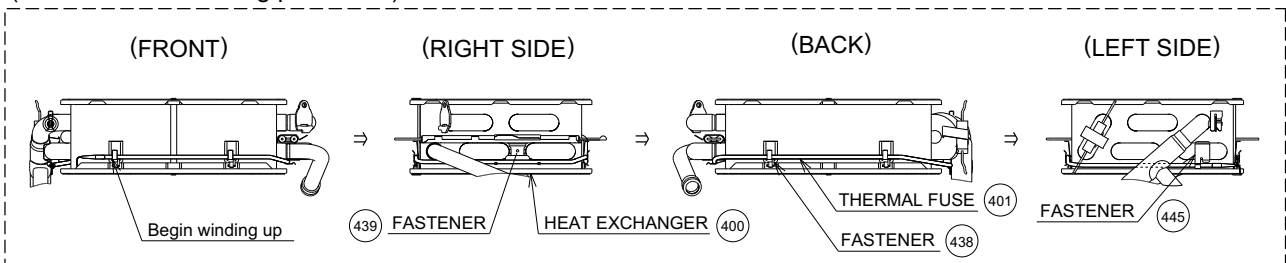
Combustion unit and gas route N-0751M-OD,0751M-DV,0751M,0751M-DVC(CA)

Part Nos.	Part Names	Order Nos.	Q'ty/unit
100	Combustion tube set ELV SET-V	SKC7447	1
101	Ignition plug ELV & packing EHK SETV	SKC7448	1
102	Flame rod ELV & packing DJP SETV	SKC7449	1
103	Sensor fixing plate DJP	DJPC012	1
104	Sensor packing DJP	DJPL004	1
105	Mounting plate for Plug H EGL	EGLC035	1
106	Plug packing H EHK	EHKL002	1
107	Bell-mouth ϕ 48 CRU	CRUC046	1<0751M-OD> 1<0751M-DV> 1<0751M>
108	Manifold pipe ELV	ELVE007	1<0751M-OD> 1<0751M-DV> 1<0751M>
	Manifold pipe FFA ELV	ELVE009	1<0751M-DVC(-CA)>
110	Main damper 11-13 ELV	ELVC051	1<0751M-OD>
	Main damper 9-13 ELV	ELVC053	1<0751M-DV NGA>
	Main damper 9-10 ELV	ELVC055	1<0751M-DV LPG>
	Main damper 13 ELV	ELVC052	1<0751M NGA>
	Main damper 11 ELV	ELVC054	1<0751M LPG> 1<0751M-DVC(-CA) LPG>
111	Main damper 9-13H ELV	ELVC057	1<0751M-DVC(-CA) NGA>
	Fan motor 100 EJA (EGN) SET-AS	SKC7470	1<0751M-OD> 1<0751M-DV> 1<0751M>
	Fan motor 110 ELV SET-AS	SKE7391	1<0751M-DVC(-CA)>
112	Suction air joint packing ELV	ELVL001	1
113	Manifold seal packing top ELV	ELVL003	1
114	Manifold seal packing bottom ELV	ELVL007	1
126	Igniter EHE	EHEJ003	1<0751M-OD> 1<0751M-DV> 1<0751M>
127	Igniter AGV	AGVJ007	1<0751M-DVC(-CA)>
	Mounting plate for igniter DTJ	DTJA015	1<0751M-DVC(-CA)>
128	High-voltage cord 470	SAC1229	1<0751M-DVC(-CA)>
132	Gas mech. manifold 29 ELV SET-AS	SKC7457	1<0751M-OD NGA> 1<0751M-DV NGA> 1<0751M NGA> 1<0751M-OD LPG> 1<0751M-DV LPG> 1<0751M LPG>
	Gas mech. manifold 20 ELV SET-AS	SKC7456	1<0751M-DVC(-CA) LPG>
	Gas mech. manifold 33 ELV SET-AS	SKE7372	1<0751M-DVC(-CA) NGA>
133	O-ring JASO 2030 type 1	SAA6044	3
134	O-ring P4	2100908	1<0751M-DVC(-CA)>
139	Solenoid S16 CRU SET-V	SBB7213	1
140	Solenoid S09L EBT SET-V	SBP7501	2
141	Gas fitting 20A SET ELV	ELVE021	1
145	Gas mech. harness ELV	ELVJ018	1
146	O-ring P18	2110903	2
147	Quick fastener 16B	6340407	1
148	Fan case waterproof cover ELV	ELVA060	1<0751M-OD>
149	Feed back pipe S EHK	EHKA046	1<0751M-DVC(-CA)>
150	Silicone tube ID3.5XT1 ELV	ELVL018	1<0751M-DVC(-CA)>
151	Cross recessed round-head SPAK machine screw with guide M4X12		
152	Cross recessed hexagon head machine screw M4X8		
153	Cross recessed round-head type3 EVERTIGHT tapping screw 5X16		
154	Cross recessed round-head collar type3 EVERTIGHT tapping screw 4X12		
155	Cross recessed round-head N-tapping screw 4X8		
156	Cross recessed round-head P TIGHT screw 4X6		<0751M-DVC(-CA)>

Hot-water feed route N-0751M-DVC(CA)



(Thermal fuse rounding procedure)



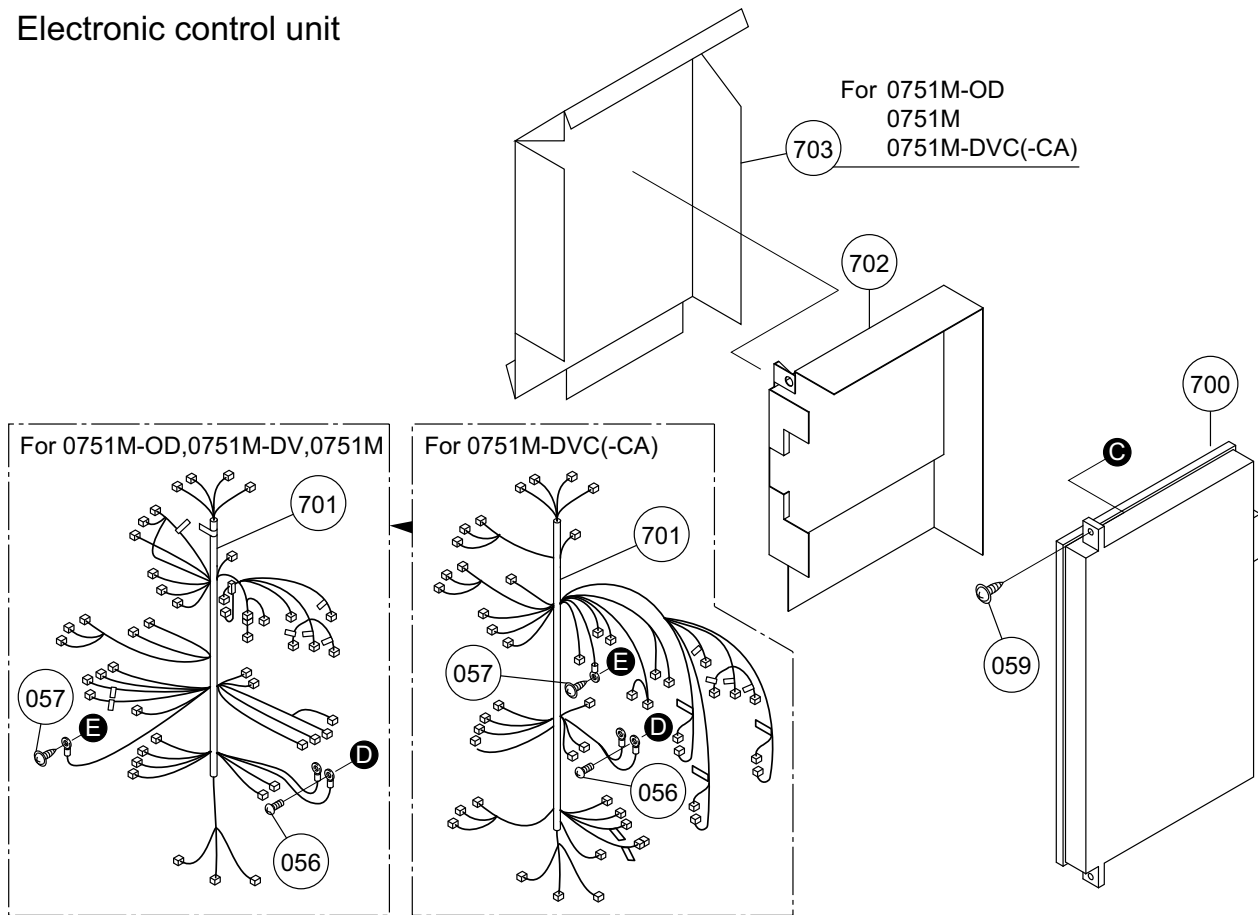
Hot-water feed route N-0751M-OD,0751M-DV,0751M,0751M-DVC(CA)

Part Nos.	Part Names	Order Nos.	Q'ty/unit
400	Heat exchanger & Exhaust box OD ELV SETAS	SKC7450	1<0751M-OD>
	Heat exchanger & Exhaust box DV ELV SETAS	SKC7451	1<0751M-DV>
	Heat exchanger & Exhaust box ELV SET-AS	SKC7452	1<0751M>
	Heat exchanger & Exhaust box FFA ELVSETAS	SKE7370	1<0751M-DVC(-CA)>
401	Thermal fuse ELV SET-V	SKC7453	1
402	Front top packing Q CZR	CZRL001	1<0751M-OD>
404	Freeze preventive heater 3 BGD	BGDH002	2
405	Bypass pipe ELV	ELVD001	1<0751M-OD> 1<0751M-DV> 1<0751M>
406	Bypass pipe FFA ELV	ELVD053	1<0751M-DVC(-CA)>
	Water inlet pipe ELV	ELVD010	1<0751M-OD> 1<0751M-DV> 1<0751M>
	Water inlet pipe FFA ELV	ELVD051	1<0751M-DVC(-CA)>
407	Freeze preventive heater EBT ELV SETV	SKC7454	1
408	Remaining flame safety device 94 ELV	ELVH002	1
409	Exhaust ring ELV	ELVF060	1<0751M-DVC(-CA) NGA>
410	Water flow sensor set 3 DUV	DUVD019	1
411	Water flow servo set 1 DZT	DZTD010	1
412	Water flow servo set 2 DZT	DZTD011	1
413	Hot-water outlet fitting 20A EHU	EHUD004	1
414	Water inlet fitting 20ASET EJM	EJMD002	1
415	Hot-water thermistor-300 BWC	BWCD096	1
416	Drain cock CRU	CRUD003	1
417	Waterproof cover CZL	CZLD041	2
418	O-ring P4C	1323709	4
419	Thermistor holding plate ALS	ALSD088	3
420	Water outlet magnetic sensor BWC	BWCD090	1
421	Water inlet thermistor-300 BWC	BWCD097	1
422	Shut-off cock AXG	AXGD089	1
423	Hot-water resistant O-ring P9	SAD6635	1
424	Heat exchanger thermistor-300 BWC	BWCD098	1
425	O-ring 16DF BRQ	BRQL008	1
426	Water filter cover DTJ	DTJD006	1
427	Water filter (SUS) EGB	EGBD032	1
428	QMF safety valve A(S)	SA2811	1
429	Conduit 86 DZT	DZTJ008	1
432	O-ring P16C	3223302	7
433	O-ring P12.5C	3359808	1
434	Quick fastener 12.7	6340202	1
435	Quick fastener 16A	6340300	3<0751M-OD> 3<0751M-DV> 3<0751M>
	Quick fastener 16A	6340300	5<0751M-DVC(-CA)>
437	Sensor fastener CRU	CRUD055	1
438	Thermal fuse fastener EGL	EGLH002	4
439	Heater fastener ELV	ELVH018	1
440	Quick fastener 16-25	SAD6593	3<0751M-OD> 3<0751M-DV>
441	Quick fastener 16-25	SAD6593	3<0751M>
441	Hot-water resistant O-ring P3	SAD6633	1
442	Freeze preventive heater 2 BGD	BGDH005	1<0751M-OD,0751M>
	Freeze preventive heater 2 BGD	BGDH005	2<0751M-DV>
443	Heater fastener 22.2 ELV	ELVL011	2<0751M-DVC(-CA)> 1
444	Heater fastener LL CPL	CPLL002	1<0751M-DV> 1<0751M-DVC(-CA)>
445	Thermal fuse fastener 16 CMN	CMNH003	1
446	Feed back pipe S EHK	EHKA046	1<0751M-DVC(-CA)>
450	Cross recessed round-head P TIGHT screw 4X10		
451	Cross recessed round-head P TIGHT screw 4X10		
452	Cross & straight recessed round-head collar type3 S TIGHT tapping screw 4X8		
453	Cross recessed round-head machine screw M4X8		

Electronic control unit, Remote controller and Attached set

N-0751M-OD,0751M-DV,0751M,0751M-DVC(CA)

Electronic control unit

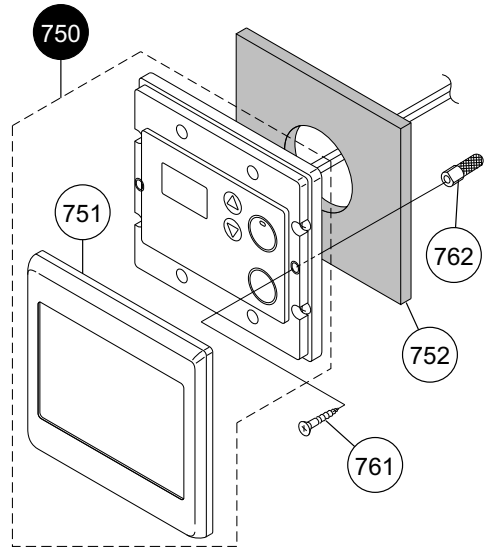


Optional

Remote controller

For 0751M-OD,0751M-DV,0751M
RC-7649M-USA

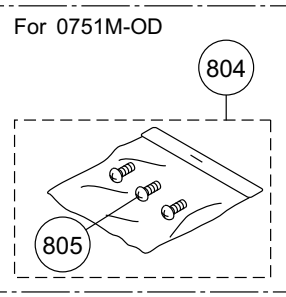
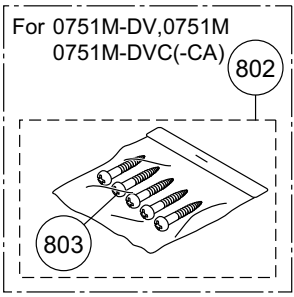
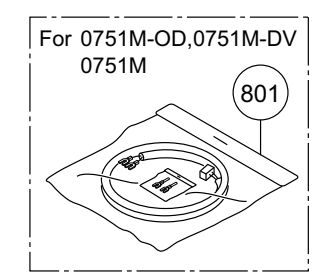
(Temperature: °F Expression
Water Volume: Gallon Expression



For 0751M-OD,0751M-DV,0751M
RC-7650M-ENG (For Canada)

(Temperature: °C Expression
Water Volume: Liter Expression

Attached set



<Special part>

Special part	Special part no.
Owner's guide	888
Installation manual	889

※ To request a French version of the Owner's guide or Installation manual, contact Noritz America.

Electronic control unit, Remote controller and Attached set N-0751M-OD,0751M-DV,0751M,0751M-DVC(CA)

Part Nos.	Part Names	Order Nos.	Q'ty/unit
700	Relay case ELV-C SET-AS	SHA7998	1<0751M-OD> 1<0751M-DV> 1<0751M>
701	Relay case ELW-A SET-AS Harness H ELV	SHA7996 ELVJ002	1<0751M-DVC(-CA)> 1<0751M-OD,0751M>
702	Harness DV ELV Harness FFA ELV	ELVJ012 ELVJ053	1<0751M-DV> 1<0751M-DVC(-CA)>
703	Relay case cover DEK Relay case waterproof cover ELV	DEKA014 ELVA059	1 1<0751M-OD> 1<0751M>
			1<0751M-DVC(-CA)>
750	RC-7649M Body USA QME RC-7650M Body ENG QXU	QMEJ007 QXUJ003	1<0751M-OD> 1<0751M-DV> 1<0751M> 1<0751M-OD canada> 1<0751M-DV canada>
751	M Dressed frame body QME	QMEA003	1<0751M canada> 1<0751M-OD> 1<0751M-DV> 1<0751M>
752	Wall packing QHU	QHUA115	1<0751M-OD>
761	Cross recessed round wood screw 4.1X25		1<0751M-DV> 1<0751M> <0751M-OD> <0751M-DV> <0751M>
762	Oar plug 6X25		<0751M-OD> <0751M-DV> <0751M>
800	N-0751M packing set-V N-0751M-DV packing set-V N-0751M-DVC packing set-V	SKC7455 SKC7340 SKE7371	1<0751M-OD,0751M> 1<0751M-DV> 1<0751M-DVC(-CA)>
801	Remote controller cord S SET EAU	EAUM001	1<0751M-OD> 1<0751M-DV>
802	Screw SET(W)	SAB2753	1<0751M> 1<0751M-DV> 1<0751M> 1<0751M-DVC(-CA)>
803	Cross recessed round-head type 1 tapping screw 5X35		<0751M-DV> <0751M> <0751M-DVC(-CA)>
804	PS3 Screw SET	SAB2286	1<0751M-OD>
805	Cross recessed round-head machine screw M5X12		<0751M-OD>
888	Owner's guide N-0751M-OD Owner's guide N-0751M-DV Owner's guide N-0751M Owner's guide N-0751M-DVC Owner's guide SETN-0751M-DVC	SAR8559 SAR8560 SAR8558 SAR8905 SAV8014	1<0751M-OD> 1<0751M-DV> 1<0751M> 1<0751M-DVC> 1<0751M-DVC-CA>
889	Installation manual N-0751M-OD Installation manual N-0751M-DV Installation manual N-0751M Installation manual N-0751M-DVC Installation manual N-0751MDVC-CA E	SAR8562 SAR8563 SAR8561 SAR8906 SAV8017	1<0751M-OD> 1<0751M-DV> 1<0751M> 1<0751M-DVC> 1<0751M-DVC-CA>
	Installation manual N-0751MDVC-CA F	SAV8018	1<0751M-DVC-CA canada>