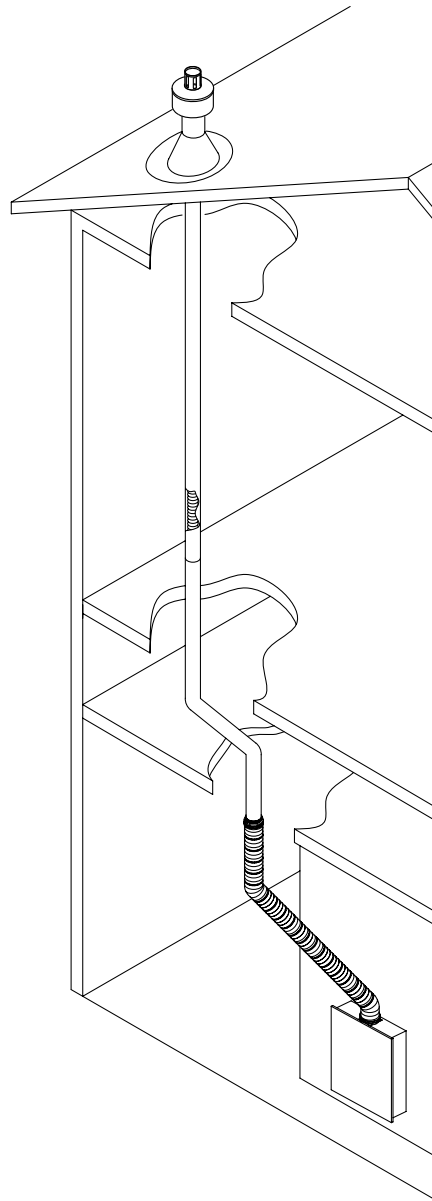

EZTR 25 Feet START-UP GUIDE

VENT KIT FOR TANKLESS WATER HEATER



SCAN FOR
INSTALLATION VIDEO

EZ2FVK-1-SUG
Rev. 02/20

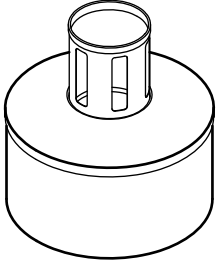
SBB80TY

PRE-INSTALLATION

PLANNING INSTALLATION

Compare all parts with the Package Contents list. If any part appears missing or damaged, do not install this kit. Contact customer care immediately.

Contact details are available on the rating plate of the water heater.



Universal Rain Cap

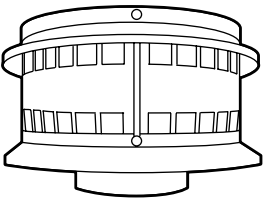
This is the default, universal rain cap that can be used to replace the former rain cap at the installation site. It enables you to easily cut the flex pipe and install without having to take into consideration the varying rain caps and their different fittings and sizes.

PAUSE FOR A MOMENT

Verify if the installation of a rain cap of different appearance will conflict with Home Owners Associations rules to prevent future issues.

If OK, proceed with installation.

If NOT, contact customer care to purchase optional installation kit for existing Rain Cap. Contact details are available on the rating plate of the water heater.



Brand Name Rain Cap

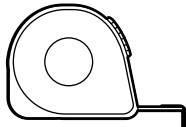
Sometimes you may run into scenarios when Home Owners Associations have rules preventing rain caps that vary in appearance. If this is the case, contact customer care to purchase optional installation kit for existing Rain Cap.

Contact details are available on the rating plate of the water heater.

TOOLS REQUIRED



Marker



Tape Measure



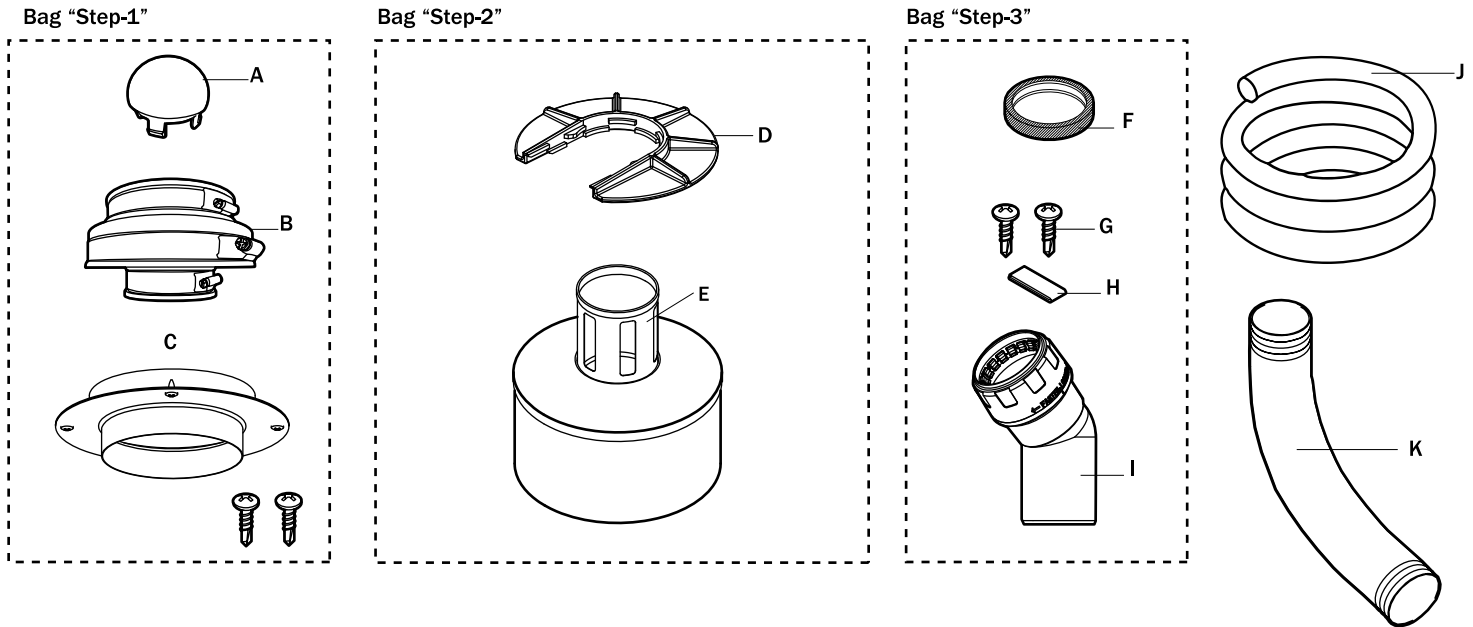
Flathead Screwdriver



2 Inch PVC Cutter Box Cutter


PRE-INSTALLATION

PACKAGE CONTENTS

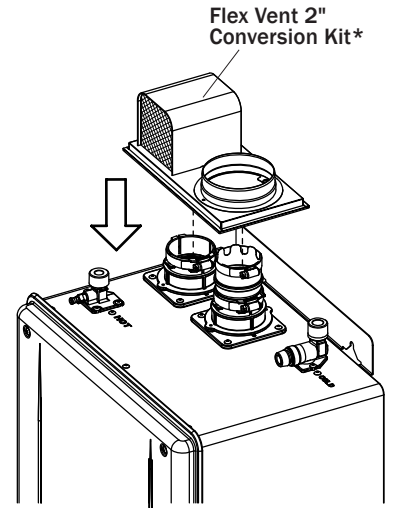


Part	Description	Quantity
A	Flex feeder	1
B	Base junction support	1
C	Base junction adapter set	1
D	Top flex support	1
E	Universal rain cap	1
F	Flex vent 2" gasket	1

Part	Description	Quantity
G	Fastening screws	2
H	Aluminum tape	1
I	Rigid 45 elbow set	1
J	Flex pipe 2"	1
K	Flex sleeve	1

 **Be sure to do** Only use the parts provided in the package for construction. Using parts other than the ones provided may cause the product to be assembled incorrectly.

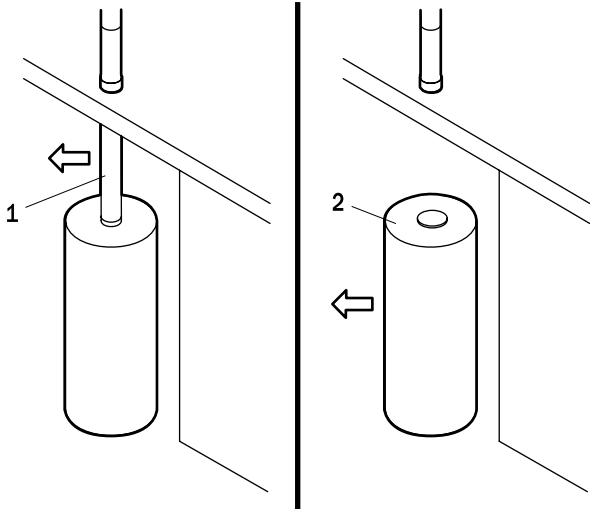
***Follow the instruction in the Flex Vent 2" Conversion Kit Installation Manual to install the Flex Vent 2" Conversion Kit.**
Note : This manual illustrates installation for the NRC663-FSV.
 Installation for other models may vary slightly.



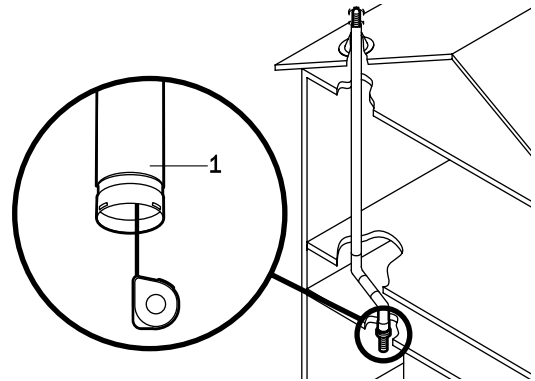
e.g.) Water Heater : EZTR50(EZ98DV)

INSTALLATION

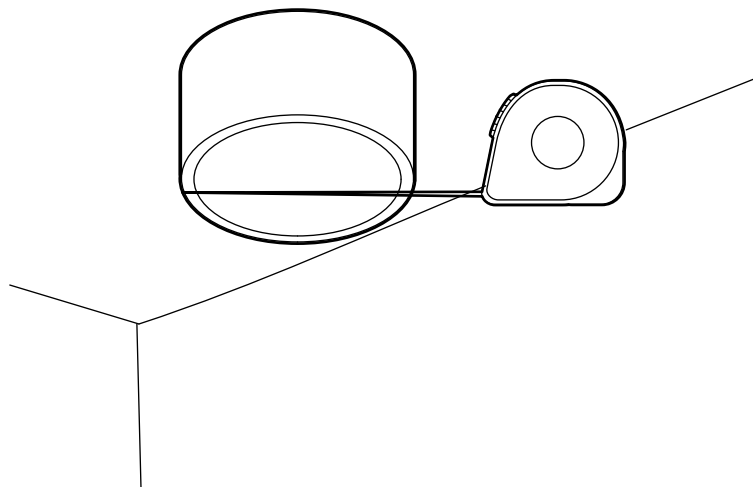
- 1** Remove the B-vent from the ceiling down and the tank.



- 2** Measure the vent length from the bottom of the B-Vent to the roof termination.



- 3** Determine the size of your venting.
Is it 3" or 4"?



INSTALLATION (CONTINUED)

4 Install the base junction support based on the 3" or 4" venting structure.



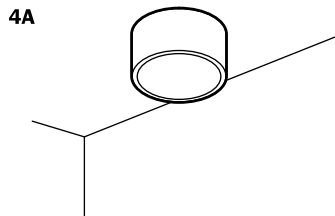
Be sure to do

If the strength of the ceiling is not sufficient (i.e. plasterboard), take appropriate measures to ensure safe installation.

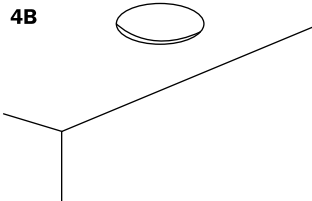
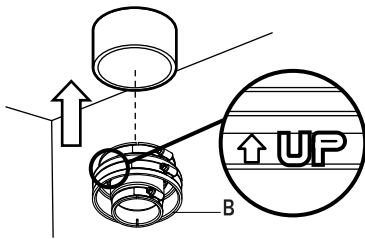
3" B-vent Termination

OR

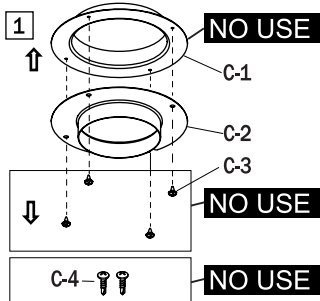
4" B-vent Termination



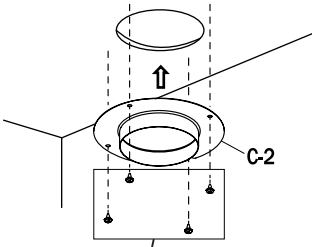
1 Install the base junction support onto the B-vent.



If no B-vent is protruding, install the base junction adapter.

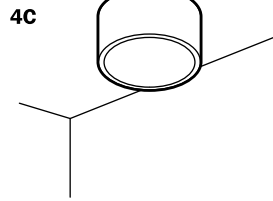
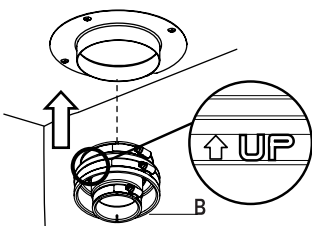


2 Screw the base junction adapter into place.



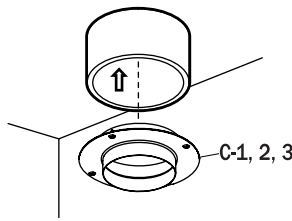
Use appropriate screws for the ceiling. (must be field supplied.)

3 Install the base junction support onto the base junction adapter.

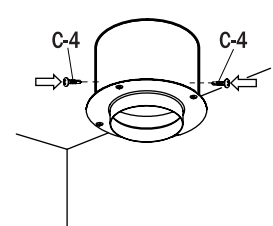


If B-vent is protruding, install the base junction adapter.

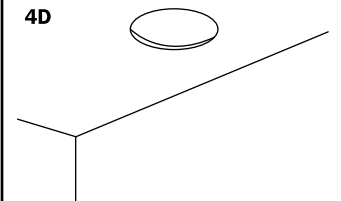
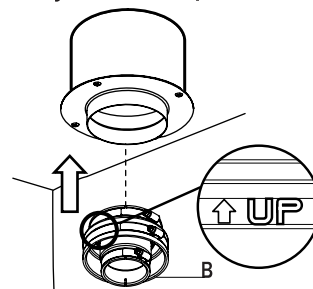
1 Insert base junction adapter into B-vent



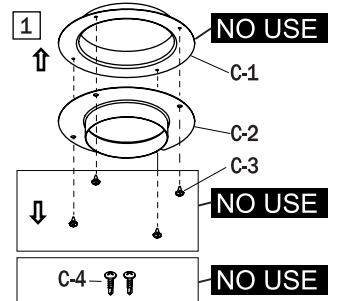
2 Screw the base junction adapter into place.



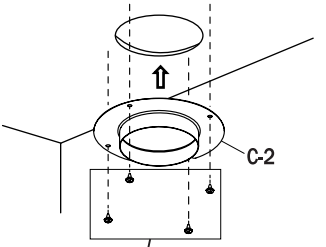
3 Install the base junction support onto the base junction adapter.



If no B-vent is protruding, install the base junction adapter.

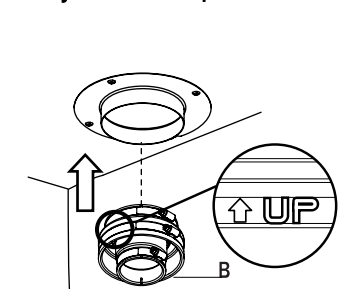


2 Screw the base junction adapter into place.



Use appropriate screws for the ceiling. (must be field supplied.)

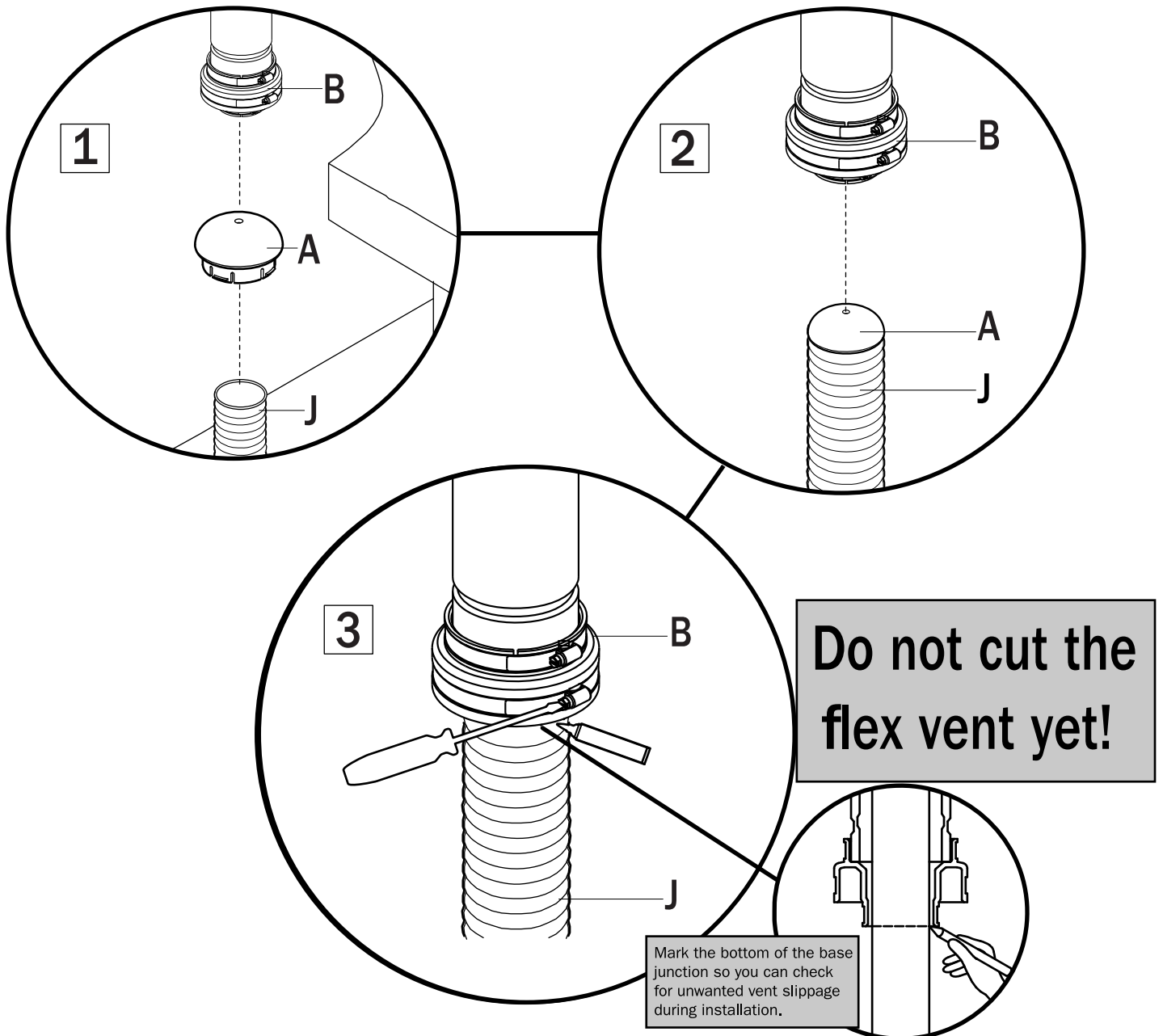
3 Install the base junction support onto the base junction adapter.



INSTALLATION (CONTINUED)

5 Install the flex pipe 2" into the B-vent.

- Attach the flex feeder **1** and feed flex pipe 2" through the B-vent to the rain cap **2**. Mark and tighten **3**.



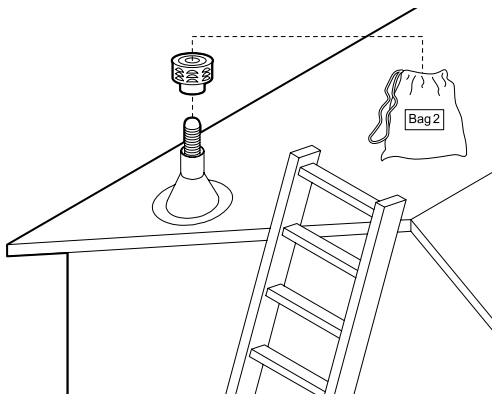
INSTALLATION (CONTINUED)

6 Remove the rain cap.

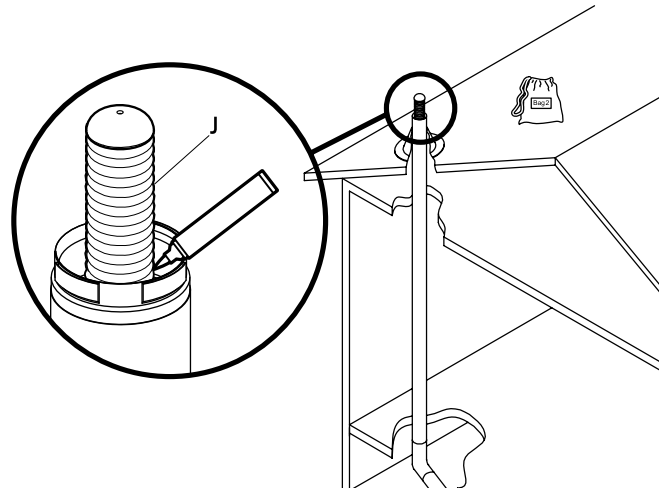
WARNING

Use extreme caution when working on rooftops.

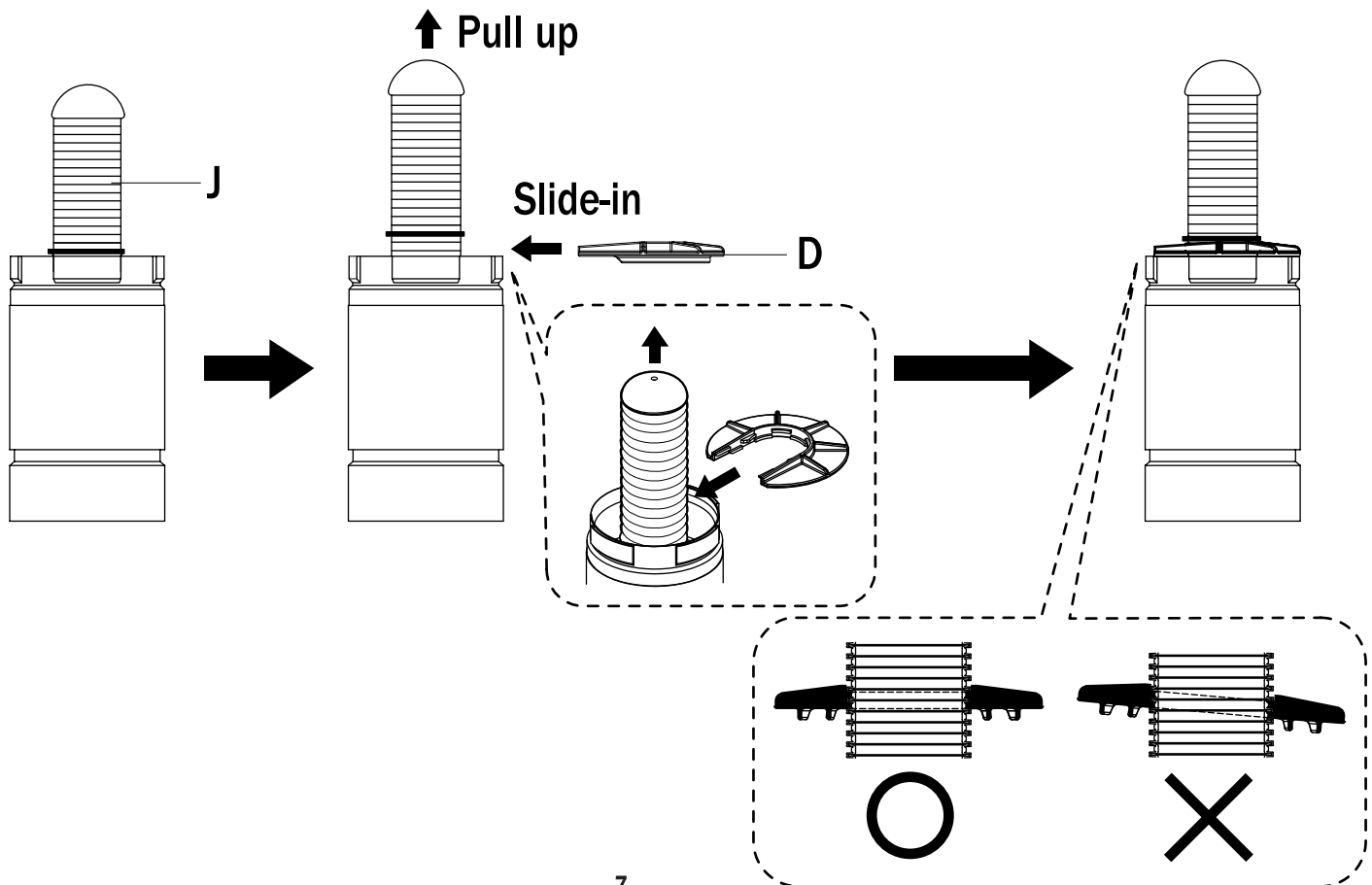
- Climb up to the roof, remove the rain cap and place it in parts bag Step-2, ensuring it will not fall off. Clean any debris from the inside of the B-vent.



7 Mark the position of the flex pipe 2”.

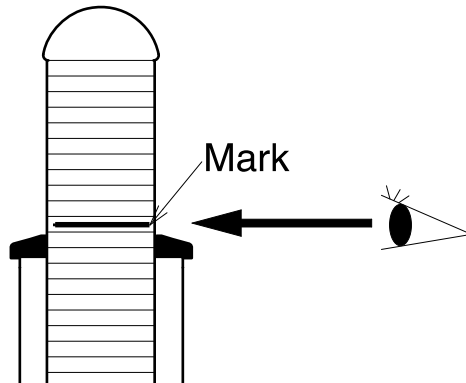


8 Slide-in the top flex support to the flex pipe 2”.



INSTALLATION (CONTINUED)

- 9** Check and make sure the mark is still visible after sliding the flex support over the flex pipe 2".



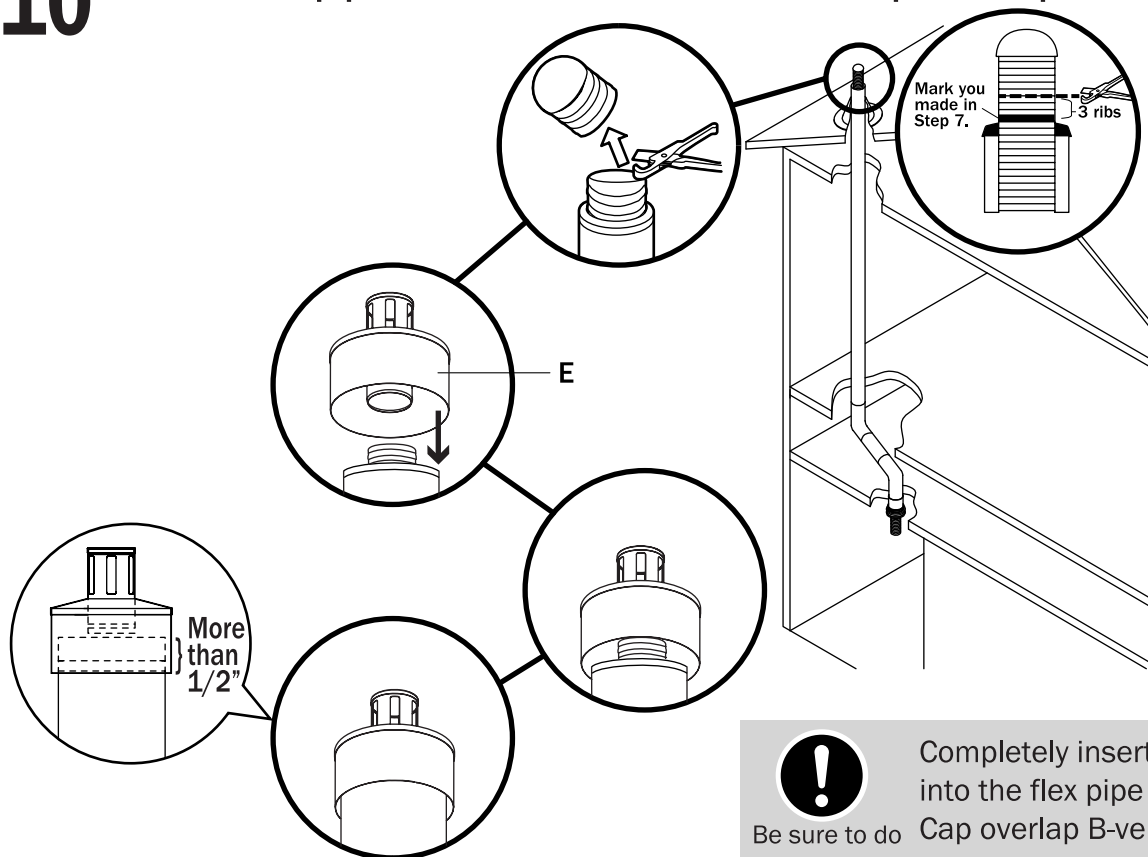
PAUSE FOR A MOMENT

Verify if the installation of a rain cap of different appearance will conflict with Home Owners Association rules to prevent future issues.

If OK, proceed with step 10.

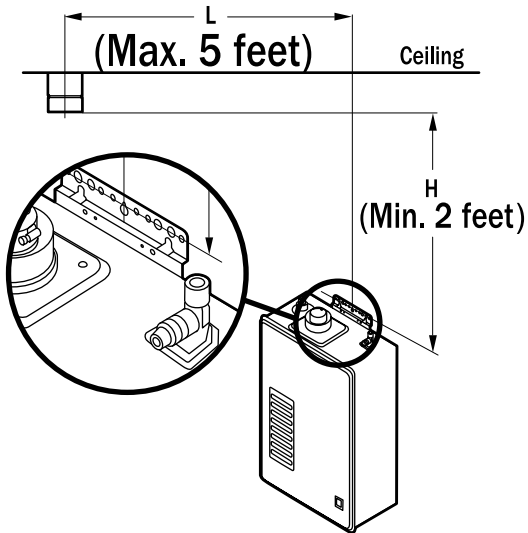
If NOT, contact customer care to purchase optional installation kit for existing Rain Cap. Contact details are available on the rating plate of the water heater.

- 10** Cut the flex pipe 2". Insert the universal rain cap until top flex support is covered.

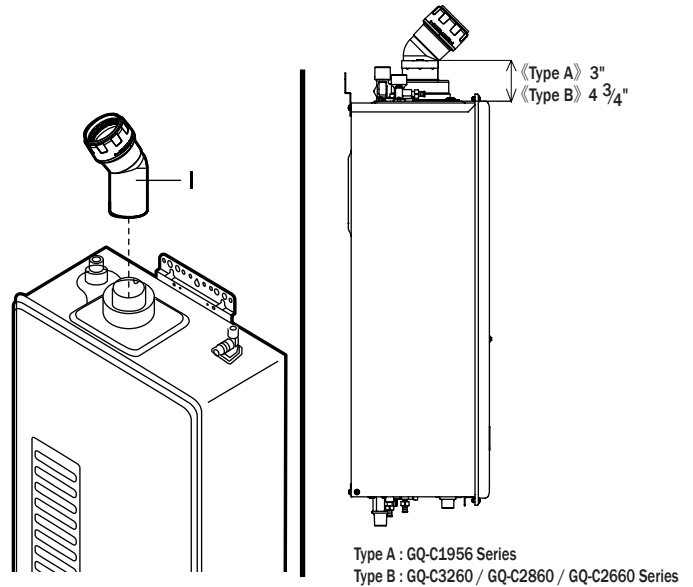


INSTALLATION (CONTINUED)

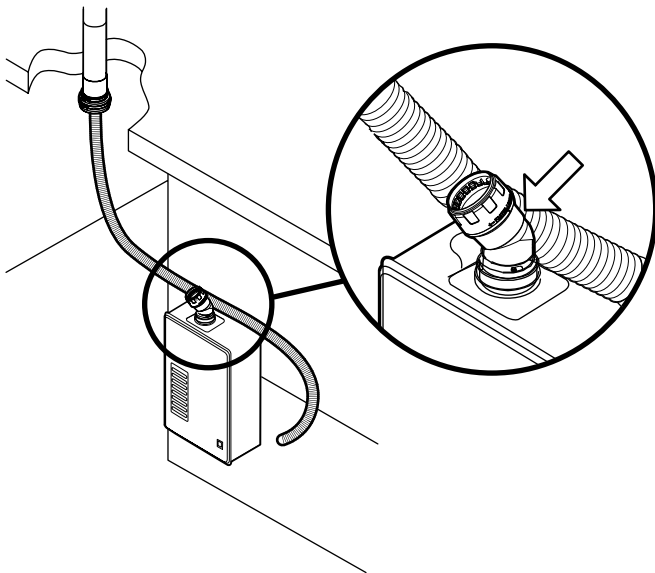
11 Install the water heater according to the Unit's Installation Manual.



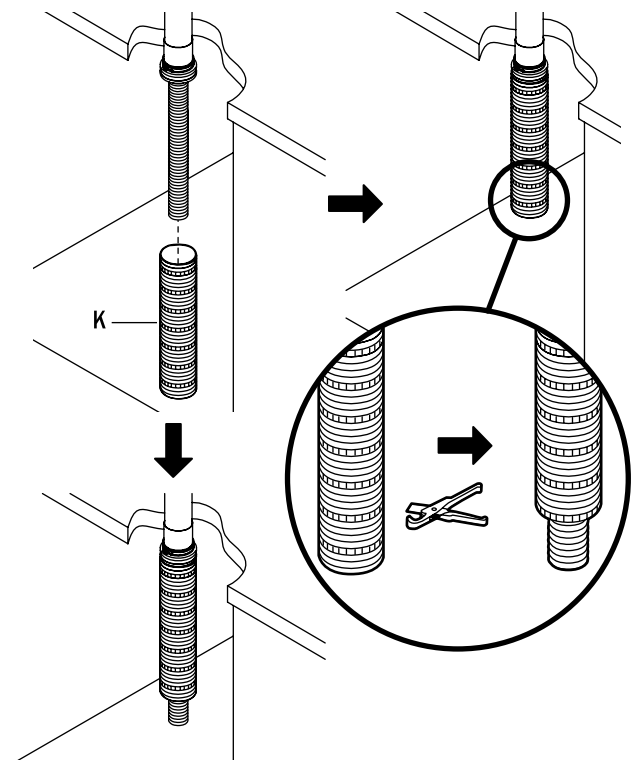
12 Attach the Rigid 45 Elbow Set to the connector pipe until fully seated.



13 Cut the flex pipe 2" to the appropriate length (longer length better than shorter). Flex pipe 2" cannot be lengthened after this point!

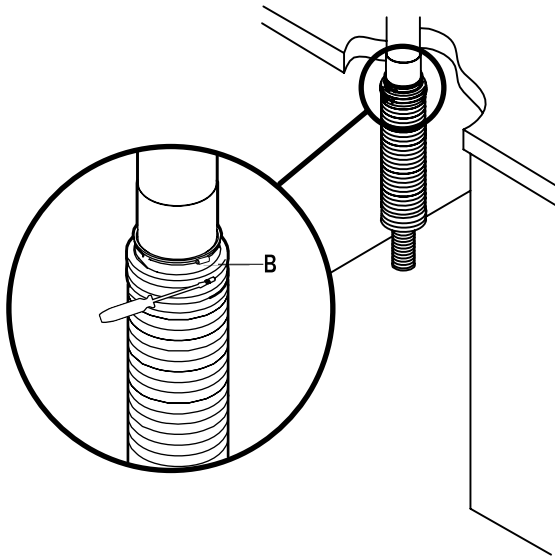


14 Install flex sleeve, cut if necessary. Remove flex sleeve if cutting is required.

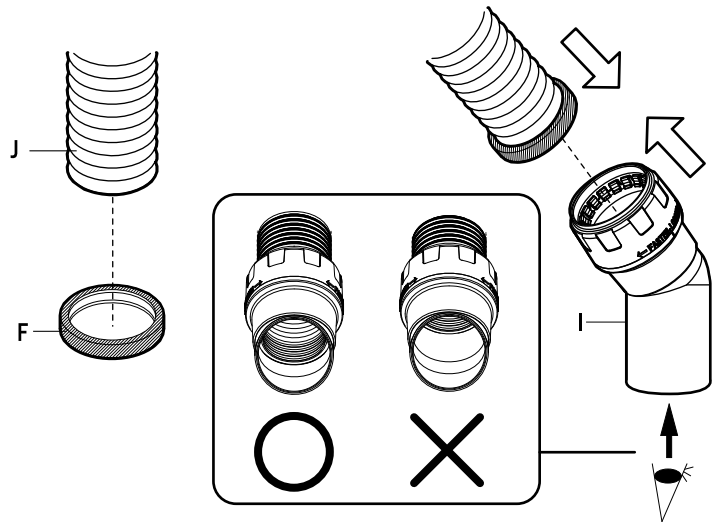


INSTALLATION (CONTINUED)

- 15** Tighten base junction support to secure the flex sleeve.

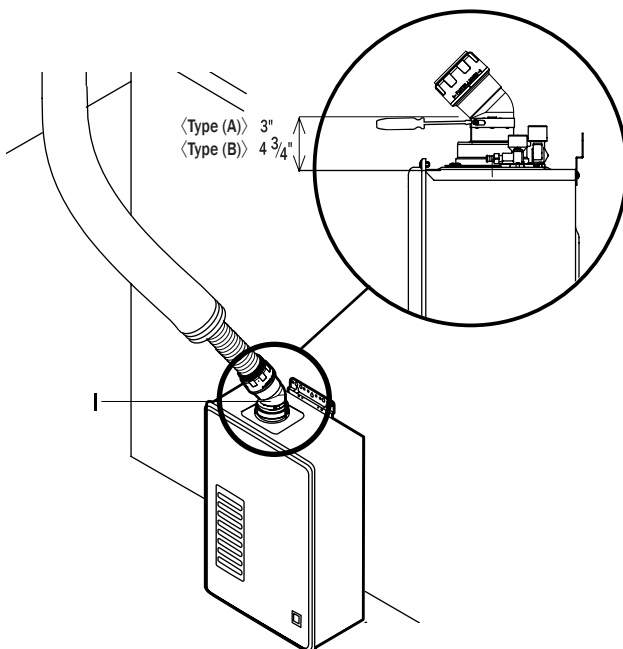


- 16** Remove the rigid 45 elbow set from the top of the Heater and insert the flex pipe 2" (with the O-ring) into rigid 45 elbow set.

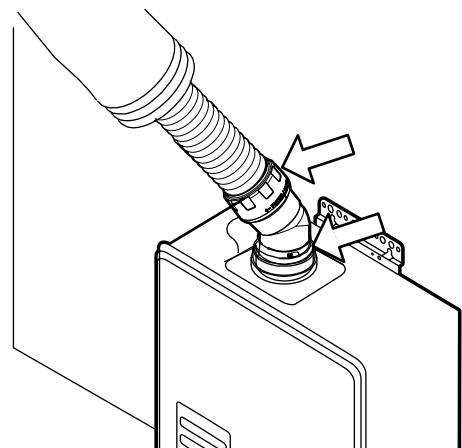


! Make sure the flex pipe 2" is fully secure by checking the bottom (reverse side) of the rigid 45 elbow set when you are finished.
Be sure to do

- 17** Re-connect the rigid 45 elbow set to the heater.

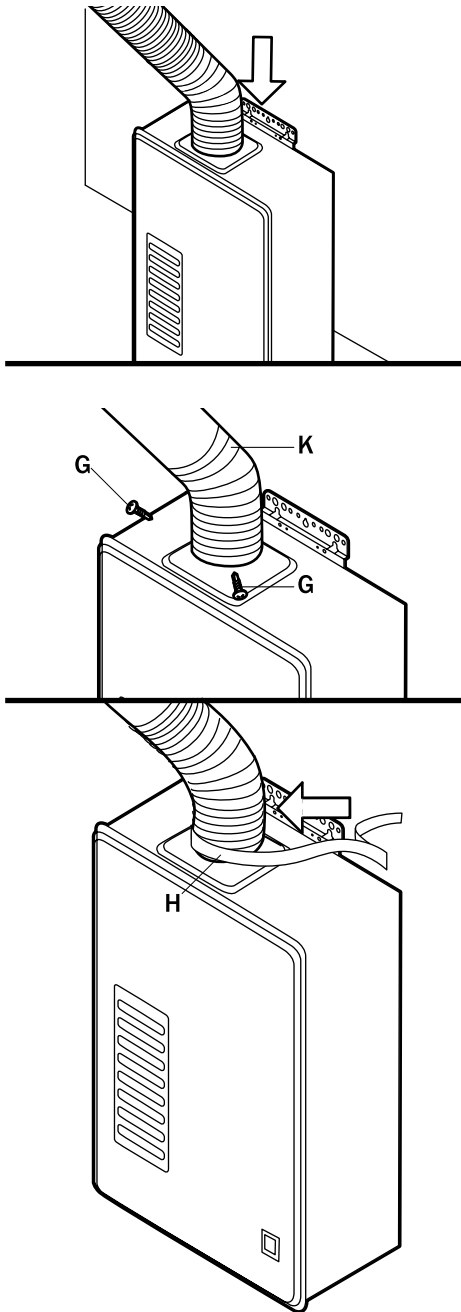


- 18** Test the system for carbon monoxide leaks.

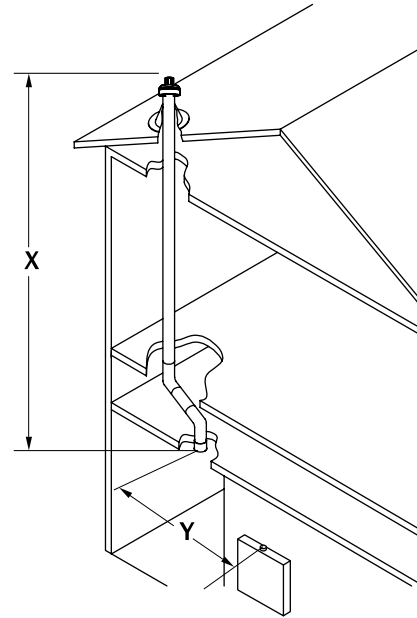


INSTALLATION (CONTINUED)

- 19** Extend the flex sleeve to the top of the heater. Secure with fastening screws and aluminum tape.



- 20** Calculate total vent length and adjust dip switch on the heater if required. Refer to unit's Installation Manual.



Be sure to do

Adjust dip switch on the heater appropriately, for proper heater operation

