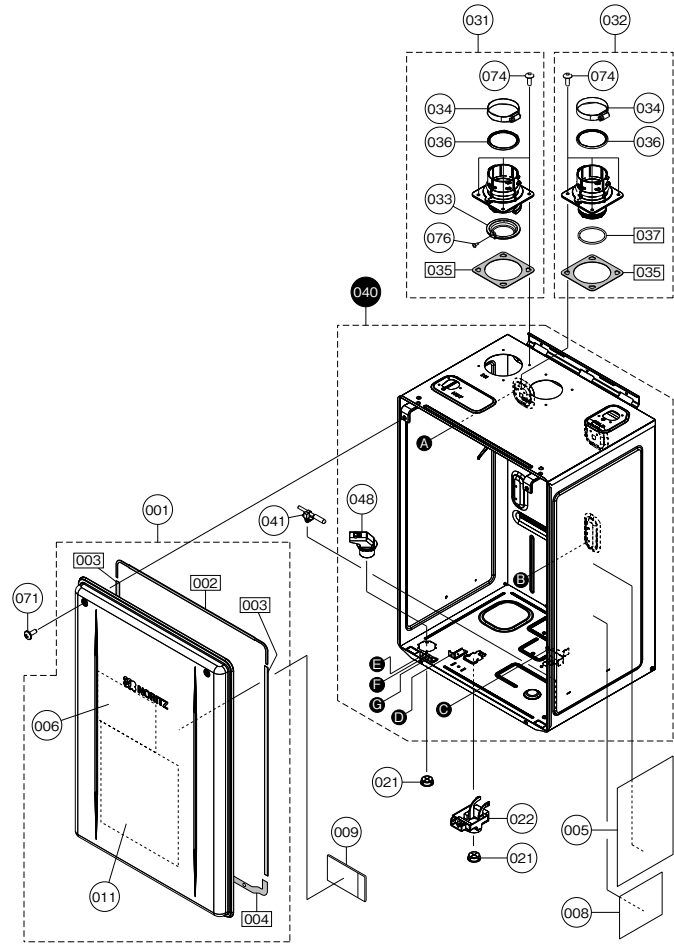


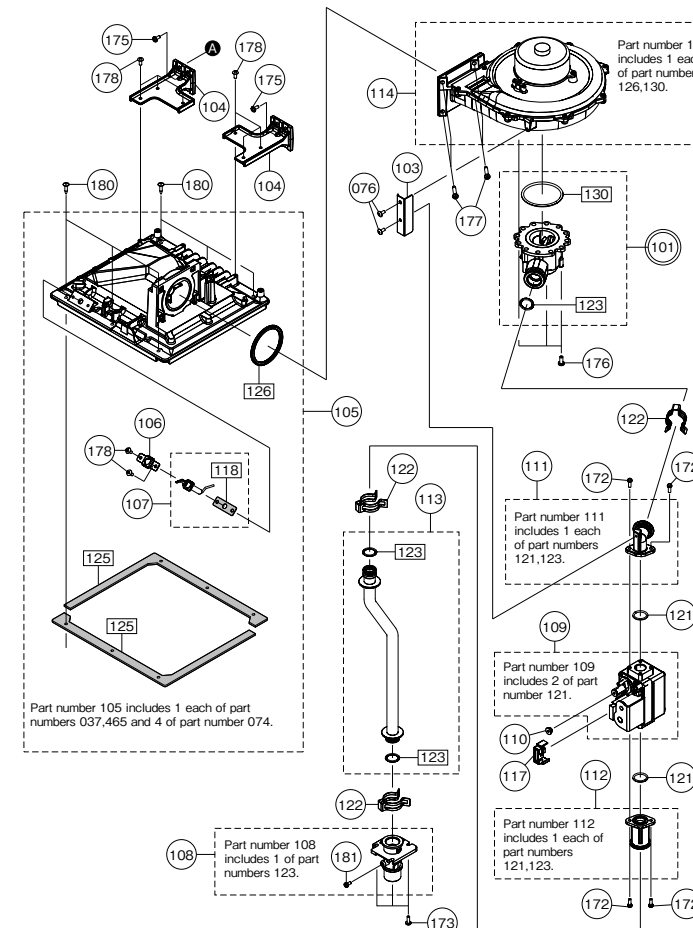
External outfitting EZ111DV(GQ-C3260WX-FF US)  
EZ98DV(GQ-C2860WX-FF US)



External outfitting EZ111DV(GQ-C3260WX-FF US)  
EZ98DV(GQ-C2860WX-FF US)

Part Nos	Part Names	Order Nos.	Q'ty/unit
001	Front Cover - GQ-C3260WX-FF US	SKJ72NW	1
002	Gasket - Front Cover Top	FABL011	1
003	Gasket - Front Cover Sides	CVAL004	2
004	Gasket - Front Cover Top and Bottom	AAPL015	1
005	Label - Outside Front Cover Caution Label	ELVK003	1
006	Label - Inside Front Cover Caution Label	ELVK006	1
008	Label - Name Plate DV/DD	FABK010	1
009	Parts List/Technical sheet	FDK051	1
011	Wiring Diagram	FDBK002	1
021	Wire Grommet - Rubber	CXPA026	2
022	External Remote Terminal Block	EBTA017	1
031	Intake Flue w/ O-Ring and Gasket (SET)	SKJ71W1	1
032	Exhaust Flue w/ O-Ring and Gasket (SET)	SKJ71W2	1
033	Filter - Intake Air	FABF101	1
034	Clamp - Exhaust Pipe	FABF108	2
035	Gasket - Exhaust Flue	FABL101	2
036	O-Ring - Exhaust Pipe	FABL102	2
037	O-Ring - Exhaust Flue	FABL103	1
040	Case - GQ-C3260WX-FF US	FDA1151	1
041	Thermistor - Air	EZMH101	1
048	Wiring Through Way	EGLA026	1
071	Screw - Front Cover with washer M4X12 S410		
074	Screw - Pre-Coated Machined M4X12 S410		
076	Screw - Remote Terminal M4X10 S430		

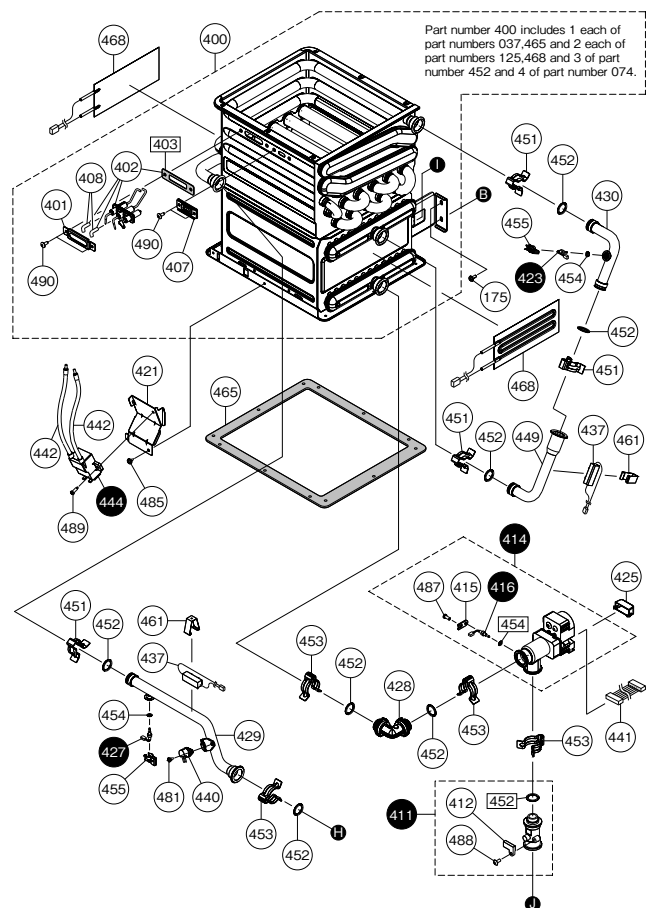
Combustion unit and gas route EZ111DV(GQ-C3260WX-FF US)  
EZ98DV(GQ-C2860WX-FF US)



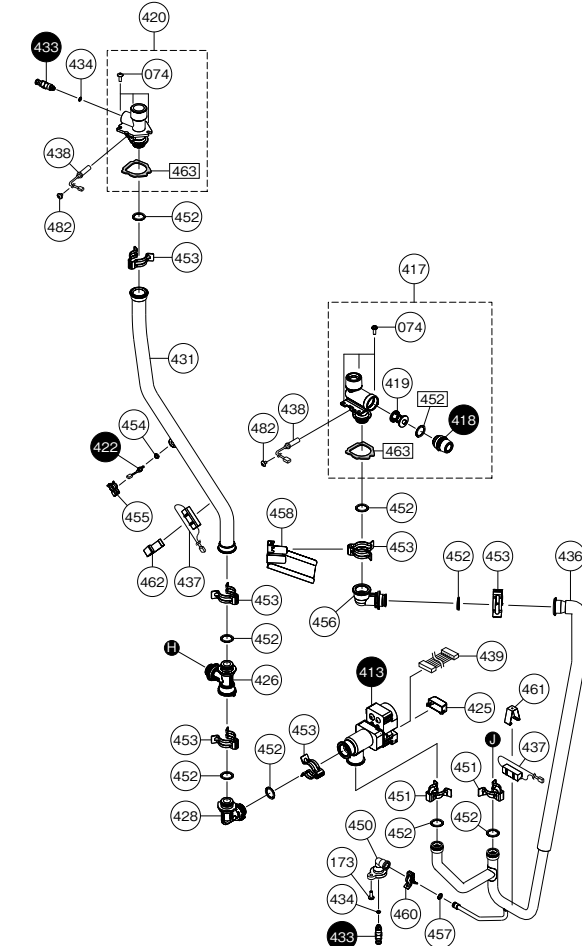
Combustion unit and gas route EZ111DV(GQ-C3260WX-FF US)  
EZ98DV(GQ-C2860WX-FF US)

Part Nos	Part Names	Order Nos.	Q'ty/unit
101	Venturi 199kbt/h - LP (SET)	SKJ72N2	1<LP>
103	Venturi 199kbt/h - NG (SET)	SKJ72N3	1<NG>
104	Mounting Plate - Gas Valve	FDAA011	1
105	Mounting Plate - Chamber	FABCO31	2
106	Burner Chamber (SET)	SKJ72N4	1
107	Mounting Plate - Flame Lifting Detection	FDAC014	1
108	Flame Lifting Detection w/ Gasket	SKJ72D0	1
109	Inlet Gas Connection w/ Screw (SET)	SKJ71UX	1
110	Gas Valve (SET)	SKJ71W8	1
111	Cover - Offset Adjustment	FABE011	1
112	Gas Valve Outlet Connector (SET)	SKJ72MR	1
113	Gas Valve Inlet Connector (SET)	SKJ72D0	1
114	Gas Pipe (SET)	SKJ72MS	1
117	Fan Motor w/ Housing	SKJ72N5	1
118	Cover - Gas Valve Connector	FABJ032	1
119	Gasket - Flame Lifting Detection	FDAL020	1
121	O-Ring - P20	2192004	2
122	"C" Clamp - 16B	6340407	3
123	O-Ring - P18	2110903	3
125	Gasket - Burner	FDAL002	2
126	Gasket - Chamber Inlet	FDAL004	1
130	O-Ring - Venturi φ60	FABL017	1
172	Screw - Long Mounting Machine with Spring Washer M4X12 S430		
173	Screw - Long Machine M4X12 S410		
175	Screw - Medium Machine 4X10 S410		
176	Screw - Mounting Machine M5X12 S430		
177	Screw - Long Mounting Machine M5X25 S430 Scoat		
178	Screw - Medium Machine M4X10 S410 for Aluminum		
180	Screw - Truss Head Self Drilling Tapping M4X18 S410		
181	Screw - Inlet and Manifold Gas M4X8		

Hot-water feed route 1 EZ111DV(GQ-C3260WX-FF US)  
EZ98DV(GQ-C2860WX-FF US)



Hot-water feed route 2 EZ111DV(GQ-C3260WX-FF US)  
EZ98DV(GQ-C2860WX-FF US)



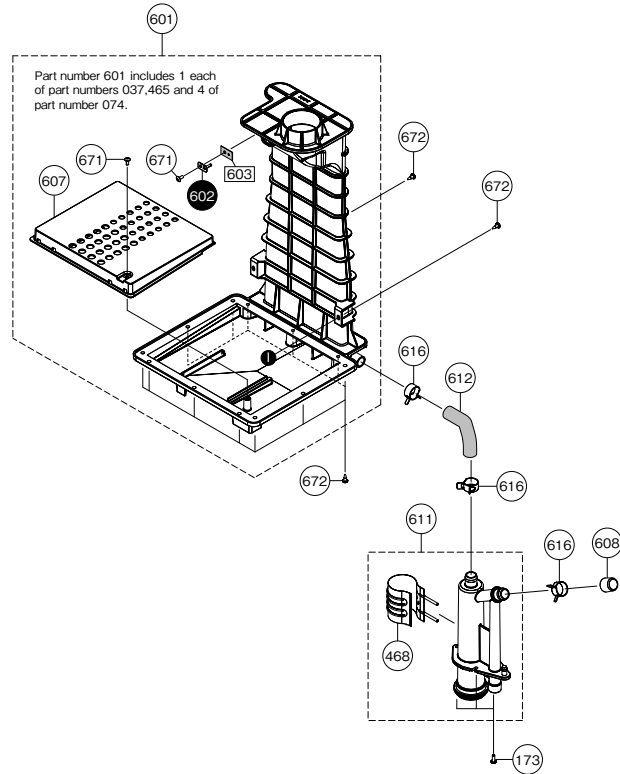
Hot-water feed route EZ111DV(GQ-C3260WX-FF US)  
EZ98DV(GQ-C2860WX-FF US)

Part Nos	Part Names	Order Nos.	Q'ty/unit
400	Heat Exchanger Kit Primary SS (SET)	SKJ72M4	1
401	Mounting Plate - Ignition Plug	FDAB065	1
402	Ignition Plug w/ Gasket	SKJ72M7	1
403	Gasket - Ignition Plug (HEX)	FDAL009	1
407	Burner Window (SET)	FDAB062	1
408	Plug Cover	FABL019	2
411	Water Flow Sensor (SET)	EDM019	1
412	Magnetic Sensor	DAND019	1
413	Water Servo - Bypass (SET)	ETFD050	1
414	Water Servo -Main (SET)	FMBD011	1
415	Thermistor Holding Plate	ALSD088	1
416	Thermistor - Hot Water	EZMD002	1
417	Inlet Water Connection (SET)	SKJ72M4	1
418	Water Filter Cap	DTJD006	1
419	Water Filter	EGBD032	1
420	Outlet Water Connection (SET)	SKJ72M4	1
421	Mounting Plate - Igniter	FDAA015	1
422	Thermistor - Pink	EZMD003	1
423	Thermistor - Blue	EZMD001	1
425	Wire Cover - Servo	EBTD023	2
426	T-Elbow	FDAD017	1
427	Thermistor - White	EZMD004	1
428	L-Elbow	FDAD016	2
429	Pipe - Primary SS HEX to T-Elbow	FDAD005	1
430	Pipe - Secondary SS HEX to Primary SS HEX	FDAD023	1
431	Pipe - T-Elbow to Outlet Water Connection	FDAD003	1
433	Drain Cock	CRUD003	2
434	O-Ring - High Temp P3	SAD6633	2
436	Pipe - Inlet Water Connection to T-Elbow SET	FDAD031	1
437	Freeze Prevention Heater - Rectangle	ERDH002	4
438	Freeze Prevention Heater - Round Short	ERDH003	2
439	Wiring Harness - Bypass Water Servo	ETFJ033	1
440	High Limit Switch - 194	FABH001	1
441	Wiring Harness - Main Water Servo	JBGJ024	1
442	High Voltage Igniter Wire L175	ALSJ078	2
444	Igniter	FABJ100	1
449	Pipe - Secondary SS HEX to Primary SS HEX	FDAD025	1
450	Drain Connection - 1/4" tube	CBND018	1
451	"C" Clamp - Water Pipe 16-25	SAD6593	6
452	O-Ring - High Temp P16	3223302	17
453	"C" Clamp - Water Pipe 16A	RS40300	10
454	O-Ring - Thermistor High Temp P4	1323709	4
455	"C" Clamp - Thermistor	CRUD055	3
456	Outlet Water Connection Elbow	JBGD001	1
457	O-Ring - High Temp P6	3254408	1
458	Cover - Inlet Water Connection	FDAA014	1
460	"C" Clamp - 1/4" tube 6-13	SAD6594	1
461	Clamp - Freeze Prevention	AMML001	3
462	Clamp - Freeze Prevention	ELVL011	1
463	Gasket - Connection	FDAL008	2
465	Gasket - Exhaust Duct	FDAL003	1
468	Freeze Prevention Heater - Condensate Container	ETHH004	3

Hot-water feed route EZ111DV(GQ-C3260WX-FF US)  
EZ98DV(GQ-C2860WX-FF US)

Part Nos	Part Names	Order Nos.	Q'ty/unit
481	Screw - Small Tapping w/o collar M4XB S410		
482	Screw - Short Machined M4XB S410		
485	Screw - Short Tapping M4XB S410		
487	Screw - Round Head Medium Tapping M4X10 S410		
488	Screw - Round Head Medium Tapping M4X10 S305		
489	Screw - Long Mounting Machine M4X12 S430		
490	Screw - Truss Head Self Drilling Tapping 4X12 PSS50		

Condensate feed route EZ111DV(GQ-C3260WX-FF US)  
EZ98DV(GQ-C2860WX-FF US)

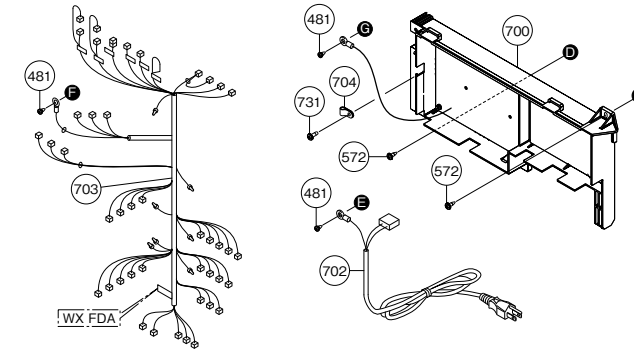


Condensate feed route EZ111DV(GQ-C3260WX-FF US)  
EZ98DV(GQ-C2860WX-FF US)

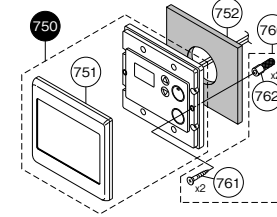
Part Nos.	Part Names	Order Nos.	Qty/unit
601	Exhaust Duct (SET)	SKJ72N7	1
602	Thermistor - Exhaust	ETHH002	1
603	Gasket - Exhaust Thermistor	ETHL004	1
607	Condensate Drainage Plate	FDAF045	1
608	Drain Cap	FABF056	1
611	Condensate Container (SET)	SKJ71WF	1
612	Drain Hose - SS HEX	FDAF051	1
616	Clamp - Condensate Hose NO.45	SAD6536	3
671	Screw - Truss Head Medium Machine 4X10 S410		
672	Screw - Long Tapping M4X12 S410		

Electronic control unit and Remote controller  
EZ111DV(GQ-C3260WX-FF US)·EZ98DV(GQ-C2860WX-FF US)

Electronic control unit

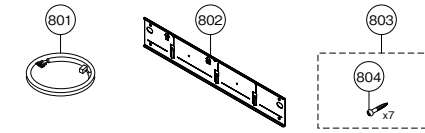


Remote controller  
RC-7651M-A US



Attached set  
EZ111DV(GQ-C3260WX-FF US)·EZ98DV(GQ-C2860WX-FF US)

Attached set



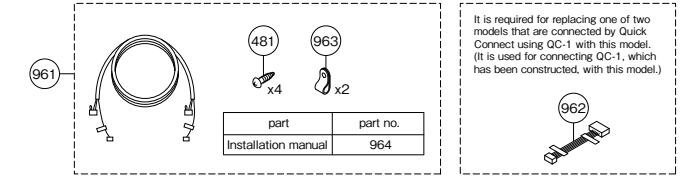
<Special part>

Special part	Special part no.
Owner's guide	888
Installation manual	889

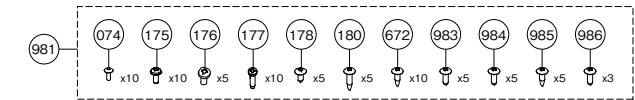
※ To request a French version of the Owner's guide or Installation manual, contact Noritz America.

Optional

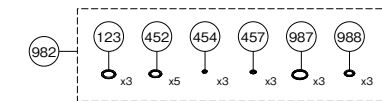
Quick-Connect Cable QC-2



Screw Kit for GQ-C3260 Series



O-ring Kit



Electronic control unit and Remote controller and Attached set  
EZ111DV(GQ-C3260WX-FF US)·EZ98DV(GQ-C2860WX-FF US)

Part Nos.	Part Names	Order Nos.	Qty/unit
700	Circuit Board	SKJ72N3	1
702	Power Supply Cord	ERUJ001	1
703	Wiring Harness - GQ-C3260WX-FF US	SKJ72N6	1
704	Wire Clamp - Nylon #4	7287909	1
731	Screw - Remote Terminal Cover M4X12 S410		
750	Remote Controller - RC-7651M-A US (SET)	QXUJ025	1
751	Cover - Remote	QMEAO03	1
752	Mounting Packing - Remote	QHUA115	1
760	Screw Package - Remote(SET)	QQUA100	1
761	Screw - Round Head Wood M4.1X25 S305	6337601	
762	Dry Wall AnchorsX25	6339000	
800	Box - GQ-C3260WX-FF US	SKJ72MU	1
801	Remote Cord - 6ft	ETHM001	1
802	Wall Mounting Plate	FDAA103	1
803	Wood Screw Set7	SAD2028	1
804	Screw - Round Head Wood 4.8X38 S305		
888	Owner's Guide - GQ-C3260WX-FF US	SBB8163	1
889	Installation Manuale - GQ-C3260WX-FF US	SBB8164	1
961	Quick Connect Cord - QC-2	0706377	1
962	Adaptor - QC-1 to QC-2	SAG4672	1
963	Wire Clamp - Nylon #3	7223901	2
964	Installation Manual - QC-2	SAQ8992	1
981	Screw Kit for GQ-C3260 Series	SKJ72N0	1
982	O-ring Kit	SKJ72N1	1
983	Screw - Medium Tapping M4X10 S410		
984	Screw - Long Mounting Machine M4X12 S430		
985	Screw - Medium Machine M4X10 PS550		
986	Screw - Short Machine M3X5 S410 for Aluminum		
987	O-Ring - High Temp P22	7573308	3
988	O-Ring - High Temp P12.5	3359808	3