



# CONDENSING GAS COMBI BOILER



## Part List

### Models

CB199-DV / CB180-DV

- Natural Gas(NG) / Liquid Propane Gas (LP)

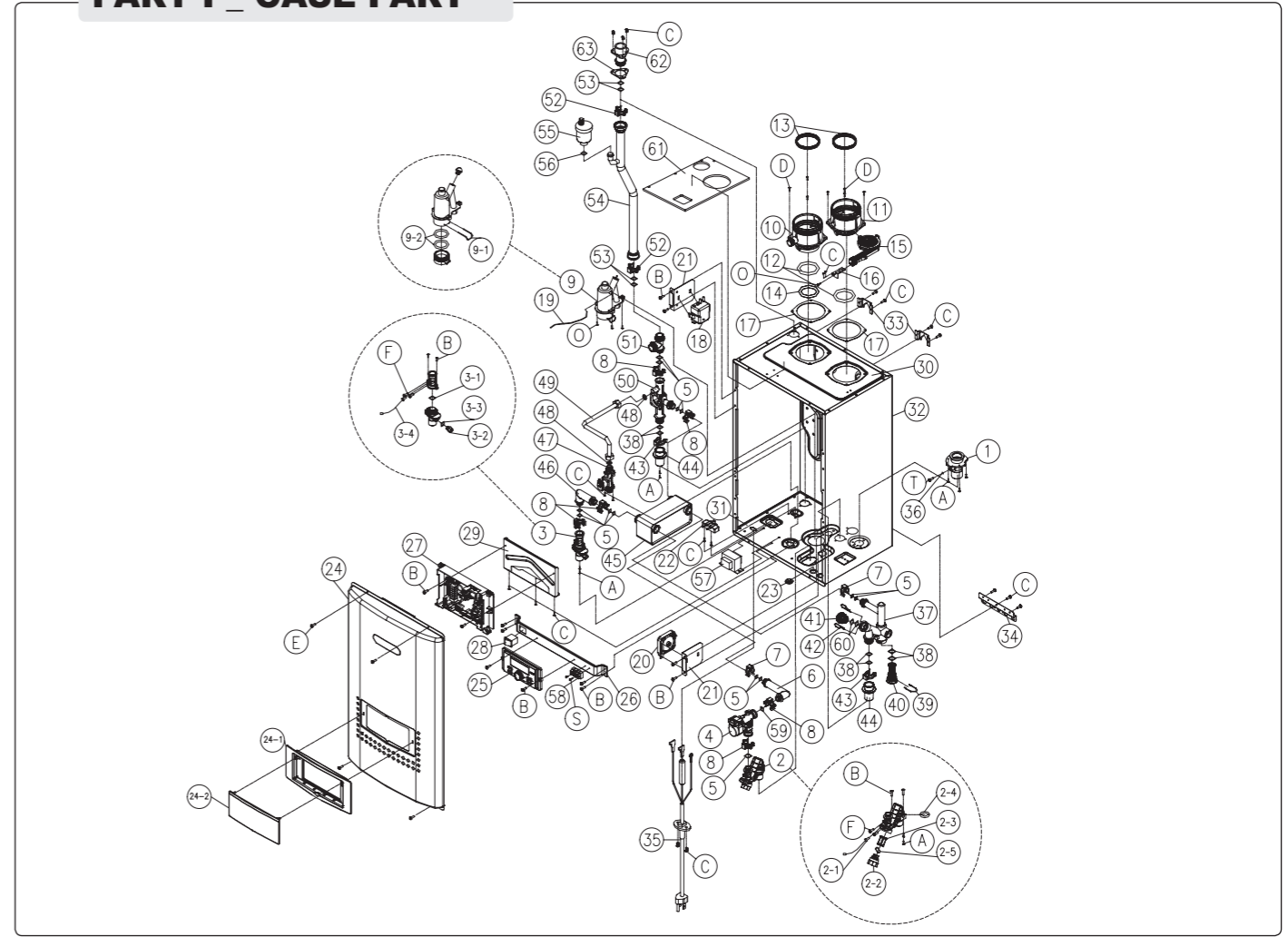


Low NOx Approved  
by SCAQMD  
14ng/J or 20ppm  
(Natural Gas Only)



## Part List

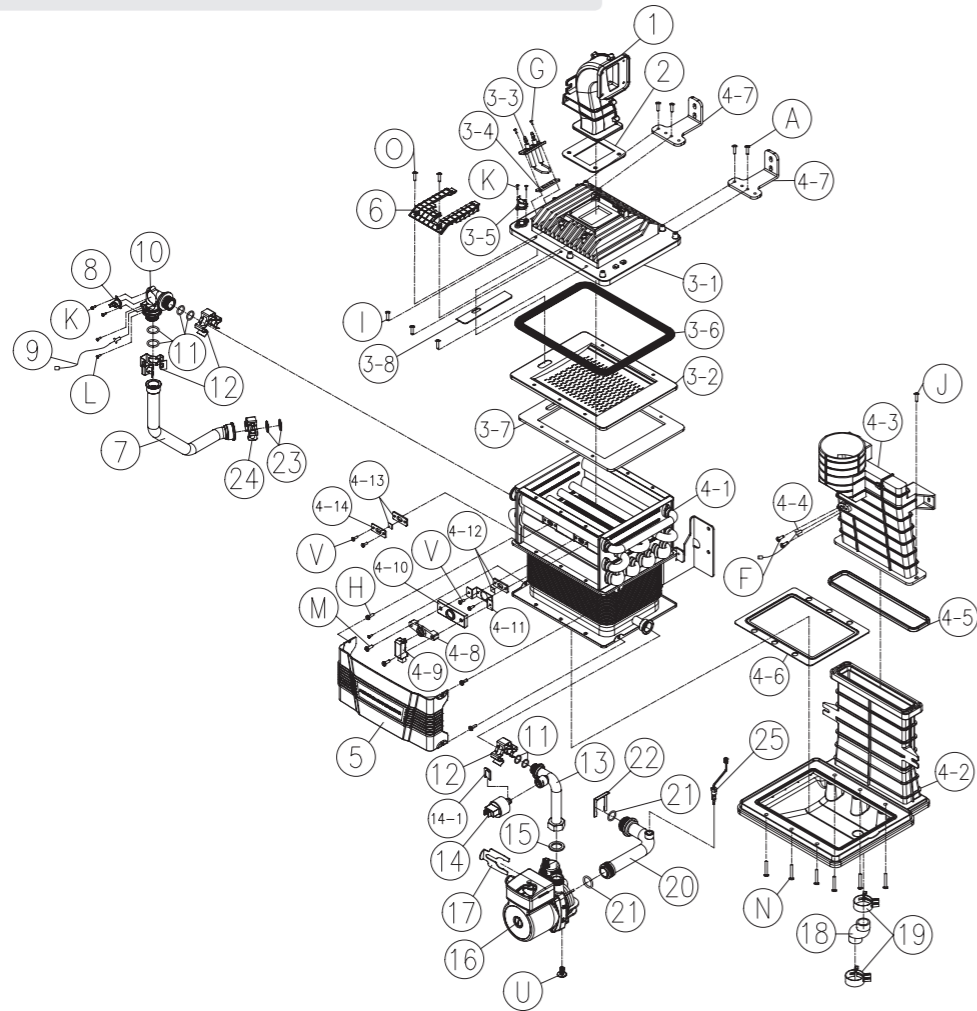
### PART I \_ CASE PART



Item	Description	Part Number	Qty	Item	Description	Part Number	Qty	Item	Description	Part Number	Qty
1	Gas Inlet Connection	NPC043	1	16	Air Intake Filter Bracket	NPA077	1	39	Filter Clip	NPA138	1
2	Water Inlet Valve Assy	NAD045	1	17	Gasket	NPL078	2	40	Heating Return Block Filter	NPD139	1
2-1	Cold Water Temperature Sensor	NPD046	1	18	Igniter	NPH079	1	41	Heating Return Block Cap	NPD141	1
2-2	Cold Water Filter Cap	NPD047	1	19	Siphon Air Pressure Hose	NPF123	1	42	Cap Clip	NPA142	2
2-3	Cold Water Filter	NPD048	1	20	Air Pressure Switch	NPF081	1	43	Clip (Φ25-Φ31)	NPA143	2
2-4	O-ring (P20)	NPD035	1	21	Bracket (Igniter, Air Pressure Switch)	NPA082	2	44	Heating Supply/Return Connection	NPD144	2
2-5	O-ring (P18)	NPD032	1	22	Water Leakage Detector	NPH083	1	45	Hot Water Plate Heat Exchanger	NPB145	1
3	Hot Water Pipe Assembly	NAD117	1	23	Wiring Through Way Packing	NPA085	2	46	Hot Water Elbow	NPD147	1
3-1	O-ring (P20)	NPD035	1	24	Front Cover Assembly	NAA124	1	47	Auto Feeder	NPD148	1
3-2	Hot Water Plug	NPD052	1	24-1	Control Panel Bracket	NPA125	1	48	Packing (10A)	NPD149	2
3-3	O-ring (P10)	NPD053	1	24-2	Control Panel Window	NPA088	1	49	Auto Feeder Pipe	NPD150	1
3-4	Hot Water Temperature Sensor	NPD119	1	25	Control Panel	NPJ126	1	50	3-Way Valve	NPD151	1
4	Flow Control Valve	NPD055	1	26	Control Panel Steel Bracket	NAP127	1	51	T-Elbow	NPD159	1
5	O-ring (P16)	NPD033	13	27	PCB (Control Board)	NPJ128	1	52	Clip (Star-Large)	NPA192	2
6	Water Inlet Elbow	NPD120	1	28	Rocker Switch	NPH092	1	53	O-ring (P22)	NPF137	4
7	Clip (Circle-Small)	NPA140	2	29	Control Board Bracket	NPA129	1	54	Relief Valve Pipe	NPD209	1
8	Clip (Star-Small)	NPA084	6	30	Case (Top)	NAD231	1	55	Air Vent	NPD158	1
9	Condensate Trap	NPF067	1	31	Case (Bottom)	NPA131	1	56	O-ring (P12)	NPC041	1
9-1	Condensate Clip	NPA068	1	32	Case	NPA132	1	57	Power Transformer (AC 24V)	NPH155	1
9-2	O-ring (P44)	NPF069	2	33	Case Bracket	NPA133	2	58	Terminal Block	NPA156	1
10	Exhaust Assembly	NPF071	1	34	Case Bracket (Bottom)	NPA134	1	59	O-ring (P15)	NPD036	1
11	Air Intake Assembly	NPF072	1	35	Power Cord	NPH160	1	60	O-ring (P20)	NPD035	2
12	O-ring (P85)	NPF073	2	36	O-ring (P4)	NPF135	1	61	Top Case Packing	NPC198	1
13	Exhaust and Intake Packing	NPL074	2	37	Heating Return Block	NPD136	1	62	Relief Valve Connection	NPD208	1
14	O-ring (P75)	NPF075	1	38	O-ring (P22A)	NPF191	6	63	Relief Valve Connection Gasket	NPD232	1
15	Air Intake Filter	NPF076	1								

# Part List

## PART II \_ HEAT EXCHANGER PART

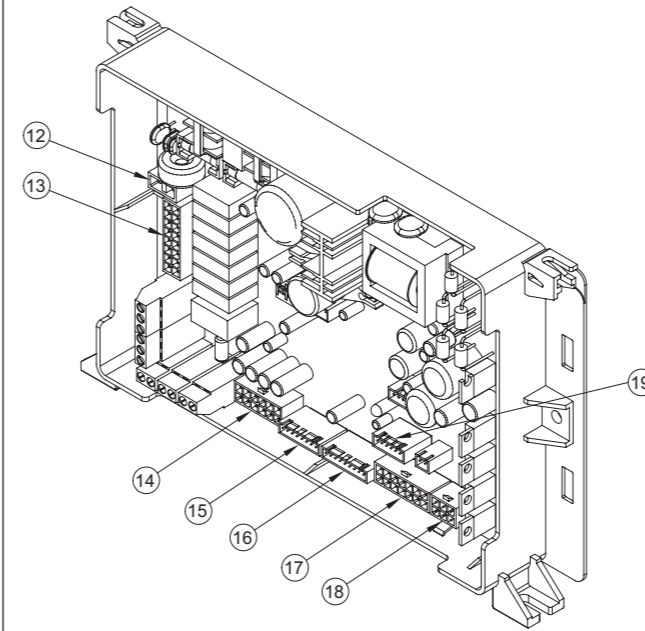


Item	Description	Part Number	Qty
1	Blower Connector	NPF005	1
2	Blower Connector Packing	NPL006	1
3	Burner Assembly	NAC007	1
3-1	Burner Head	NPC008	1
3-2	Burner Flange	NPC009	1
3-3	Ignition Rod	NPC010	1
3-4	Ignition Rod Gasket	NPA011	1
3-5	Overheat Switch (Burner)	NPH224	1
3-6	Burner Head Packing	NPL013	1
3-7	Burner Head Gasket 1	NPL014	1
3-8	Burner Head Gasket 2	NPL015	1
4	Heat Exchanger Assy	NAB161	1
4-1	Heat Exchanger Semi Assembly	NPB162	1
4-2	Exhaust Pipe Assembly (Lower)	NPF018	1
4-3	Exhaust Pipe Assembly (Upper)	NPF019	1
4-4	Exhaust Temperature Sensor	NPH118	1
4-5	Exhaust Duct Packing	NPL024	1
4-6	Secondary Heat Exchanger Packing	NPL025	1
4-7	Heat Exchanger Brackets (Left & Right)	NPA026	2
4-8	Flame Detector Sensor Bracket	NPA027	1
4-9	Flame Detector Sensor	NPH028	1
4-10	Flame Detector Metal Plate	NPA207	1
4-11	Flame Observation Bracket	NPA205	1
4-12	Flame Observation Glass & Gasket	NPA206	1

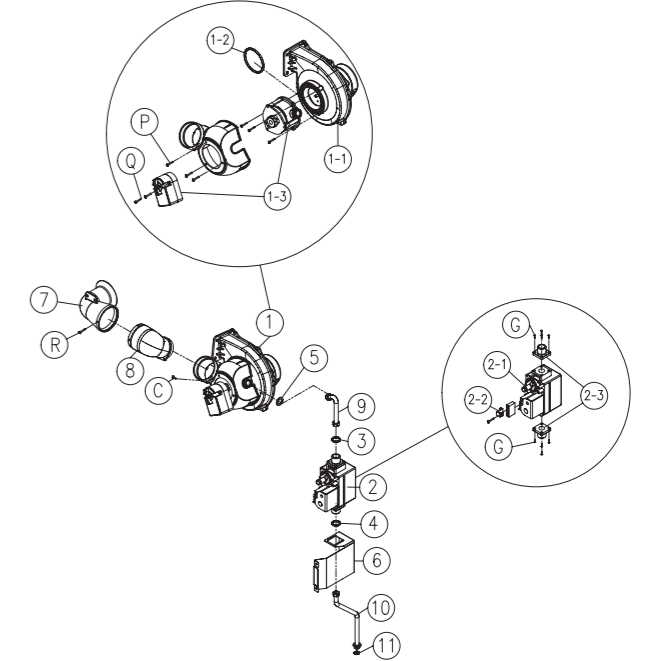
Item	Description	Part Number	Qty
4-13	Flame View Glass & Gasket	NPA225	1
4-14	Flame View Bracket	NPA226	1
5	Secondary Heat Exchanger Cover	NPA029	1
6	Burner Fixing Bracket	NPA030	1
7	Hot Water Outlet Pipe	NPD163	1
8	Overheat Sensor	NPH164	1
9	Water Supply Temperature Sensor	NPD165	1
10	Hot Water Outlet Elbow	NPD166	1
11	O-ring (P16)	NPD033	6
12	Clip (Star-Small)	NPA084	3
13	Water Inlet Pipe	NPD169	1
14	Pressure Sensor	NPD170	1
14-1	Pressure Sensor Clip	NPA171	1
15	Packing (20A)	NPD038	1
16	Circulation Pump	NPD172	1
17	Pump Clip	NPA063	1
18	Condensate Hose	NPF173	1
19	Condensate Hose Clip	NPA066	2
20	Pump Outlet Pipe	NPD174	1
21	O-ring (P20)	NPD035	2
22	Pump Outlet Pipe Clip	NPA175	1
23	O-ring (P22)	NPF137	2
24	Clip (Star-Large)	NPA192	1
25	Water Return Temperature Sensor	NPD200	1

# Part List

## PART III \_ FAN MOTOR & WIRE HARNESS PART



※ (20) includes all wiring harnesses (line items 12-19)



Item	Description	Part Number	Qty
1	Fan & AGM Assy NG	NAF176	1
1	Fan & AGM Assy LP	NAF177	1
1-1	Fan	NPF002	1
1-2	O-ring	NPL003	1
1-3	AGM (Actuator) NG	NPF178	1
1-3	AGM (Actuator) LP	NPF179	1
2	Gas Valve Assembly	NAC180	1
2-1	Gas Valve	NPC181	1
2-2	Gas Valve Plug Bracket	NPA183	1
2-3	Gas Valve Adapter (Straight)	NPE023	2
3	15A Packing (Non-Asbestos)	NPC193	1
4	15A Packing	NPC041	1
5	Gas Mixer Packing	NPC042	1
6	Gas Valve Bracket	NPA070	1
7	Silencer Body	NPA103	1

Item	Description	Part Number	Qty
8	Silencer Elbow	NPA104	1
9	Gas Pipe (Upper)	NPC039	1
10	Gas Pipe (Lower)	NPC040	1
11	O-ring (P18)	NPD032	1
12	CN9 (Earth)	NPH194	1
13	CN18 (Power/Pump/3-Way/Gas Valve/Igniter)	NPH195	1
14	CN11 (High Limit Switch/Remote/APS)	NPH196	1
15	CN12 (AGM)	NPH107	1
16	CN14 (Flow Control Valve)	NPH110	1
17	CN7 (Flame Detection Sensor/Thermistors)	NPH111	1
18	CN4 (Fan Motor)	NPH106	1
19	CN3 (Water Flow Sensor/Pressure Sensor)	NPH197	1
20	Wire Harness Assembly	NAH184	1

### Screw

Item	Description	Length
A	Truss Head Machine Screw	M4 x 8
B	Flat Head Machine Screw	M4 x 8
C	Truss Head Tapping Screw	M4 x 10
D	Truss Head Tapping Screw	M4 x 12
E	Truss Head with PC Washer Tapping Screw	M4 x 10
F	Truss Head Tapping Screw	M4 x 6
G	Round Head Machine Screw	M4 x 12
H	Round Head with Flange Tapping Screw	M3 x 6
I	Hexagon Head with Flange Machine Screw	M5 x 16
J	Truss Head Tapping Screw	M4 x 16
K	Round Head Machine Screw	M3 x 6

Item	Description	Length
L	Truss Head Machine Screw	M4 x 6
M	Round Head Tapping Screw	M4 x 16
N	Truss Head Machine Screw	M5 x 30
O	Hexagon Head with Flange Machine Screw	M5 x 12
P	Truss Head Machine Screw	M4 x 25
Q	Round Head Tapping Screw	M4 x 30
R	Binding Head Tapping Screw	M4 x 10
S	Round Head Tapping Screw	M3 x 16
T	Round Head Machine Screw	M4 x 10
U	Round Head Machine Screw	M5 x 12
V	Round Head Tapping Screw	M4 x 8



NORITZ AMERICA CO. 11160 Grace Avenue Fountain Valley, CA 92708  
Phone : 866 - 766 - 7489