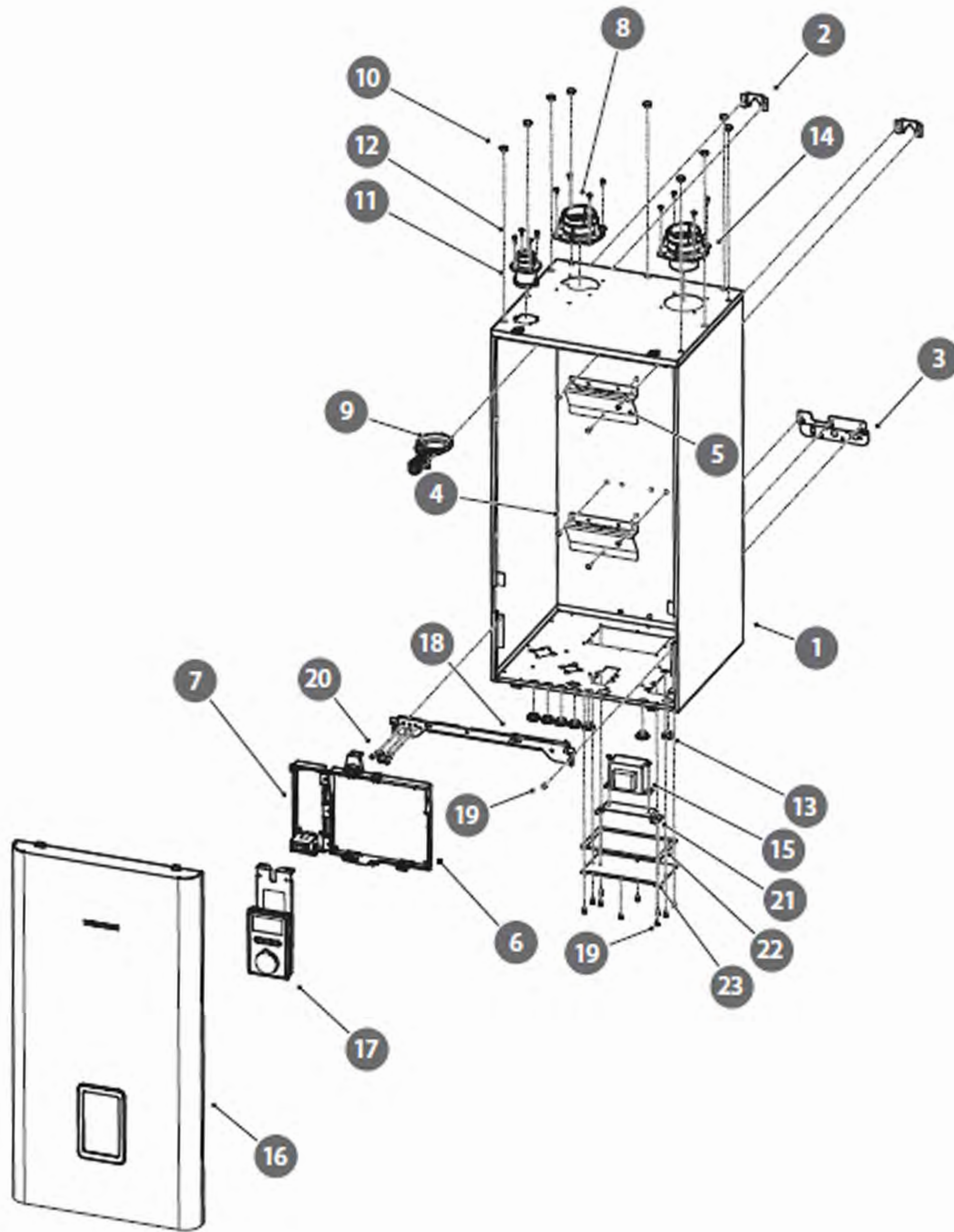


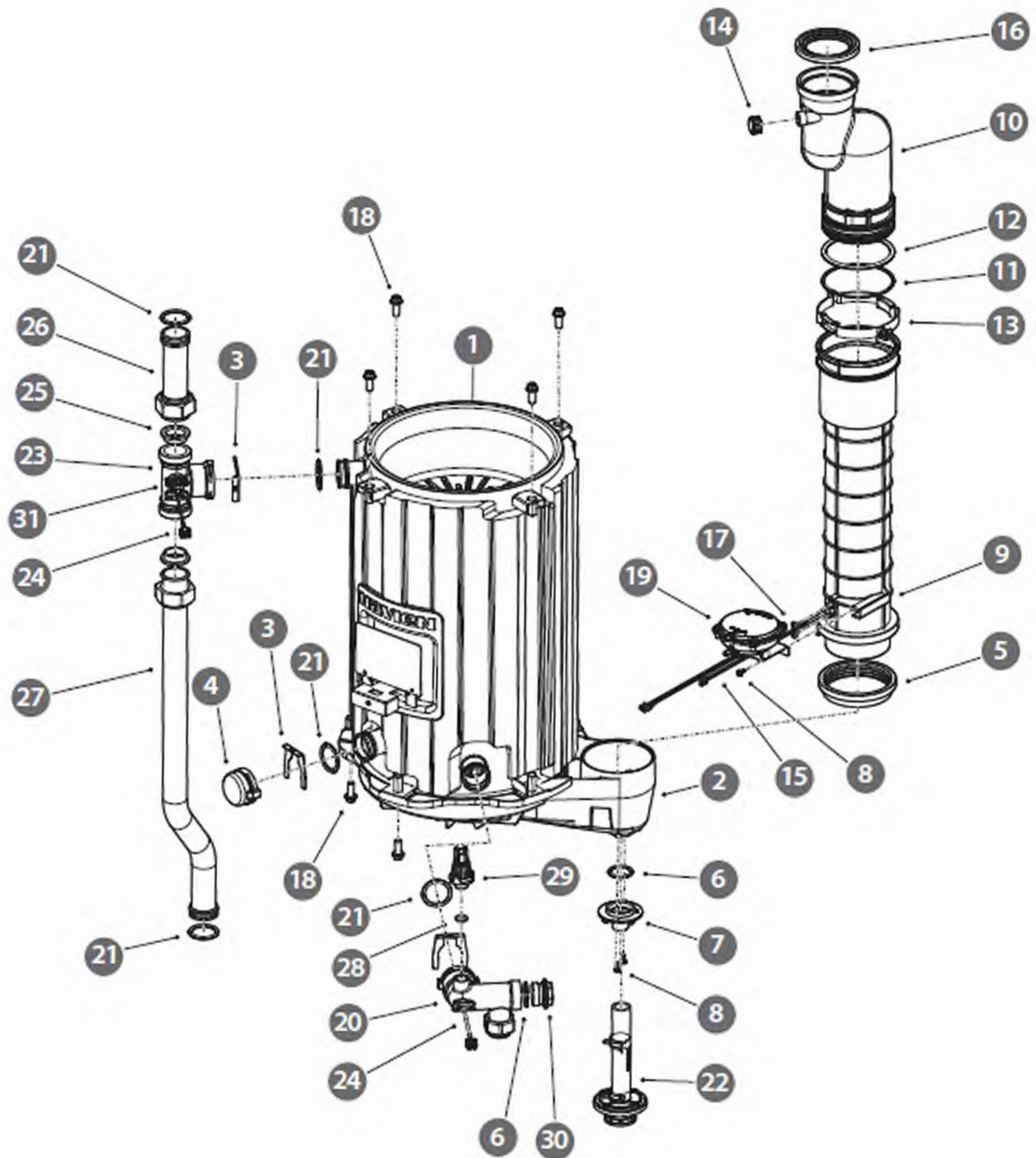
12.6 Component Assembly Diagrams and Parts Lists

12.6.1 Case Assembly



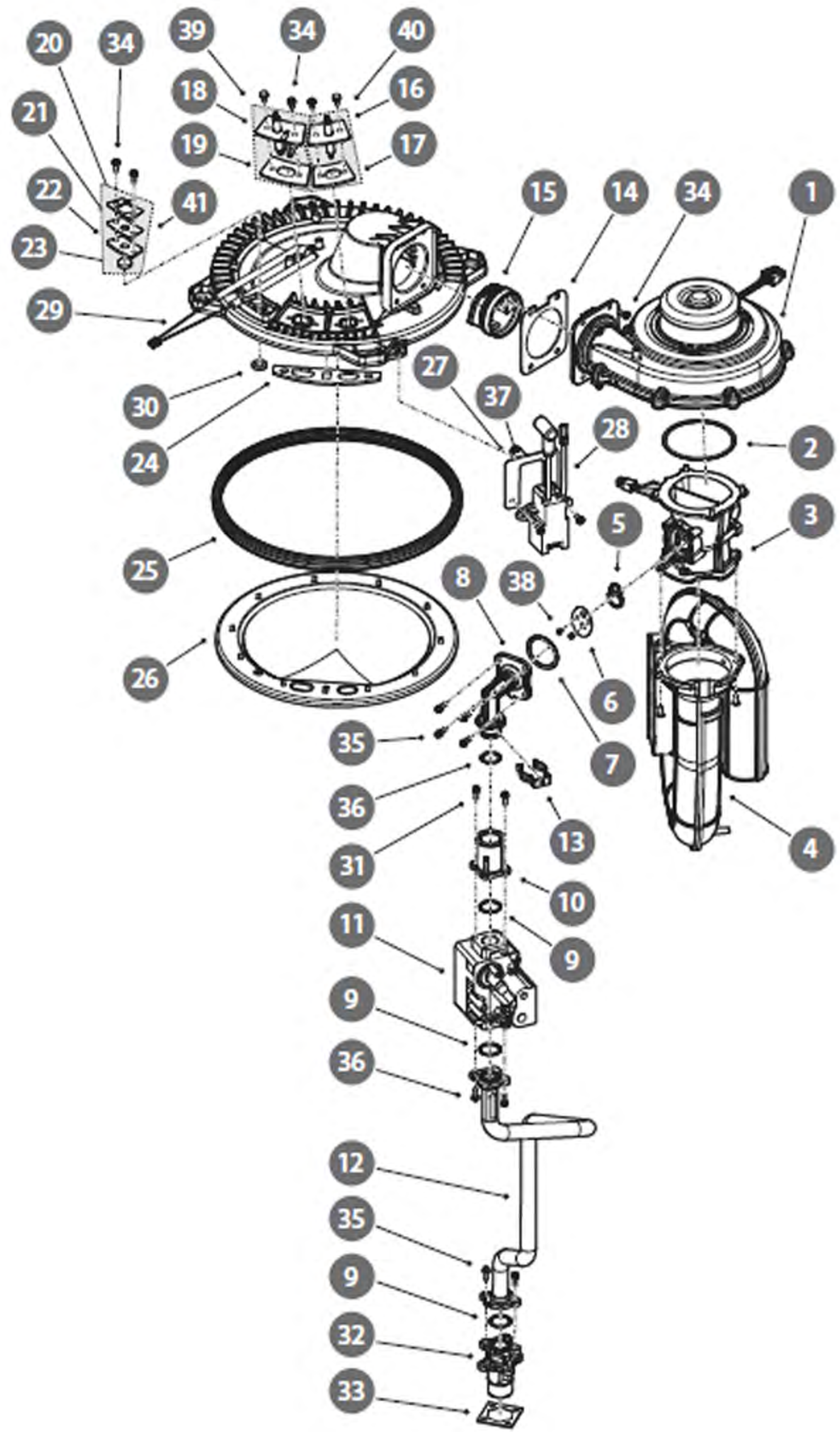
#	Description	Part #	Remark
1	Case Upper	20041092A	
	Case Middle	20044456A	
	Case Lower	20044457A	
2	Base Bracket	20007609A	
3	Base Lower Bracket	20007643B	
4	Heat Exchanger Bracket	20040243A	
5	Screw (M4X10L)	20038757A	
6	Main PCB	30021486A	
7	Terminal PCB	30021496A	
8	Intake Air Duct Assembly	30008662B	
9	Intake Air Filter	30016248B	
10	Base Packing	20041078A	
11	Air Vent Adapter	20045716A	
12	Screw (M4X14L)	20038754A	
13	Rubber Ring	20029318A	
14	Exhaust Duct Assembly	30008673A	
15	24V Power Transformer	30019688A	
16	Cover	30021870A	
17	Front Panel	30022192A	
18	PCB Lower Bracket	30022565A	
19	Screw (M4X10L)	20038753A	
20	Screw (M4X8L)	20044834A	
21	24V Power Transformer Bracket	20042385A	
22	24V Power Transformer Plate Packing	20045757A	
23	24V Power Transformer Plate	20045758A	

12.6.2 Heat Exchanger and Waterway Assembly



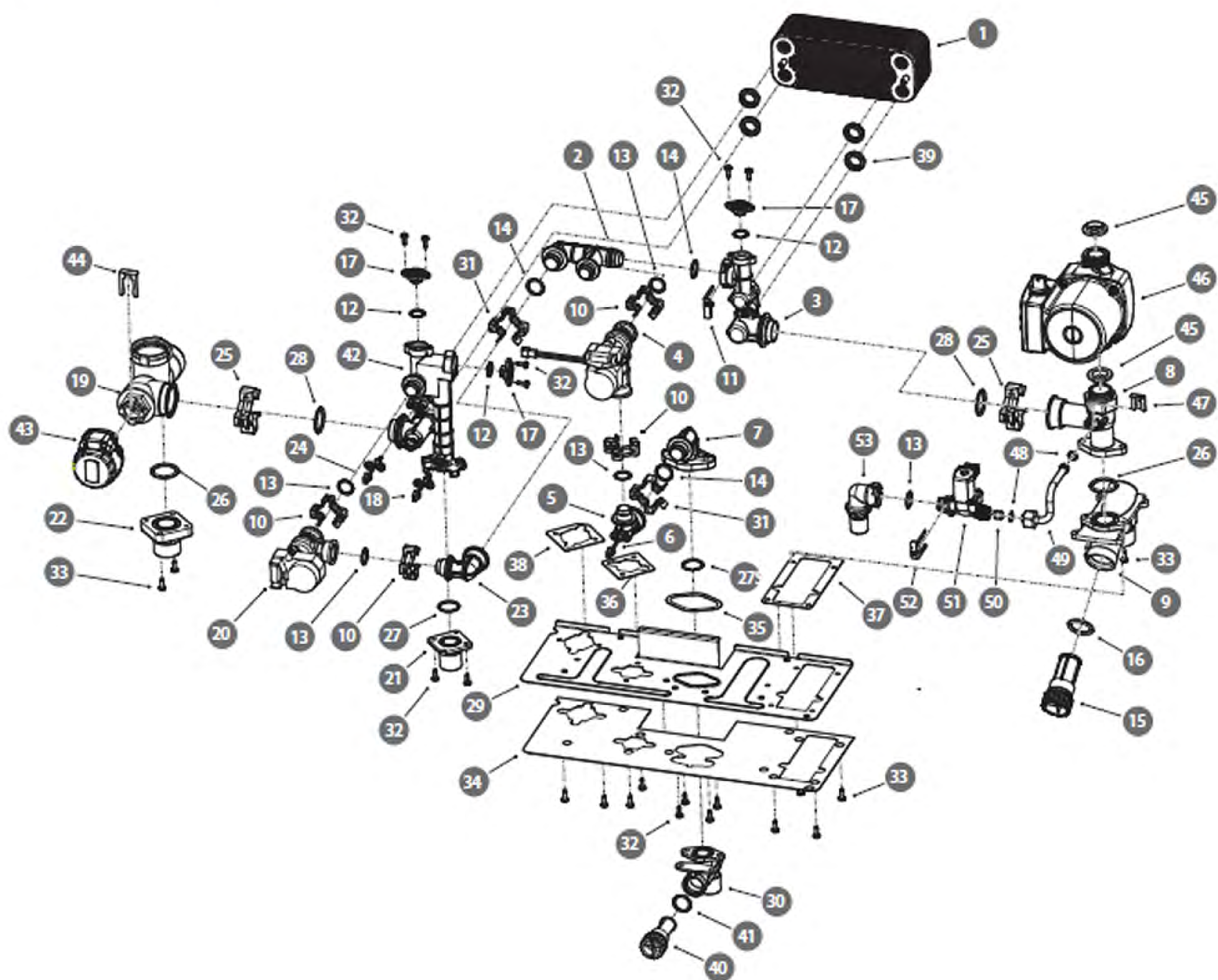
#	Description	Part #	Remark
1	Heat Exchanger Assembly	30019155A	NFC-175/200
2	Drain Pan Assembly	30021887A	
3	Fastener	20040255A	
4	Heat Exchanger Drain Cap	20042237A	
5	Drain Pan Packing	20040241A	
6	O-ring (P26)	20032409A	
7	Drain Pan Adapter	20044473A	
8	Screw (M4X10L)	20038753A	
9	Exhaust Duct (Lower)	20040242A	
10	Exhaust Duct (Upper)	20040727B	
11	Exhaust Duct Packing (G90)	20022326A	
12	Exhaust Duct Packing (P85)	20042823A	
13	Exhaust Duct Clip	20042741A	
14	Exhaust Duct Cap	20029712A	
15	Thermistor (Exhaust)	30020489A	
16	Exhaust Duct Packing (Upper)	20024690A	
17	Screw (M4X6L)	20006535A	
18	Screw (M4X20L)	20042814A	
19	Air Pressure Sensor	30015811A	
20	Heat Exchanger Inlet Adapter	30021873A	
21	O-ring (V32)	20041403A	
22	Water Hose (Drain Pan)	30021859A	
23	Heat Exchanger Outlet Adapter	30019645A	
24	Thermistor	30012907A	
25	Packing (P27)	20041401A	
26	Supply Pipe (Upper)	30019177A	
27	Supply Pipe (Lower)	30021861A	
28	LWCO (Pressure Sensor) Packing	20006873A	
29	LWCO (Pressure Sensor)	30021482A	
30	LWCO Adapter Cap	20044479A	
31	High Limit Switch	30002558A	

12.6.3 Combustion Parts Assembly



#	Description	Part #	Remark
1	Fan Assembly	30019106A	NFC-175/200
2	Venturi Packing	20018079A	
3	Dual Venturi	30017402A	NFC-175/200
4	Intake Pipe	30019120A	
5	Orifice Packing	20022660A	
6	Gas Orifice	20041039A	NFC-175/200 (NG)
		20041040A	NFC-175/200 (LP)
		20045082A	NFC-175/200 High Altitude (NG)
7	O-Ring (P34)	20019090A	
8	Gas Connector (Upper)	20042238A	
9	O-Ring (P20)	20006934A	
10	Gas Connector Adapter	20042239A	
11	Gas Valve	30011586B	
12	Gas Pipe	30021872A	
13	Fastener	20007878A	
14	Fan Packing	20042399A	
15	Fan Damper	30008825A	
16	Flame Rod	30019166A	
17	Flame Rod Packing	20045645A	
18	Igniter	30019165A	
19	Igniter Packing	20045644A	
20	Flame inspection window (Upper)	20040231A	
21	Flame inspection window (Lower)	20040232A	
22	Flame inspection window (Graphite Packing)	20043399B	
23	Flame inspection window (Glass)	20040236A	
24	Packing (Graphite)	20040233B	
25	Burner Packing	20040228A	
26	Burner	20040226A	
27	Ignition Transformer Bracket	20041154A	
28	Ignition Transformer	30019980A	
29	Burner Temperature Fuse	30020776A	
30	Packing (Graphite)	20040234A	
31	Screw (M4X12)	20006390A	
32	Gas Inlet Adapter	20042244A	
33	Packing (EVA)	20023581A	
34	Screw (M4X10)	20038758A	
35	Screw (M4X12)	20006390A	
36	O-ring (P18)	20023434A	
37	Screw (M4X6)	20038752A	
38	Screw (M3X5)	20006365A	
39	(SET) Igniter	30021275B	Includes Igniter and Packing
40	(SET) Flame Rod	30021274B	Includes Flame Rod and Packing
41	(SET) Flame Inspection Window	30021277A	Includes Upper/Lower/Glass and Packing

12.6.4 Waterway Assembly



#	Description	Part #	Remark
1	Plate Heat Exchanger	30021098A	
2	DHW Connection Adapter	30021869A	
3	Mixing Valve Adapter	20044471A	
4	Flow Adjust Valve	30008247A	
5	DHW Inlet Connection Adapter	20044470A	
6	DHW Temperature Sensor (Blue)	30022207A	
7	DHW Inlet Connection Adapter	20044477A	
8	Circulation Pump Inlet Adapter	30021865A	
9	Heating Return Adapter	20044488A	
10	Fastener (D)	20007859A	

#	Description	Part #	Remark
11	Fastener (19.7)	20007733B	
12	O-Ring (P14)	20011438A	
13	O-Ring (P16)	20017210A	
14	O-Ring (P18)	20006947A	
15	Heating Return Adapter Filter	30014682A	
16	O-Ring (P25)	20032528A	
17	Cap	20017744A	
18	DHW Temperature Sensor (Red)	30015178A	
19	3-Way Valve Body	30022588A	
20	Mixing Adjust Valve	30011532A	
21	DHW Outlet Adapter	20044487A	
22	Heating Supply Adapter	20044489A	
23	DHW Connection Elbow	20025962B	
24	DHW Temperature Sensor (Black)	30022222A	
25	Fastener (36)	20017724A	
26	O-Ring (P28)	20022142A	
27	O-Ring (P22)	20018011A	
28	O-Ring (P26)	20032409A	
29	Block Plate	20044475A	
30	DHW Inlet Adapter	20044701A	
31	Fastener (27)	20017726A	
32	Screw (M4x12)	20041461A	
33	Screw (M4x10)	20038757A	
34	Block Plate Packing	20045394A	
35	DHW Inlet Adapter Packing	20045393A	
36	DHW Outlet Adapter Packing	20045395A	
37	Heating Return Adapter Packing	20045397A	
38	Heating Supply Adapter Packing	20045396A	
39	Plate Heat Exchanger Packing	20035234B	
40	DHW Inlet Adapter Filter	30008171A	
41	O-Ring (P19)	20017211A	
42	Mixing Valve Manifold	20044482A	
43	3-Way Valve Motor	30021775A	
44	3-Way Valve Clip	20045768A	
45	Circulation Pump Packing	20044484A	
46	Circulation Pump	30021636A	
47	Fastener (8)	20034617A	
48	O-Ring (P8)	20006963A	
49	Water Supplement Pipe	30021875A	
50	Check Valve	30015223A	
51	Water Valve	30016037A	
52	Fastener (16)	20007736B	
53	Water Supply Adapter	20044486A	