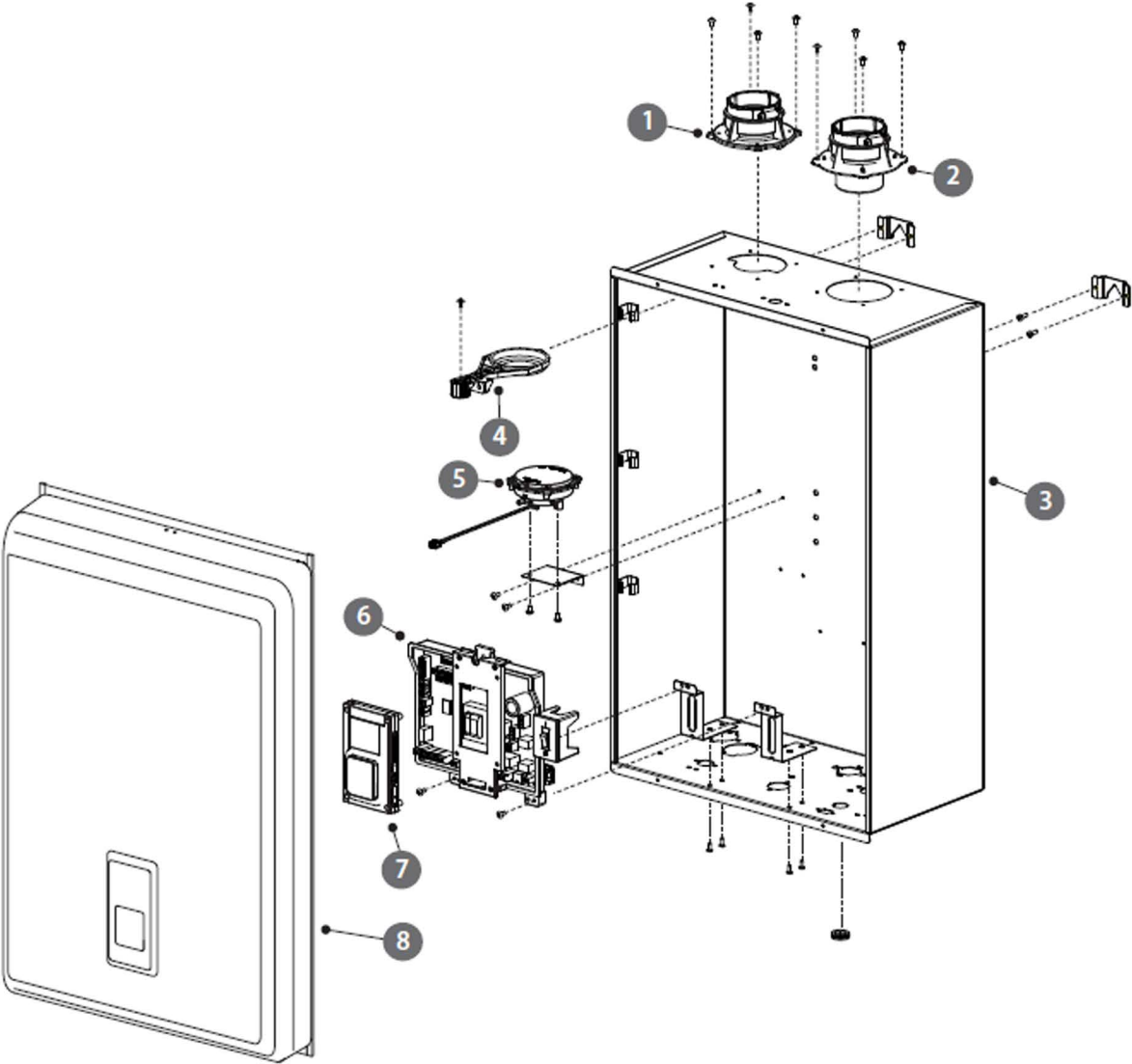


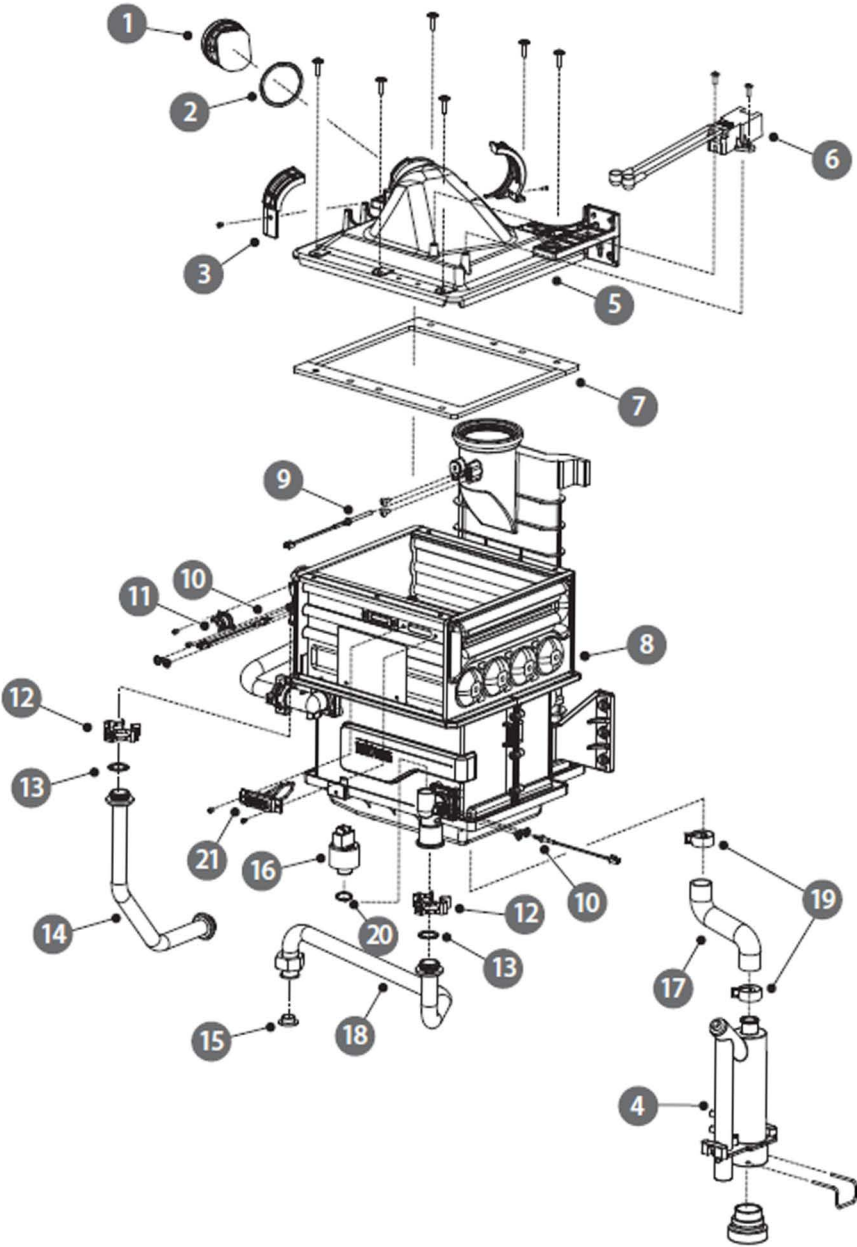
12.4 Component Assembly Diagrams and Parts Lists

12.4.1 Case Assembly

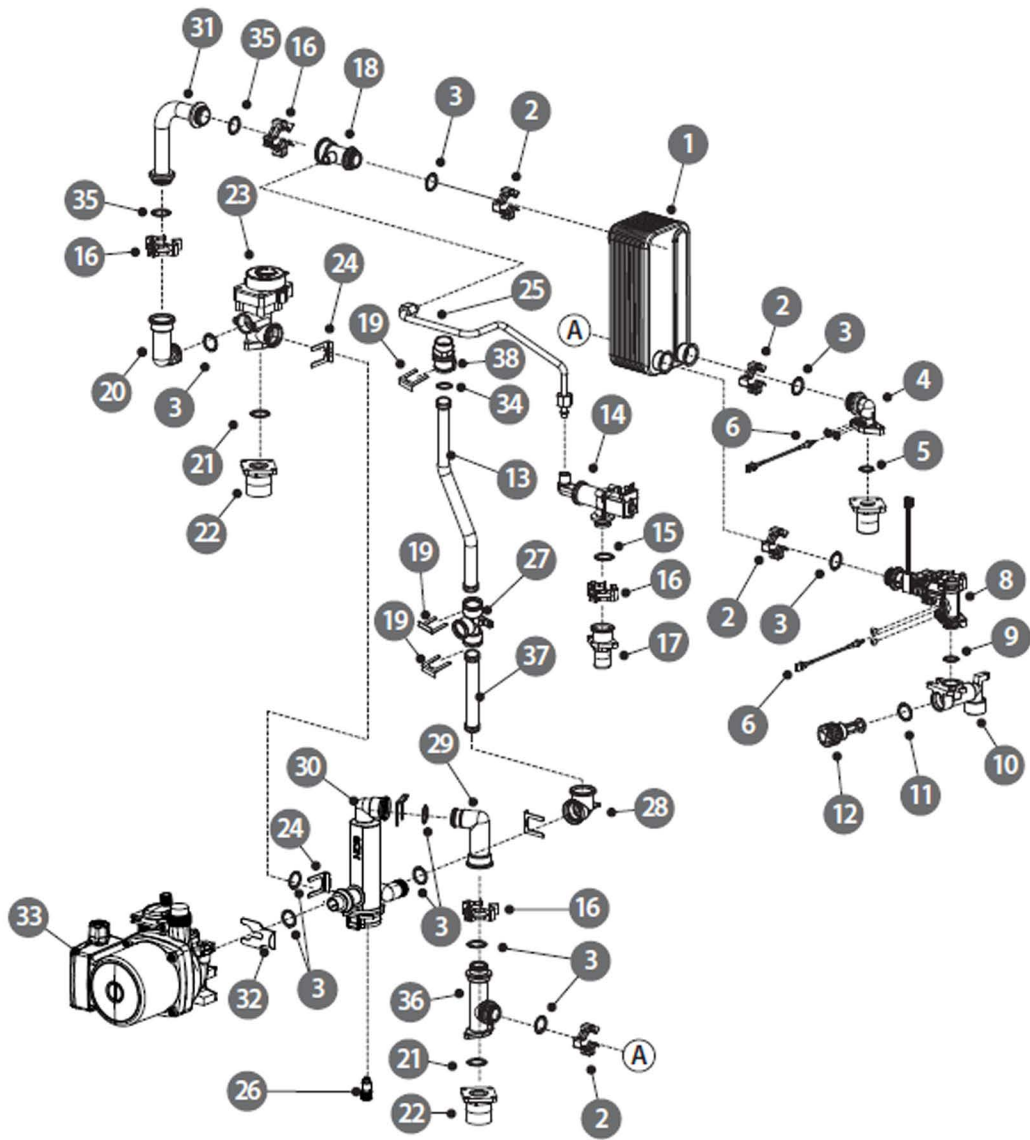


#	Description	Part #	Remark
1	Intake Air Duct Assembly	30008662B	
2	Exhaust Pipe Assembly	30008673A	
3	Case	20033278D	
4	Intake Air Filter	30016248B	
5	Air Pressure Sensor	30015811A	
6	PCB	30012262B	
7	Front Panel	30012269B	
8	Cover	30017069B	

12.4.2 Burner Assembly



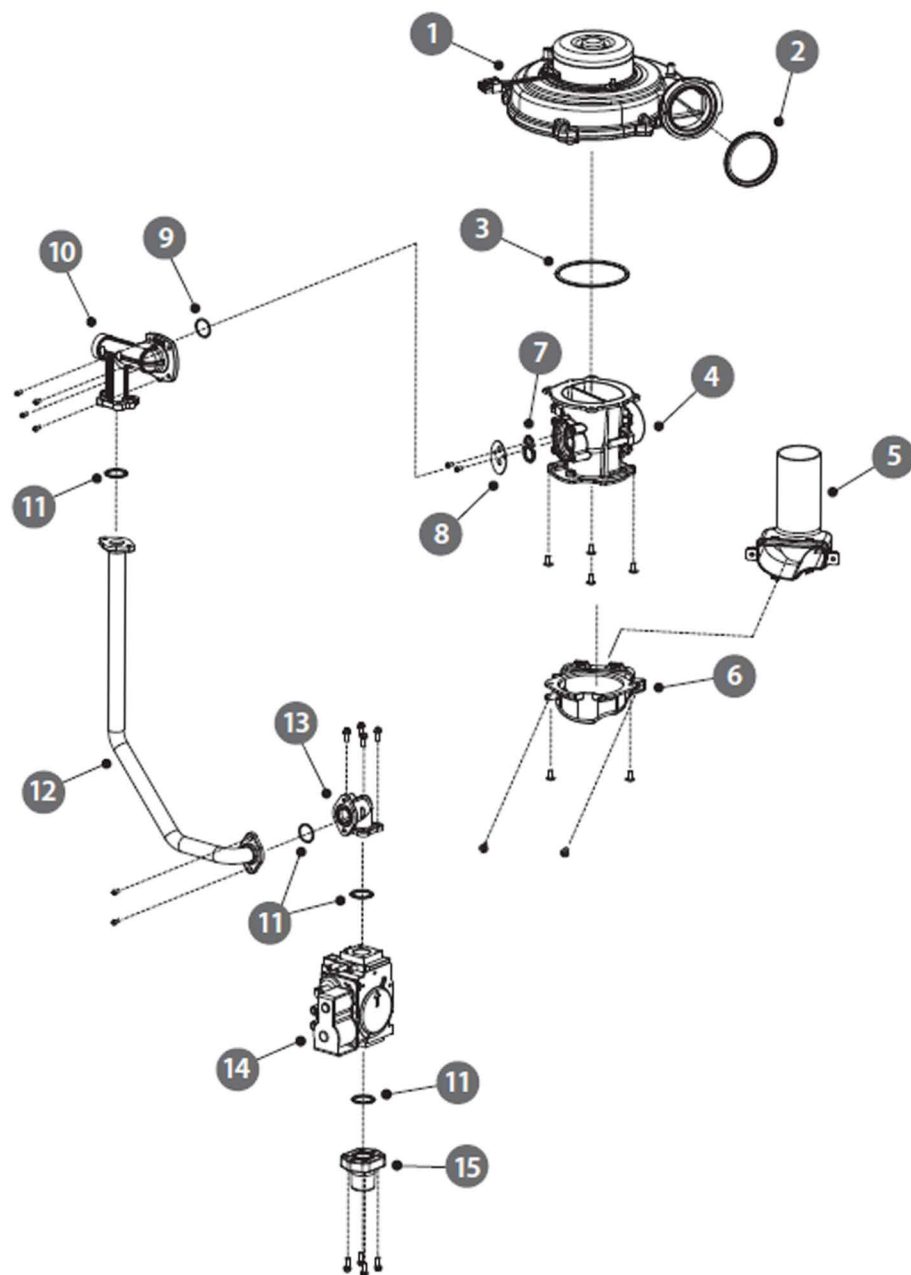
#	Description	Part #	Remark
1	Damper	30008825A	
2	O-Ring (G50)	20003019A	
3	Fan Bracket	20022095A	
4	Siphon	30015905A	
5	Mixer Chamber	20030283A	NCB-150E
		20022750B	NCB-180E
		20022751C	NCB-210E/240E
6	Ignition Transformer	30010455A	
7	Burner Packing	20027105A	NCB-150E
		20021677A	NCB-180E
		20021672A	NCB-210E/240E
8	Heat Exchanger Ass'y	30014697A	NCB-150E
		20022750B	NCB-180E
		20022751C	NCB-210E
		30012317A	NCB-240E
9	Thermistor (Exhaust)	30009478A	
10	Thermistor (Water)	30008366A	
11	High Limit Switch	30002558A	
12	Fastener	20007859A	
13	O-Ring(Ø18.8×2.4t)	20003022A	
14	Heat Exchanger Outlet Pipe	30014733A	NCB-150E
		30011913A	NCB-180E
		30011912A	NCB-210E/240E
15	Packing (Circulation Pump)	20027617A	
16	LWCO (Pressure Sensor)	20007924A	
17	Siphon Hose	20027671A	
18	Return Pipe	30014319A	NCB-150E
		30015659A	NCB-180E
		30015660A	NCB-210E/240E
19	Siphon Fastener	20007833A	
20	LWCO Packing	20006873A	
21	Ignitor	30012226A	NCB-180E/210E/240E
		30014183A	NCB-150E



#	Description	Part #	Remark
1	DHW Heat Exchanger	30015621A	NCB-150E
		30008181A	NCB-180E
		30005017A	NCB-210E/240E
2	Fastener	20007858A	
3	O-Ring (P18)	20006954A	
4	DHW Outlet Elbow	30012328A	
5	Packing	20006852A	
6	Thermistor	30008366A	
7	DHW Outlet Adaptor	30003747A	

#	Description	Part #	Remark
8	DHW Flow Sensor	30012033B	
9	O-Ring (P14)	20006952A	
10	DHW Cold Water Adaptor	30015582A	NCB-150E
		30010315A	NCB-180E
		30010316A	NCB-210E
		30010317A	NCB-240E
11	O-Ring (P20)	20017212A	
12	DHW Cold Water Filter	30007878A	
13	Vent Pipe	30015866A	NCB-150E
		30015943A	NCB-180E
		30014737A	NCB-210E/240E
14	Auto Fill Valve	30012241A	
15	O-Ring (P16)	20017210A	
16	Fastener	20007859A	
17	Auto Fill Valve Adaptor	-	
18	3-Way Outlet Adaptor B	30012332A	
19	Fastener	20017726A	
20	3-Way Outlet Adaptor A	30012331A	
21	Packing	20011380A	
22	Connection Adaptor	20007959A	
23	3-Way Valve	30004831C	
24	Fastener	20007733B	
25	Water Fill Pipe	30012247A	
26	Drain Cock	30008630C	
27	Space Heating Supply Pipe	20033691A	
28	Space Heating Supply Adaptor B	30012330A	
29	Space Heating Return Adapter A	30012329A	
30	Space Heating Strainer	30015446A	
31	3-Way Outlet Pipe	30011906A	
32	Circulation Pump Fastener	20034532A	
33	Circulation Pump	30015307A	
34	O-Ring (Φ21.7x3.5t)	20033699A	
35	O-Ring (Φ18.8x2.6t)	20003022A	
36	Space Heating Return Adapter B	30012330A	
37	SH Supply Pipe	30014736A	
38	Vent Adaptor	30016131A	

12.4.4 Fan (Gas) Assembly



#	Description	Part #	Remark
1	Fan Assembly	30008834A	NCB-150E/180E/210E/240E
2	Fan Packing	20022744A	
3	O-Ring (G75)	20018079A	
4	Dual Venturi	30017402A	NCB-150E/180E/210E/240E
5	Silence	20030064A	NCB-150E
		20032568A	NCB-180E
		20032570A	NCB-210E/240E
6	Silence Adaptor	20033736A	NCB-150E
		20032567A	NCB-180E
		20032569A	NCB-210E/240E
7	Venturi Packing	20022660A	
8	Gas Orifice	20033737A	NCB-150E
		20024159A	NCB-180E (NG)
		20019144B	NCB-210E/240E (NG)
		20034176A	NCB-150E (LP)
		20024190A	NCB-180E (LP)
		20024189B	NCB-210E/240E (LP)
9	O-Ring (P34)	20019090A	
10	Gas Adapter	30009921A	NCB-180E
		30009922B	NCB-210E/240E
11	O-Ring (P20)	20006934A	
12	Gas Pipe	30014321A	NCB-150E
		30012056A	NCB-180E
		30012058A	NCB-210E/240E
13	Gas Connector	20027149A	
14	Gas Valve	30011586A	NCB-180E
		30008429A	NCB-150E/210E/240E
15	Gas Inlet Adaptor	20027748A	