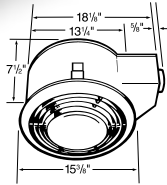


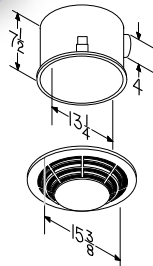
## 9093 Series Features

- Powerful ventilation
- Extra-quiet operation
- Bright ceiling light
- Convenient night light
- White enamel grille
- 1500 watts of powerful heat
- Includes a four-function wall switch
- Fits 2" x 8" ceiling construction

### Model QT9093WH



### Model 9093WH



Model	CFM	Sones	Lighting	Heat
QT9093WH	110	3.0	100/7	1500W
9093WH	70	3.5	100/7	1500W

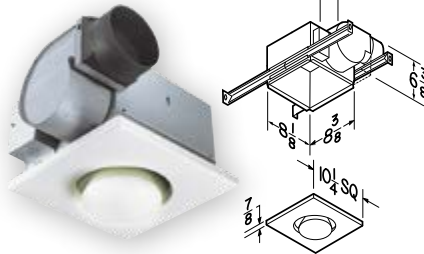
## Bulb Heater Fans. Silent warmth and superior ventilation.

Trust NuTone Bulb Heater/Fans and Bulb Heaters for energy-saving warmth and instant comfort without ever having to touch your central thermostat. These units deliver superior performance and excellent ventilation in a compact package.

### Bulb Heater/Fan Features

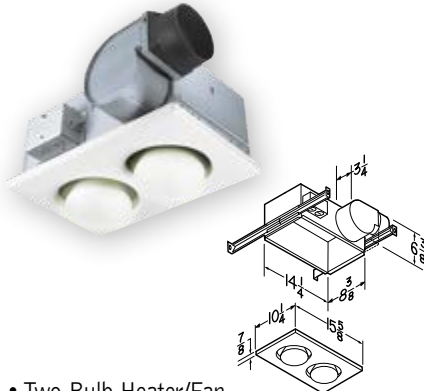
- Quiet, highly efficient polymeric blower wheels
- Polymeric dampers prevent backdrafts and eliminate mechanical noise
- Polymeric 4" round duct connectors with tapered sleeves simplify ducting
- Operate fan and heater independently or together
- Attractive white polymeric grilles
- Compact steel housings with adjustable mounting brackets with keyhole slots that span up to 24"
- 250-watt R40 or BR40 size infrared bulbs (not included)
- Type IC, UL Listed for 60°C wiring (retrofits)

### Model 9417DN



- One-Bulb Heater/Fan

### Model 9427P



- Two-Bulb Heater/Fan
- Two-function control (available separately)

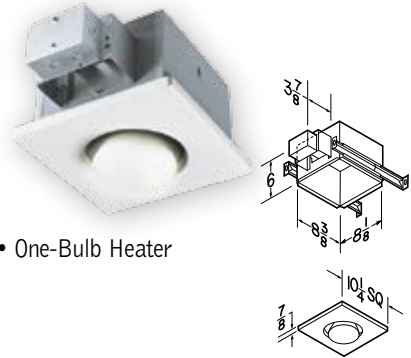
Model	CFM	Sones	Heat	Ducting
9417DN	70	3.5	250W*	4"
9427P	70	3.5	500W*	4"

\*Infrared bulbs not included

### Bulb Heaters Only

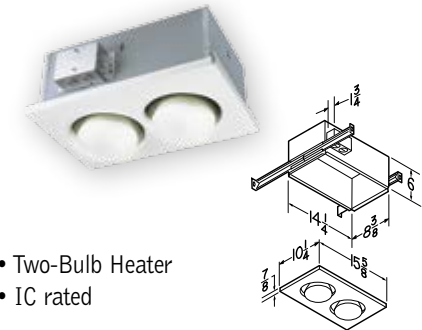
- Infrared bulbs deliver energy-saving warmth
- Get instant comfort in the bathroom without turning up the central thermostat
- 250-watt R40/BR40 size infrared bulbs (not included)
- Attractive, white polymeric grilles
- Compact steel housings
- Adjustable mounting brackets with keyhole slots span up to 24"

### Model 9412D



- One-Bulb Heater

### Model 9422P



- Two-Bulb Heater
- IC rated

Model	Watts	Volts	Amps
9412D*	250	120	2.1
9422P	500	120	4.6

\*9412D is not IC rated

## Heater/Fan/Lights

	Page	CFM	Sones HVI certified	Lighting Watts Main/Night Light	Housing Dimensions			Grille Dimensions		Grille finish	Duct Size"	Amps	Total Connected Load In Watts	Element Watts	Exhaust Motor Watts	Heating Motor Watts	BTU
					L"	W"	H"	L"	W"								
605RP	40	70	4.0	—	14 $\frac{3}{8}$	7 $\frac{7}{8}$	5 $\frac{1}{2}$	16 $\frac{1}{4}$	9 $\frac{7}{8}$	White Polymeric	4	13.5	1620	1300	60	60	5118
665RP	40	70	4.0	100W	14 $\frac{3}{8}$	7 $\frac{7}{8}$	5 $\frac{1}{2}$	16 $\frac{1}{4}$	9 $\frac{7}{8}$	White Polymeric	4	14.2	1720	1300	60	60	5118
765HL	39	100	2.0	100W	16	10 $\frac{1}{4}$	5 $\frac{1}{2}$	17 $\frac{1}{2}$	11 $\frac{1}{2}$	White Polymeric	4	14.5	1830	1500	55	55	5120
765HFL	39	100	2.0	27W Fluor. (Incl.)	16	10 $\frac{1}{4}$	5 $\frac{1}{2}$	17 $\frac{1}{2}$	11 $\frac{1}{2}$	White Polymeric	4	14	1760	1500	55	55	5120
9093WH	41	70	3.5	100W/7W	13 $\frac{3}{4}$ Dia x 7 $\frac{1}{2}$			15 $\frac{3}{8}$ Dia		White Enamel	4	14.2	1717	1500	55	55	5118
9417DN	41	70	3.5	250W	8 $\frac{3}{8}$	8 $\frac{3}{8}$	6 $\frac{3}{8}$	10 $\frac{1}{4}$	10 $\frac{1}{4}$	White Polymeric	4	2.6	310	—	60	—	853
9427P	41	70	3.5	2-250W	14 $\frac{1}{4}$	8 $\frac{3}{8}$	6 $\frac{3}{8}$	10 $\frac{1}{4}$	15 $\frac{3}{8}$	White Polymeric	4	5.0	560	—	60	—	1706
9905	40	70	4.0	—	14	9 $\frac{3}{4}$	7 $\frac{3}{4}$	16	10 $\frac{3}{8}$	White Polymeric	4	13.5	1620	1500	60	60	5118
9960	40	—	—	100W/7W	14	9 $\frac{3}{4}$	7 $\frac{3}{4}$	16	10 $\frac{3}{8}$	White Polymeric	—	13.9	1667	1500	—	60	5118
9965	40	70	4.0	100W/7W	14	9 $\frac{3}{4}$	7 $\frac{3}{4}$	16	10 $\frac{3}{8}$	White Polymeric	4	14.2	1727	1500	60	60	5118
QT9093WH	41	110	3.0	100W/7W	18 $\frac{1}{8}$	13 $\frac{3}{4}$	7 $\frac{1}{2}$	15 $\frac{3}{8}$ Dia		White Enamel	4	14.2	1717	1500	55	55	5118
QTXN110HL	39	110	0.9	2-60W/7W	17 $\frac{1}{8}$	11 $\frac{3}{8}$	7 $\frac{1}{2}$	20	15	White Polymeric	6	14.6	1710	1500	55	55	5120
QTXN110HFLT	39	110	0.9	36W Fluor. (GU24 Incl.)/7W	17 $\frac{1}{8}$	11 $\frac{3}{8}$	7 $\frac{1}{2}$	20	15	White Polymeric	6	13.9	1626	1500	55	55	5120

## Heater Only

	Page	Watts	Volts	Heating Motor		Housing Dimensions			Grille Dimensions		Grille finish
				Amps	BTU/hr	W"	H"	D"	W"	H"	
9412D	41	250	120	2.1	853	8 $\frac{3}{8}$	8 $\frac{3}{8}$	6	10 $\frac{1}{4}$	10 $\frac{1}{4}$	White Polymeric
9422P	41	500	120	4.6	1706	14 $\frac{1}{4}$	8 $\frac{3}{8}$	6	15 $\frac{3}{8}$	10 $\frac{1}{4}$	White Polymeric