

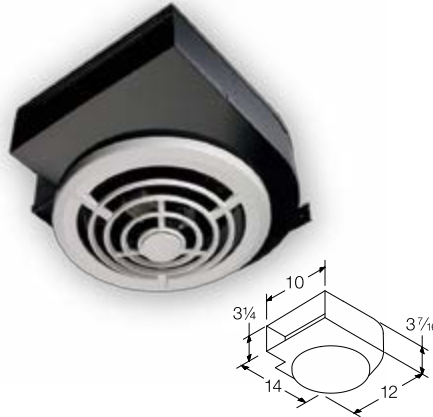


Powerful solutions for problem rooms.

Wall/Ceiling Mount—Vertical/Horizontal Discharge

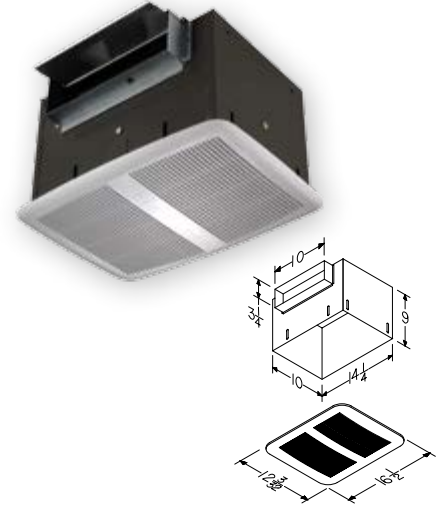
Eliminate humidity or tobacco smoke from recreation rooms or workshops with these powerful utility ventilators. All feature powerful, permanently lubricated motors and rugged steel housings.

Model 8310 Wall/Ceiling Mount—Side discharge only



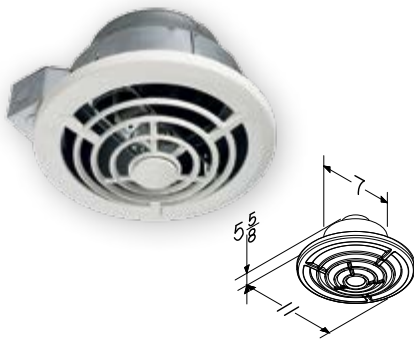
- 3 1/4" x 10" duct, side discharge
- Paintable engineered resin grille installs easily
- Motor assembly offers fast easy "twist-lock" installation
- Specially designed fan blade stays in balance—will not distort
- Installs easily in walls or ceiling
- Built-in backdraft damper
- Adjustable mounting brackets span from 14" to 24" O.C. joist
- UL Listed for use in cooking areas

Model QT200 & QT300 Ceiling Mount



- Sturdy brown-enamel steel housing is lined with sound-deadening foam for quiet operation
- Low RPM motor plugs into prewired junction box
- Motor and twin blowers dynamically balanced for smooth, quiet operation
- Vents horizontally or vertically with 3 1/4" x 10" duct
- Duct collar with quiet backdraft damper included
- Installs easily between 16" O.C. joist with slotted mounting bracket. Slots on housing sides provide alternative mounting
- Wiring knockouts located on top and back of housing

Model 8210 Ceiling Mount—Vertical Discharge



- Ventilates directly through the roof with round ducting
- Paintable engineered resin grille installs with a single screw
- Adjustable hanger bars for 16" or 24" O.C. joists
- Motor mounting bracket has two slots that slide over two mounting screws on sleeve for faster installation
- Specially designed transition-type housing reduces diameter of discharge opening to fit 7" round duct; no reducer is needed
- UL Listed for use in cooking areas

Wall/Ceiling	CFM	Sones	Ducting	Notes
8210	210	6.5	7"	Vertical Discharge Only
8310	160	5.0	3-1/4" x 10"	Rectangular Duct
QT200	200	2.0	3-1/4" x 10"	Rectangular Duct
QT300	300	4.5	3-1/4" x 10"	Rectangular Duct

Ventilation Fans—Product Specifications

Fan/Lights continued

	Page	CFM	Sones HVI certified	Baths up to () Sq Ft	Rooms up to () Sq Ft	Lighting Watts Main/Night Light	ENERGY STAR®	Duct Size"	Housing Dimensions			Grille Dimensions			Grille finish	Amps
									L"	W"	H"	L"	W"	D"		
QTXEN110SFLT	22	110	0.7	100	—	2-18W flour/4W	Yes	6	11½"	10½"	7"	13"	13¾"	—	White Polymeric	1
QTXEN150FLT	21	150	1.4	140	—	2-18W GU24/4W	Yes	6	11½"	10½"	7"	13"	14"	—	White Polymeric	1.2
QTXN110SL	22	110	0.9	100	—	100W/4W	No	6	11½"	10½"	7"	12½"	13¾"	—	White Polymeric	1
RN80L	15	80	<0.3	—	Yes	2-18W GU24	Yes	4	11½"	10½"	7"	13"	14"	—	White Polymeric	0.3
RN110L	15	110	0.8	—	Yes	2-18W GU24	Yes	4	11½"	10½"	7"	13"	14"	—	White Polymeric	0.9
XN110HL	17	110	<0.3	100	—	2-18W GU24/4W	Yes	6	10½"	11½"	7"	13½"	14"	—	White Polymeric	1
XN110L	17	110	<0.3	100	—	2-18W GU24/4W	Yes	6	10½"	11½"	7"	13"	13¾"	—	White Polymeric	0.9
XN50L	17	50	<0.3	45	—	2-18W GU24/4W	Yes	6 or 4	10½"	11½"	7"	13"	13¾"	—	White Polymeric	0.7
XN80L	17	80	<0.3	75	—	2-18W GU24/4W	Yes	6 or 4	10½"	11½"	7"	13"	13¾"	—	White Polymeric	0.7
ZN110HL	17	110	<0.3	100	—	2-18W GU24/4W	Yes	6	10½"	11½"	7"	13½"	14"	—	White Polymeric	1
ZN110L	17	110	<0.3	100	—	2-18W GU24/4W	Yes	6	10½"	11½"	7"	13"	13¾"	—	White Polymeric	0.9
ZN110ML	17	110	<0.3	100	—	2-18W GU24/4W	Yes	6	10½"	11½"	7"	13½"	14"	—	White Polymeric	1
ZN80L	17	80	<0.3	75	—	2-18W GU24/4W	Yes	6 or 4	10½"	11½"	7"	13"	13¾"	—	White Polymeric	0.8
ZN80ML	17	80	<0.3	75	—	2-18W GU24/4W	Yes	6 or 4	10½"	11½"	7"	13½"	14"	—	White Polymeric	0.9

Utility Fans

	Page	CFM	Sones	Housing Dimensions			Grille Dimensions		Amps*	Duct"
				L"	W"	H"	L"	W"		
8210	35	210	6.5	9 Dia. x 5¾"			11 Diameter		0.82	7
8310	35	160	5.0	13½"	11½"	3½"	11 Diameter		1.0	3¼ x 10
QT200	35	200	2.0	14¾"	10"	9"	16½"	12¾"	1.0	3¼ x 10
QT300	35	300	4.5	14¾"	10"	9"	16½"	12¾"	2.5	3¼ x 10

In-Line Ventilators

	Page	0.2" Ps CFM	Sones	Housing Dimensions			Duct	Amps
				Height	Duct Collar	Fan Diameter		
ILF120	36	110	—	10"	3½"	10"	4"	0.37
ILF130	36	130	—	7¾"	4½"	10"	5"	0.37
ILF250	36	250	—	9½"	5½"	12"	6"	0.8
ILF360	36	360	—	13¾"	7½"	13½"	8"	0.87
ILF530	36	530	—	11¼"	9½"	13½"	10"	2
ILFK120	37	110	—	10"	3½"	10"	4"	0.37
ILFK130	37	130	—	7¾"	4½"	10"	5"	0.37
ILFK250	37	250	—	9½"	5½"	12"	6"	0.8
ILFK2502	37	250	—	9½"	5½"	12"	6"	0.8
ILRF	36	150	—	10"	3½" / 4¾"	10"	4 or 5"	0.8