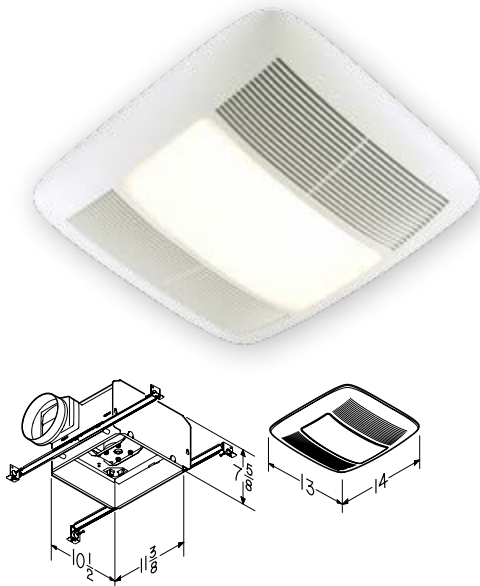


NuTone QT Series™ Fan/Lights. The QT Series is the ultimate bath fan solution for today's homes. Select a QT Series fan/light to bring simple elegance to any bath or powder room. By sight or by sound, you'll barely notice a QT Series fan. Except, of course, when you need just the right amount of ventilation and light at the touch of a switch.

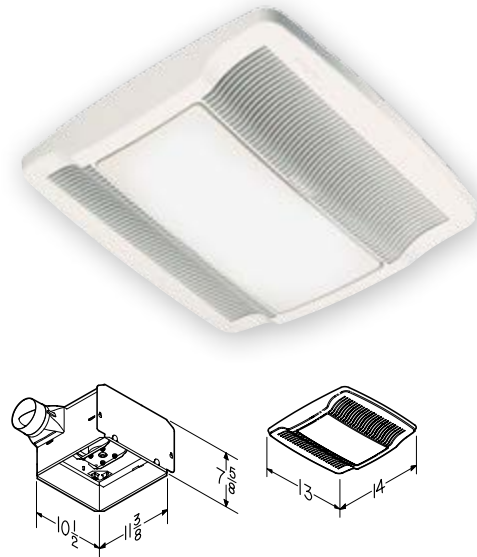
QTXEN, QTREN and QTRN Fan/Light Features

- Nearly silent operation 0.3 to 1.4 sones
- 80 CFM to 150 CFM
- QTXEN models feature 6" ducting for superior performance
- QTREN and QTRN models feature 4" ducting
- QTXEN and QTREN models are ENERGY STAR® qualified
- Bright, energy efficient 36-watt fluorescent lighting (2-18 watt GU24 based bulbs) included with QTXEN and QTREN models
- 100-watt lighting from an incandescent bulb on QTRN models
- 4-watt night light on all models
- QTXEN, QTREN and Housing Packs include hanger bar system for fast and flexible installation for all types of construction
- UL Listed for use over tub or shower when installed in a GFCI protected branch circuit
- HVI Certified
- Motor engineered for continuous operation
- Type IC
- Fits 2" x 8" ceiling construction
- Models RDFQL (radiation damper) and RDJUMPQ (jumper kit) available separately

QTXEN Models



QTREN & QTRN Models



Model	CFM	Sones	Light/ Night Light	ENERGY STAR®	Ducting [▲]
QTXEN080FLT	80	0.3	36W [◆] / 4W	Yes	6"
QTXEN110FLT	110	0.7	36W [◆] / 4W	Yes	6"
QTXEN150FLT	150	1.4	36W [◆] / 4W	Yes	6"
QTREN080FLT	80	0.8	36W [◆] / 4W	Yes	4"
QTREN110FLT	110	1.3	36W [◆] / 4W	Yes	4"
QTRN080L*	80	1.0	100W [■] / 4W	—	4"
QTRN110L*	110	1.5	100W [■] / 4W	—	4"

New styling and improved lighting make NuTone's QT fan/lights even better.

- Light output has been significantly increased, while using 14 fewer watts.
- Lighting design enhancements provide a brighter, broader flood-light effect.
- Improved light diffusion hides hotspots/bulbs.
- Convenient GU24 bulbs are readily available.
- A restyled, low-profile grille on QTXE models blends with any decor.
- Design and lighting improvements were made without increasing sound levels.



ENERGY STAR® fans use 65% less energy, on average, than standard models and may qualify for local utility rebates.
[▲] See page 45 for ducting product specifications.

- Incandescent bulb.
- ◆ 2-18 watt GU24 based fluorescent bulbs included.
- * No radiation damper available



Ventilation Fans—Product Specifications

Fans

	Page	CFM	Sones HVI certified	Baths up to () Sq Ft	ENERGY STAR®	Duct Size"	Housing Dimensions			Grille Dimensions		Grille finish	Amps
							L"	W"	H"	L"	W"		
110RDB*	28	110	4	105	No	4	8	8 1/4	5 1/4	10 1/4	10 1/4	White Acrylic Metal	0.6
50NT	26	50	1.5	45	Yes	4	8 1/4	8	5 1/4	10 1/2	10 1/4	White Polymeric	0.2
671R	27	90	3	85	No	4	9	8 1/2	5 1/4	10 1/2	10 1/4	White Polymeric	0.5
672R	27	110	4	105	No	4	9	9	5 1/4	10 1/2	10 1/4	White Polymeric	0.7
682NT	29	—	—	—	No	—	7 1/2	7 1/4	3 3/4	8 1/2	8 1/2	White Polymeric	1
690NT	29	60	3	55	No	3	See page 29 for compatible models			9 1/2	8 1/16	White Polymeric	1.2
695	27	70	6	65	No	3	7 1/2	7 1/4	3 3/4	9 1/2	8 1/16	White Polymeric	1.2
696N	27	50	4	45	No	3	7 1/2	7 1/4	3 3/4	9 1/2	8 1/16	White Polymeric	0.75
80NT	26	80	2	75	Yes	4	8 1/4	8	5 1/4	10 1/2	10 1/4	White Polymeric	0.3
80RDB*	28	80	2.5	75	No	4	8	8 1/4	5 1/4	10 1/4	10 1/4	White Acrylic Metal	0.6
8814R	27	110	4	105	No	4	9	9	5 1/4	11 1/2	10 1/4	White Polymeric	0.85
8832SA	27	80	2.5	75	No	3	8 1/2	9	4	10 1/2	8 3/4	Silver Anod. Alum	0.75
8832WH	27	80	2.5	75	No	3		8 1/2		10 1/4	9 3/8	White Polymeric	0.7
HD50NT	28	50	1.5	45	Yes	4	8	8 1/4	5 1/4	10 1/4	10 1/4	White Acrylic Metal	0.4
HD50RDB*	28	50	1.5	45	Yes	4	8	8 1/4	5 1/4	10 1/4	10 1/4	White Acrylic Metal	0.4
HD80NT	28	80	2.5	75	No	4	8	8 1/4	5 1/4	10 1/4	10 1/4	White Acrylic Metal	0.6
HD80RDB*	28	80	2.5	75	No	4	8	8 1/4	5 1/4	10 1/4	10 1/4	White Acrylic Metal	0.6
LPN80	26	80	1.0	75	Yes	3-4	8	8 1/4	5 1/4	13	14	White Polymeric	0.3
QTREN080	20	80	0.8	75	Yes	4	11 1/8	10 1/2	7 3/8	13	14	White Polymeric	0.7
QTREN110	20	110	1.3	105	Yes	4	11 1/8	10 1/2	7 3/8	13	14	White Polymeric	0.9
QTRN050	20	50	0.4	45	No	4	11 1/8	10 1/2	7 3/8	13	14	White Polymeric	0.4
QTRN080	20	80	1	75	No	4	11 1/8	10 1/2	7 3/8	13	14	White Polymeric	0.4
QTRN110	20	110	1.5	105	No	4	11 1/8	10 1/2	7 3/8	13	14	White Polymeric	0.3
QTXEN050	20	50	<0.3	45	Yes	6	11 1/8	10 1/2	7 3/8	13	14	White Polymeric	0.3
QTXEN080	20	80	0.3	75	Yes	6	11 1/8	10 1/2	7 3/8	13	14	White Polymeric	0.4
QTXEN110	20	110	0.7	105	Yes	6	11 1/8	10 1/2	7 3/8	13	14	White Polymeric	0.3
QTXEN110S	22	110	0.7	100	Yes	6	11 1/4	10 1/2	7 3/8	12 7/8	13 3/8	White Polymeric	0.3
QTXEN150	20	150	1.4	140	Yes	6	11 1/8	10 1/2	7 3/8	13	14	White Polymeric	0.5
RN80	15	80	<0.3	—	Yes	4	11 1/8	10 1/2	7 3/8	13	14	White Polymeric	0.3
RN110	15	110	0.6	—	Yes	4	11 1/8	10 1/2	7 3/8	13	14	White Polymeric	0.9
XN50	17	50	<0.3	45	Yes	4-6	10 1/2	11 1/8	7 3/8	13	14	White Polymeric	0.1
XN80	17	80	<0.3	75	Yes	4-6	10 1/2	11 1/8	7 3/8	13	14	White Polymeric	0.1
XN110	17	110	<0.3	100	Yes	6	10 1/2	11 1/8	7 3/8	13	14	White Polymeric	0.2
XN110H	17	110	<0.3	100	Yes	6	10 1/2	11 1/8	7 3/8	13 3/8	14	White Polymeric	0.3
ZN80	17	80	<0.3	75	Yes	4-6	10 1/2	11 1/8	7 3/8	13	14	White Polymeric	0.1
ZN80M	17	80	<0.3	75	Yes	4-6	10 1/2	11 1/8	7 3/8	13 3/8	14	White Polymeric	0.1
ZN110	17	110	<0.3	100	Yes	6	10 1/2	11 1/8	7 3/8	13	14	White Polymeric	0.2
ZN110H	17	110	<0.3	100	Yes	6	10 1/2	11 1/8	7 3/8	13 3/8	14	White Polymeric	0.3
ZN110M	17	110	<0.3	100	Yes	6	10 1/2	11 1/8	7 3/8	13 3/8	14	White Polymeric	0.3

* Model RDA fan housing only sold separately for radiation dampers/fans.

Fan/Lights

	Page	CFM	Sones HVI certified	Baths up to () Sq Ft	Rooms up to () Sq Ft	Lighting Watts Main/Night Light	ENERGY STAR®	Duct Size"	Housing Dimensions			Grille Dimensions			Grille finish	Amps
									L"	W"	H"	L"	W"	D"		
668RP	27	70	4	65	85	100W	No	4	14 1/4	7 1/2	5 1/2	16 1/4	9 1/2	—	White Polymeric	2
742RBNT	34	70	3.5	65	85	2-60W	No	4	8 1/4	8	5 1/4	13 3/8 Dia	5 1/2	—	Oil-rubbed Bronze	2.2
744FLNT	32	70	1.5	65	85	16W fluor.	Yes	4	8 1/4	12 3/4	6 1/4	7 3/8 Dia	—	—	White Polymeric	1.2
744LEDNT	32	70	1.5	65	85	14W LED	Yes	4	8 1/4	12 3/4	6 1/4	7 3/8 Dia	—	—	White Polymeric	0.55
744NT	32	70	1.5	65	85	75W	No	4	8 1/4	12 3/4	6 1/4	7 3/8 Dia	—	—	White Polymeric	1.2
744SFLNT	32	70	1.5	65	85	16W fluor.	Yes	4	8 1/4	12 3/4	6 1/4	7 3/8 Dia	—	—	Matte White	0.7
763	27	50	2.5	45	60	100W	No	4	8	8 1/4	5 1/4	12	10 1/4	—	White Polymeric	1.6
769RFT	27	70	3	65	85	13W fluor.	No	4	9	9	5 1/4	12 1/4	10 3/4	—	White Polymeric	1.2
769RL	27	70	3	65	85	100W	No	4	9	9	5 1/4	12 1/4	10 3/4	—	White Polymeric	2
772RBNT	34	80	2	65	85	2-13W	Yes	4	8 1/4	8	5 1/4	13 3/8	6 1/2	—	Oil-Rubbed Bronze	0.8
773BNNT	34	80	2.5	75	75	2-13W	Yes	4	8 1/4	8	5 1/4	13 3/8	5 1/2	—	Brushed Nickel	0.8
778WHNT	26	80	2	75	85	2-13W GU24	Yes	4	8 1/4	8	5 1/4	13 3/8 Dia	—	—	White	0.5
791LEDNT	34	100	1.5	95	125	9W LED	Yes	4	8 1/2	8 1/2	5 1/2	10 1/2	10 1/2	—	White	0.5
8663RP	27	100	3.5	95	125	100W/7W	No	4	9	9	5 1/4	15 Dia	—	—	White Polymeric	1.7
8664RP	27	100	3.5	95	125	100W	No	4	9	9	5 1/4	15 Dia	—	—	White Polymeric	1.7
HD50LNT	28	50	1.5	45	—	100W	No	4	8	8 1/4	5	10 3/8	11 1/8	2	White Polymeric	1.3
HD80LNT	28	80	2.5	75	—	100W	No	4	8	8 1/4	5	10 3/8	11 1/8	2	White Polymeric	1.7
QTLEDA	33	110	0.7	100	—	2-18W GU24	Yes	6 or 4	11 1/8	10 1/2	7 3/8	13 3/4 SQ	3 1/2	—	White Polymeric	1
QTLEDB	33	110	0.7	100	—	2-18W GU24	Yes	6 or 4	11 1/8	10 1/2	7 3/8	13 3/4 SQ	3 1/2	—	White Polymeric	1
QTREN080FLT	21	80	0.8	75	—	2-18W GU24/4W	Yes	4	11 1/8	10 1/2	7 3/8	13	14	—	White Polymeric	1
QTREN110FLT	21	110	1.3	100	—	2-18W GU24/4W	Yes	4	11 1/8	10 1/2	7 3/8	13	14	—	White Polymeric	1
QTRN080L	21	80	1	75	—	100W/4W	No	4	11 1/8	10 1/2	7 3/8	13	14	—	White Polymeric	1.6
QTRN110L	21	110	1.5	100	—	100W/4W	No	4	11 1/8	10 1/2	7 3/8	13	14	—	White Polymeric	1.8
QTXEN080FLT	21	80	0.3	75	—	2-18W GU24/4W	Yes	6	11 1/8	10 1/2	7 3/8	13	14	—	White Polymeric	1
QTXEN110FLT	21	110	0.7	100	—	2-18W GU24/4W	Yes	6	11 1/8	10 1/2	7 3/8	13	14	—	White Polymeric	1