

NONMETALLIC CABLE SPLICE & TAP KITS



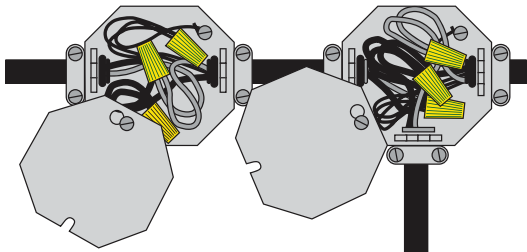
NONMETALLIC CABLE SPLICE & TAP KITS

ELIMINATE COSTLY AND TIME-CONSUMING JUNCTION BOXES

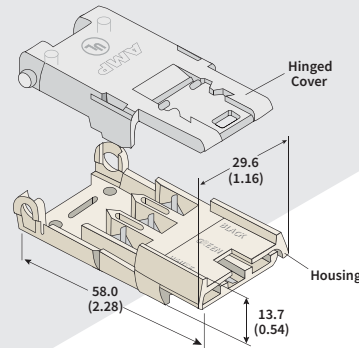
The NSI NM Splice & Tap Method provides a fast and reliable way to connect 12 and 14 AWG circuits using non-metallic (NM) cable, eliminating the need for junction boxes, covers, fittings or connectors. These products are approved for use in a variety of applications including residential branch circuits, manufactured housing and prefabricated building structures.

NM connectors can be installed in residential applications without any additional hardware and without cutting into the existing wiring and junction boxes. In factory installations within prefabricated structures, the NM connectors eliminate costly and slow on-site wiring. Individual modules can be joined by snapping together splices and taps with no special training or tools.

Termination is easy: simply split the cable, remove the sheathing, cut the splice conductors to length if necessary, then plug connectors together to finish the installation. Individual conductors only need to be exposed, not stripped, due to the displacement contacts' design.

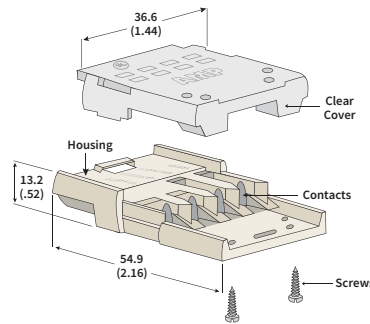


NSI NM SPLICE & TAP METHOD



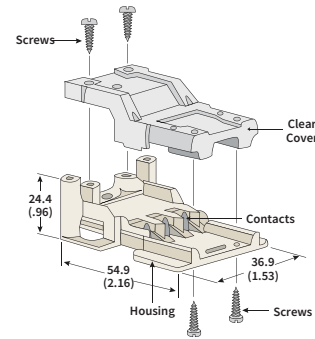
NMS -2 (SPLICE)

For splicing 12 or 14 AWG solid conductor, 2-conductor cable with ground. Hinged cover for fast and easy termination. NMS-2 Kit includes everything required to make a 2-conductor splice.



NMS -3 (SPLICE)

For splicing 12 or 14 AWG solid conductor, 3-conductor cable with ground. NMS-3 Kit includes everything required to make a 3-conductor splice.



NMT -2 (TAP)

For tapping into 12 or 14 AWG solid conductor 2-conductor cable with ground. NMT-2 Kit includes everything required to complete a 2-conductor tap.

CATALOG NUMBER	UPC CODE	MAIN AWG	KIT DESCRIPTION	CARTON QTY.
NMS-2	00320	12 - 14 AWG	Splice for 2-conductor cable with ground	25
NMS-3	00321	12 - 14 AWG	Splice for 2-conductor cable with ground	25
NMT-2	00322	12 - 14 AWG	Splice and tap kit for 2-conductor cable	12