

# Installation Instructions

\*\*\*URGENT: READ PRIOR TO ATTEMPTING INSTALLATION\*\*\*

## NULB SERIES

### UNDER CABINET - LED LIGHT BAR

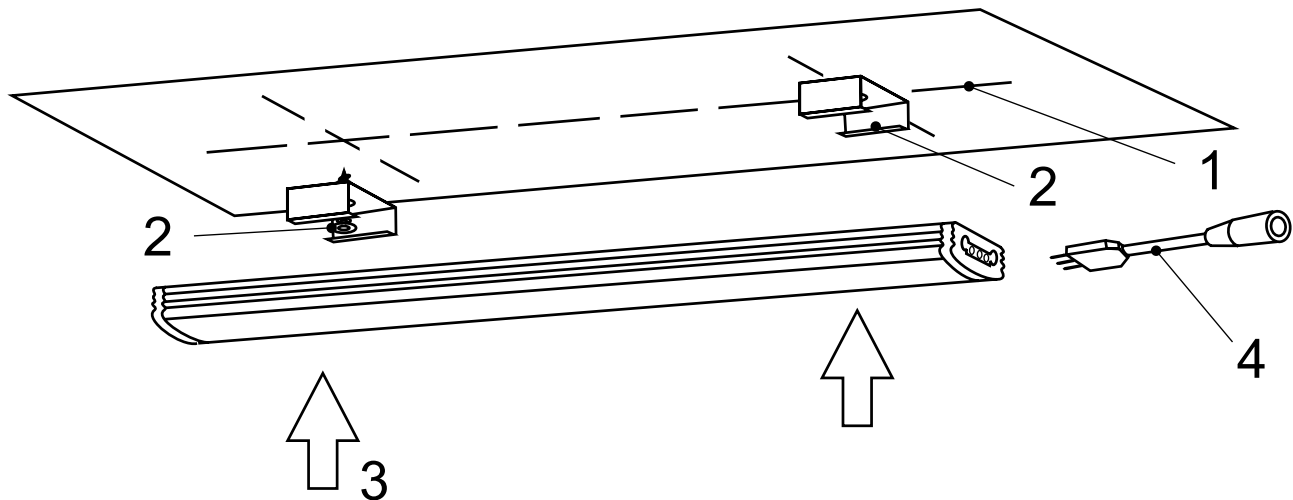
ALWAYS TURN OFF MAIN POWER BEFORE INSTALLATION

Item	Description	Rating
NULB-6LED	6" LED Light Bar	6 LED's 1.88 Watts
NULB-12LED	1' LED Light Bar	12 LED's 3.75 Watts
NULB-24LED	2' LED Light Bar	24 LED's 7.5 Watts
NULB-36LED	3' LED Light Bar	36 LED's 11 Watts
NULB-48LED	4' LED Light Bar	48 LED's 15 Watts
NULB-12LEDKIT	(8) 12" LED Light Bar Kit	96 LED's 30 Watts

INSTALLATION SHOULD BE CARRIED OUT BY YOUR LOCAL ELECTRICIAN.

#### Caution:

- Always turn off power prior to installation or replacement.
- Risk of electric shock. Do not use any connection pins to touch any electrical conductors.
- Do not press directly on the top cover, as it may cause damage.
- For indoor use only. Do not use the product in a potentially combustive environment or outdoors.

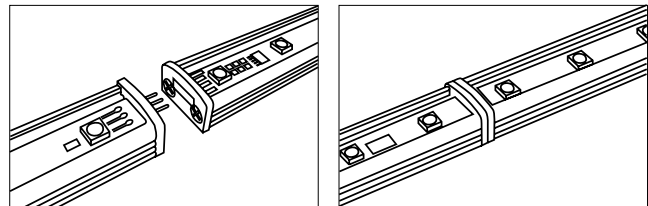


#### Installation Instructions

1. Mark the mounting position on the surface to align the LED Light Bar.
2. Align and secure the mounting clips to the surface.
3. Gently push the LED Light Bar into the mounting clips.
4. Connect LED Bars to create a continuous row by using seamless type connectors (A). Be careful not to go over the wattage limit of the driver when connecting LED Light Bars.
5. Plug-in power feed (B) into either side of the LED Light Bar.
6. Check the connections and turn the power on.

#### Multi-Connection:

##### (A) Seamless type (P2P)



##### (B) Cable type (PLP)

