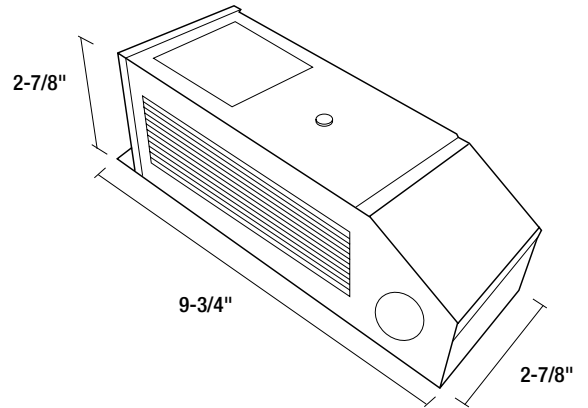


Type _____

Project _____

Catalog No. _____

Lamp/Wattage _____

DIMENSIONS

Width: 3-3/8"
 Length: 9-3/4"
 Height: 2-7/8"

**NMTD-60/24D****24 VDC, 60W Class II LED Magnetic Driver****PRODUCT DESCRIPTION**

120VAC-277VAC/24VDC 60 Watt Class II fused constant voltage Magnetic remote transformer. Secondary 60W output is fused for 5 amps at 24VDC. Ideal for use in areas requiring reliable operation under stressful conditions.

FEATURES

- Fully dimmable, with low voltage magnetic dimmer
- NEC Class II 5A Breaker Protection
- Resists spikes, surges, and all other power irregularities
- 24 Hour Operation, direct sunlight capable
- Dry location use only
- cULus Listed

CONSTRUCTION

Steel housing constructed of 0.055 black finished metal. Two 1/2" knockouts allow for 120VAC-277VAC incoming power supply and 12VDC output.

MOUNTING

Knockouts provided in front of transformer allow fixture to be secured to wood, drywall, or sheet metal.

ELECTRICAL

Input: 120V-277V 60Hz

Output: 24VDC 2.5A Max.60VA

Wattage: 60W

Dimming: Requires magnetic low voltage dimmer

Maximum Distance: 50'

RESET

In the event of one or more fuses cutting power due to overload/surge/short circuit, transformer provides simple push-button reset.

APPLICATIONS

Use for any application where noise free operation is required. Approved for use with all Nora Lighting low voltage tape light and low voltage under cabinet fixtures. High saturation core construction allows the NMTD to operate in environments unfriendly to standard electronic transformers. Unit may be exposed to direct sunlight, operate 24 hours per day, and is virtually blind to spikes, surges, brownouts, and other power irregularities and anomalies.

Labels and Listings

cULus Listed

NEC Class II

INCLUDED

NALTL-10 10 inch power cord for transformer

24 VDC, 60W Class II LED Magnetic Driver

NMTD-60/24D: 24 VDC, 60W Class II LED Magnetic Driver