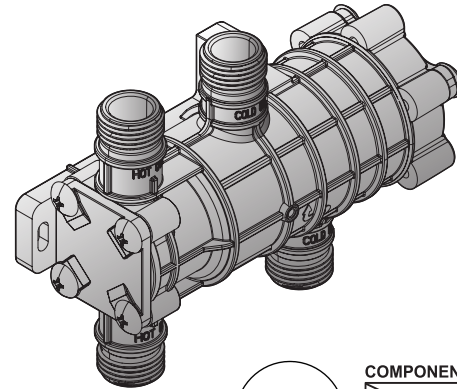
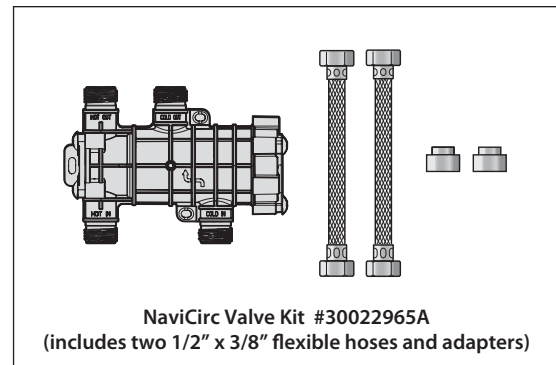


- **NaviCirc** is a simple plumbing device that uses the existing hot and cold water lines to reduce the wait time for hot water at the faucet without the need for a dedicated recirculation return line
- Designed and optimized for use with Navien **NPE-A** Series water heater models
- Automatically blocks circulation when the hot water temperature within the valve reaches **95°F (35°C)**
- Compatible with the Navien **HotButton** Kit for demand-type recirculation systems

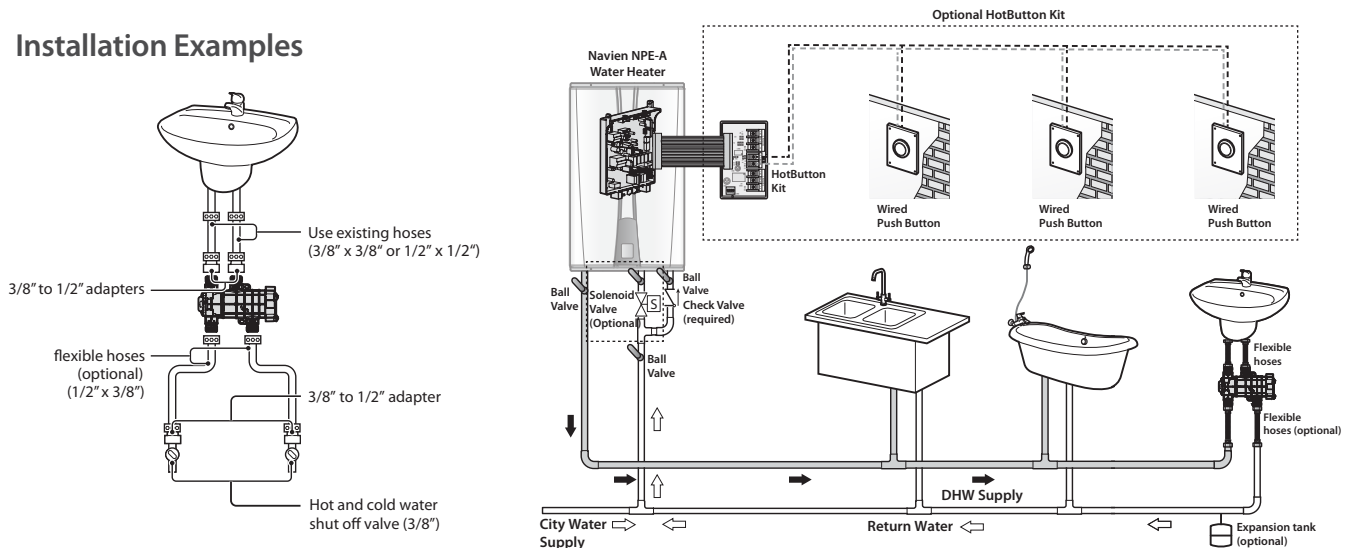


Specifications

Items	Specifications
Product Name	NaviCirc
Part Number	PFFW-SXX-001 (Valve Only)
Water Flow Rate Range	0.53 - 1.06 GPM (2.0 - 4.0 LPM)
Crossover Shutoff Temperature	95°F (35°C)
Water Temperature Range	41°F to 180°F (5°C to 82°C)
Ambient Temperature Range	32 - 122°F (0 - 50°C) (Indoor use only)
Storage Temperature Range	23 - 122°F (-10 - 50°C)
Maximum Water Pressure	150 psi
Installation Operation	Horizontal Only
Dimensions (in)	5.62 x 3.93 x 2.19
Weight (lb)	1.1 lb (0.5 kg)
Warranty	3 Year

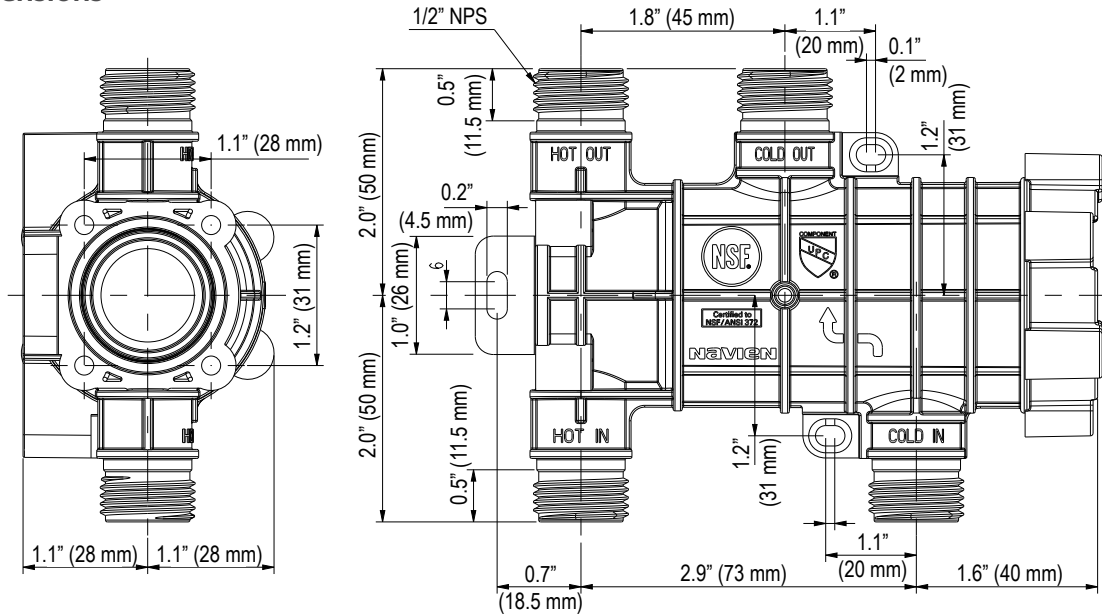


Installation Examples



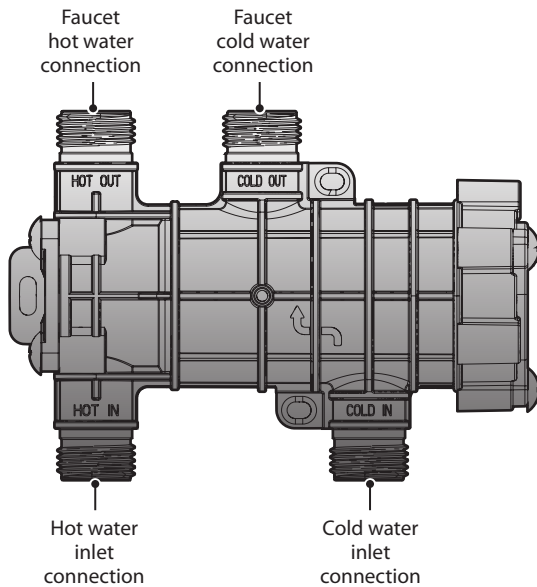
NOTE: Install the NaviCirc valve at the faucet furthest from the water heater

Dimensions



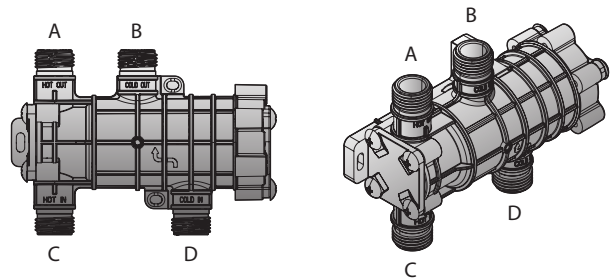
Component Layout

Refer to the following diagram for the NaviCirc layout



Supply Connections

Refer to the following table for the NaviCirc supply connection specifications.



Front View

Side View

	List	Connection Size
A	Hot water outlet	1/2" NPS
B	Cold water outlet	1/2" NPS
C	Hot water inlet	1/2" NPS
D	Cold water inlet	1/2" NPS
Dimension (in)		5.62 x 3.93 x 2.19

* Navien reserves the right to change specifications at any time without prior notice