

### DESCRIPTION

- Chrome plated metal construction
- 1/2" IPS connections
- Supplied with vandal resistant screws

### OPERATION

- Wrist Blade style handles with hot and cold color indicators
- Hot side counterclockwise (1/4) turn to open (clockwise to close)
- Cold side clockwise (1/4) turn to open (counter-clockwise to close)


### FLOW

- Aerator is limited to 1.5 gpm max (5.7 L/min)

### CARTRIDGE

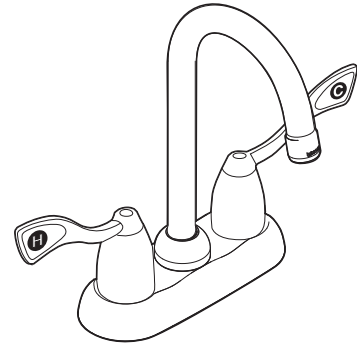
- 1224 cartridge design
- Nonmetallic and stainless steel construction

### STANDARDS

- Third party certified to meet ASME A112.18.1/CSA B-125.1, NSF61/9 and all applicable requirements referenced therein
- Contains no more than 0.25% weighted average lead content
- Complies with California Proposition 65 and with the Federal Safe Drinking Water Act
- **ADA**  for lever handles

### WARRANTY

- Warranted for 5 years against material or manufacturing defects

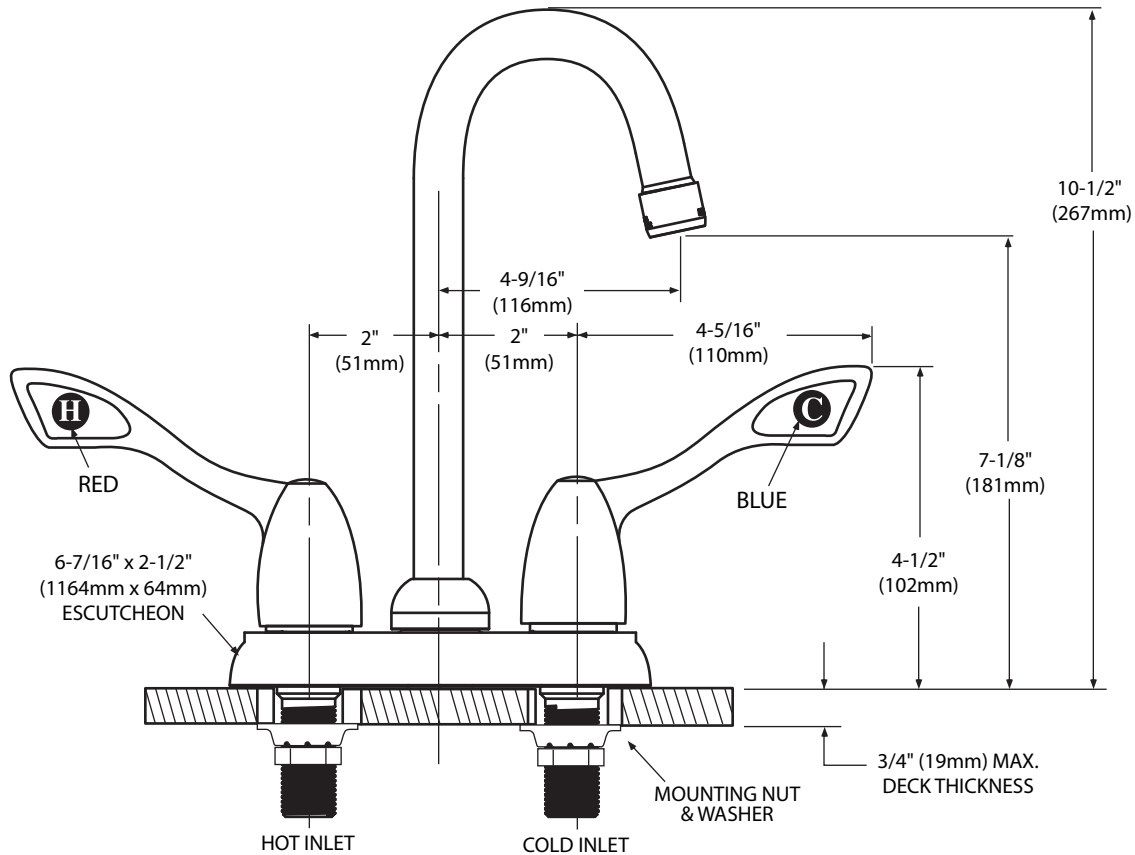


**Two-Handle Bar Faucet**

**Model: 8938**



**NOTE:** This faucet is designed to be installed through 2 holes, 1" min. dia. and 4" on center



### CRITICAL DIMENSIONS

(DO NOT SCALE)