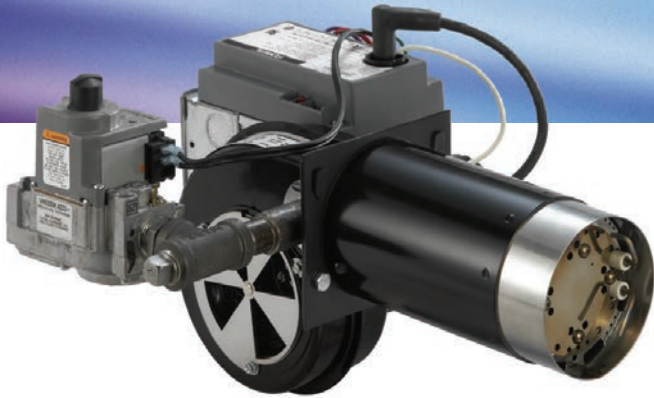




# Economite Legacy Series

## Power Gas Burners

### EC200 & EC300



*Economite Legacy Series  
EC200 & EC300*

*Economite EC Series Power Gas Burners are engineered to match a wide variety of applications or customized to meet OEM applications. The compact design not only meets or exceeds industry standards; it also packs a lot of power for its size. Sheet metal construction affords high volume production and shorter lead times giving you a better-cost value ratio. Each unit is fully assembled and factory fire tested assuring you a high quality performance product. Installation is effortless with our integrated junction box and universal mounting flange.*

#### **The Midco Advantage Over the Competition:**

Why buy a Midco burner over a competing product? There are two excellent reasons -

**One:** We Fire Test Every Burner before shipping it out to you or your customer.

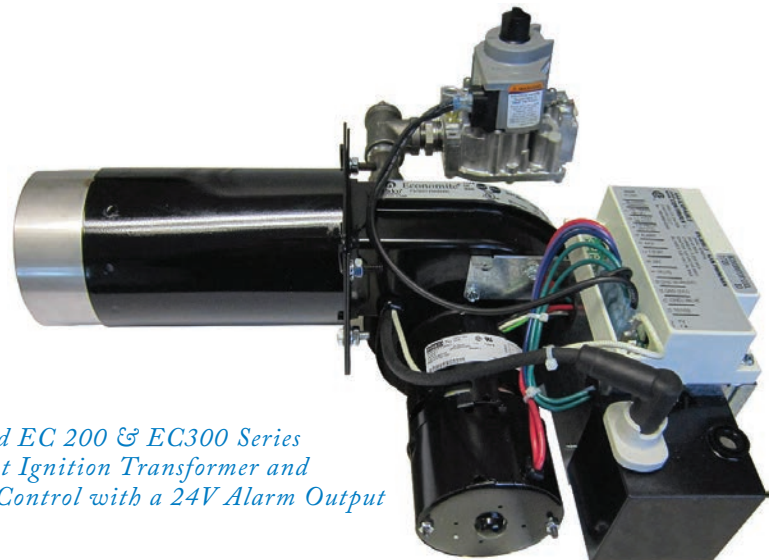
**Two:** We stand on our reputation for excellent post order support on all of our Midco burners. Which is a highly prized benefit that is not always apparent or present when looking for the 'best price' in a product. We stand by our motto: "Quality Designed for Proven Performance".

#### *Space Saving Design*

#### *Rock Solid*

#### *Packed with Power*

#### *All Rolled into One Great Burner!*



*Economite Enhanced EC 200 & EC300 Series  
with an Independent Ignition Transformer and  
Enhanced Ignition Control with a 24V Alarm Output*



**Midco**  
INTERNATIONAL

Midco® International Inc.  
4140 West Victoria Street  
Chicago, Illinois 60646  
toll free 866.705.0514  
tel 773.604.8700  
fax 866.580.8700  
web [www.midcointernational.com](http://www.midcointernational.com)  
e-mail [sales@midcointernational.com](mailto:sales@midcointernational.com)

*Quality Designed for Proven Performance*



# Specifications

Model Number	Minimum Firing Rating*	Maximum Firing Rating*	Gas Connection Pipe Size	Gas Pressure Required Natural or Propane	Diameter of Nozzle	Maximum Nozzle Insertion Depth	SCFM**	Design Certification	Primary Safety	Shipping Weight
EC200	70,000*	200,000*	3/4" NPT	6.0" to 14.0" W.C	4.0"	6.0"	40.0	U.L./C.U.L. Listed	24V	25 lb
EC300	90,000*	300,000*	3/4" NPT	6.0" to 14.0" W.C	4.0"	6.0"	60.0	U.L./C.U.L. Listed	24V	25 lb

\* BTU/HR      \*\* SCFM - Standard Cubic Feet/ Minute

Flame Safety: Direct Spark Ignition with 100% shut-off,

30 second pre-purge, 3 Function Redundant 1/2"NPT Main Automatic Gas Valve

Electrical Supply: 120/1/60, 3 AMP (Standard) 230 Volt 50/60HZ (Available - Contact Factory)

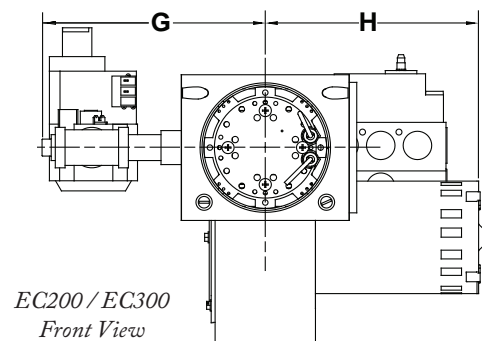
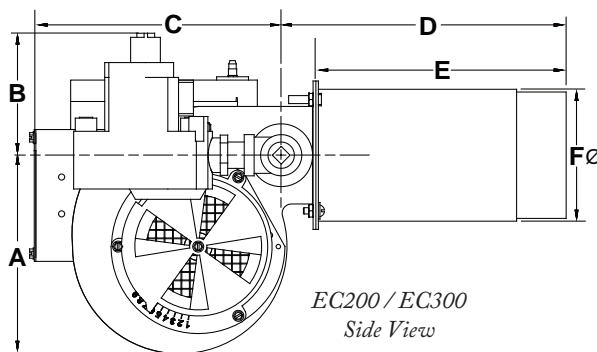
The EC Series is provided as a fully assembled power burner with an integrated burner control system. For further information please contact [sales@midcointernational.com](mailto:sales@midcointernational.com)

## Features and Benefits

- ... Interchangeable Stainless Steel Burner Retention Heads
  - compatibility to different applications
  - operation under variable draft conditions
  - firing into small combustion chambers
- ... Integrated Direct Spark Ignition System with Pre-Purge
  - compliance with ANSI Z21.20 standard
  - 30 seconds pre-purge clears the combustion chamber before ignition cycle
  - proper sequencing of the burner operation
- ... Light and Compact Removable Burner Assembly from the Burner Tube and Flange
  - ease of serviceability and correct burner alignment
- ... Pre-Piped, Pre-Wired, Factory Fired Tested
  - ease of installation
  - reliable operational sequence
- ... Compact Design and Small Footprint
  - light weight for lower shipping cost
  - space saving
- ... Permanently Sealed Ball Bearing Motor
  - Quiet and maintenance free
- ... Universal Mounting Flange
  - Application flexibility
  - universal bolt pattern
  - OEM welded flange available
- ... Air Shutter Positive Lock Fitting
  - no shifting of air shutter caused by vibration
  - reduction of unauthorized adjustment
- ... Adjustable External Air Shutter with Indication
  - visual indication of air shutter position
  - faster burner set up
- ... Triple Function Redundant Gas Valve
  - can use either Natural or LP gas
  - one valve to stock for servicing

### Enhanced EC Burner Features and Benefits

- ... Independent Ignition Transformer
  - provides a stronger spark
- ... Enhanced Ignition Control
- ... 24V Alarm Output



	A	B	C	D	E	F	G**	H
EC200	5-5/16"	3-11/16"	7-7/8"	8-5/8"	7-1/2"	4" Ø	6-13/16"	6-13/16"
EC300	6-9/16"	3-11/16"	7-7/8"	8-5/8"	7-1/2"	4" Ø	6-13/16"	9"

\*\* Approximate

Whether you purchase an 'off the shelf' unit or have us create one to fit your needs, you can be assured of having purchased the finest combustion power gas burner in the industry. Do you need assistance in burner selection, installation or service? Just call Midco International direct today or visit our web site at [www.midcointernational.com](http://www.midcointernational.com) and locate your local representative to find out more about our complete line of burners.

