



**Catalog Number** 91610  
**UPC Number** 60198691610  
**Description** Heavy Duty Feed Through Ground Pipe Clamp



#### Features

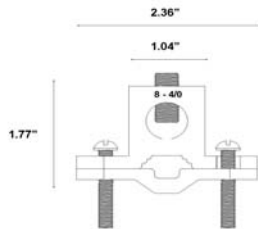
- Manufactured from High Strength High Conductivity Cast Copper Alloy
- Stainless Steel Screws
- Ground Rod, Water Pipe, Rebar applications
- Direct Burial Rated
- #8 - 4/0 Ground Wire Capacity

#### General

Pipe Size: 1/2" - 1"  
Ground Rod Size: 3/8" - 1"  
Material: Cast Copper Alloy  
Bolt Type: Stainless Steel  
Screw Thread: 3/8" x 16  
Ground Wire Range: #8 awg - 4/0

#### Dimension Information

Stock Thickness  
A Dim Inches: 0.59"  
B Dim Inches: 2.38"



#### Specifications

Temperature Rating  
Voltage Rating: 600  
Flammability Rating  
Amp Rating

#### Packaging

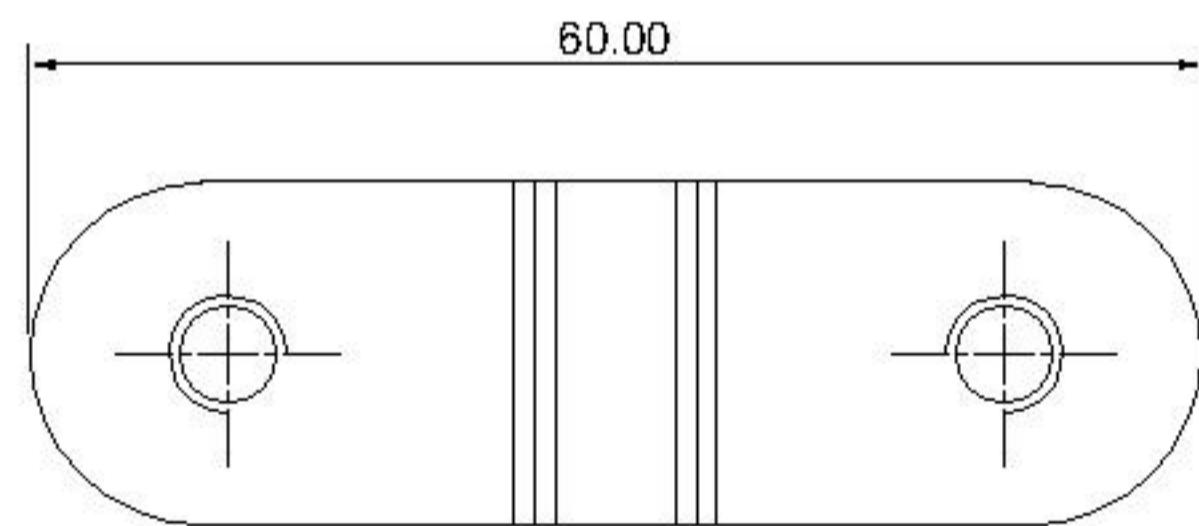
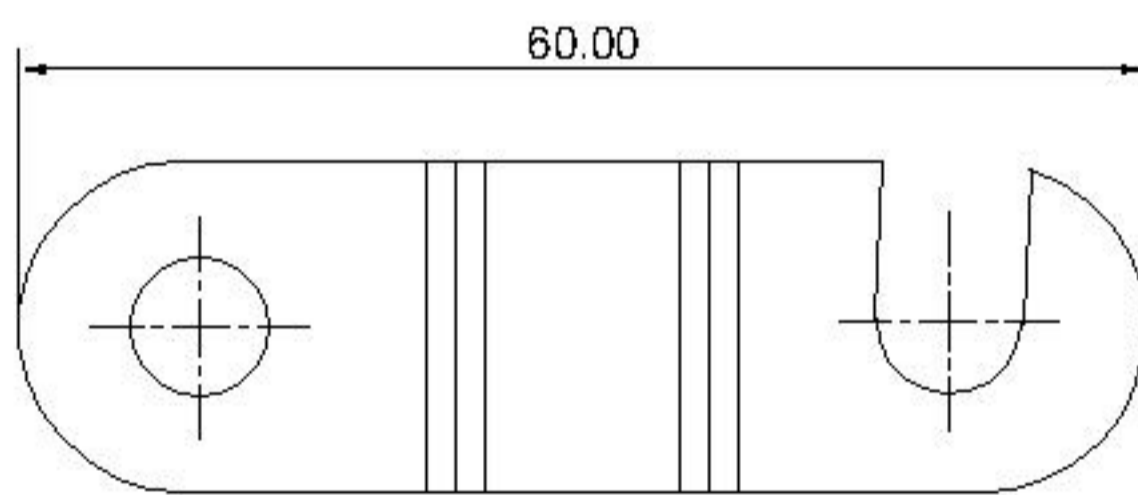
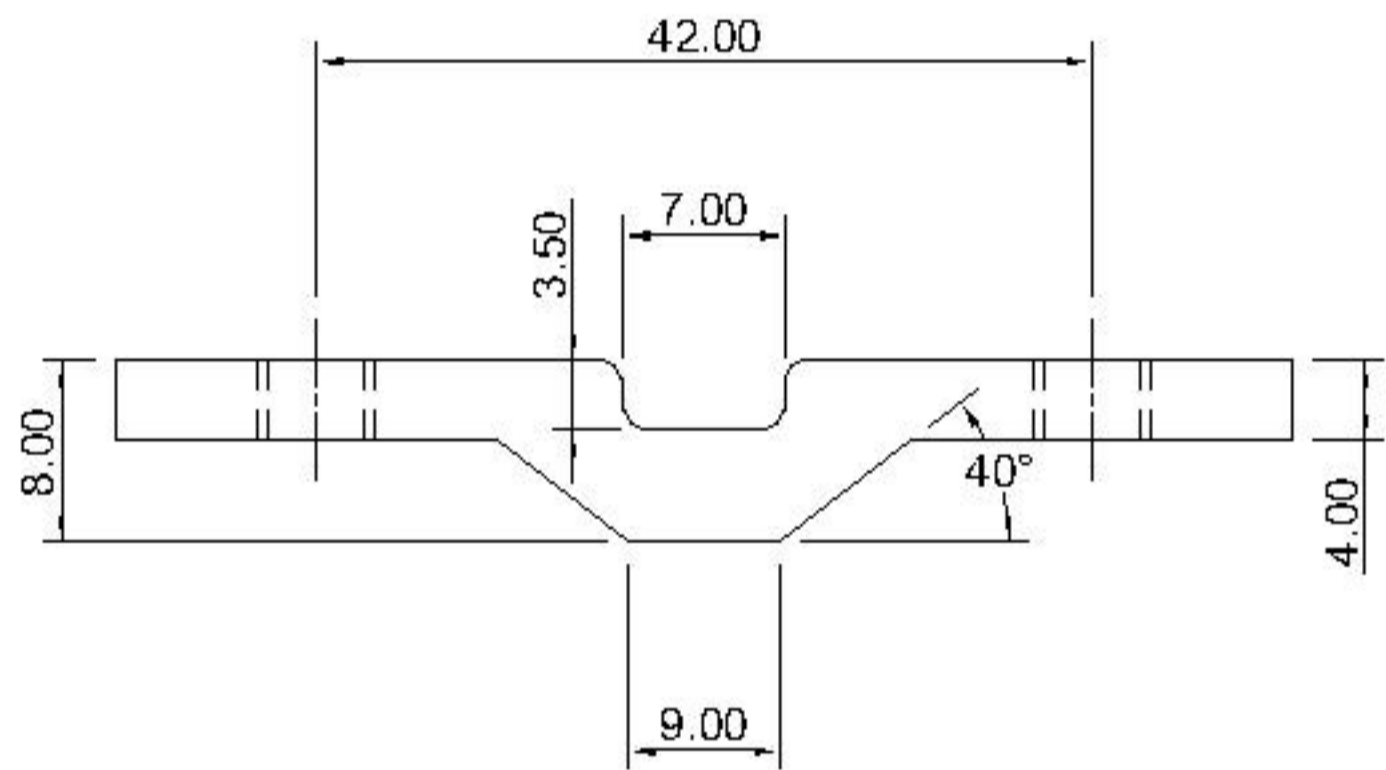
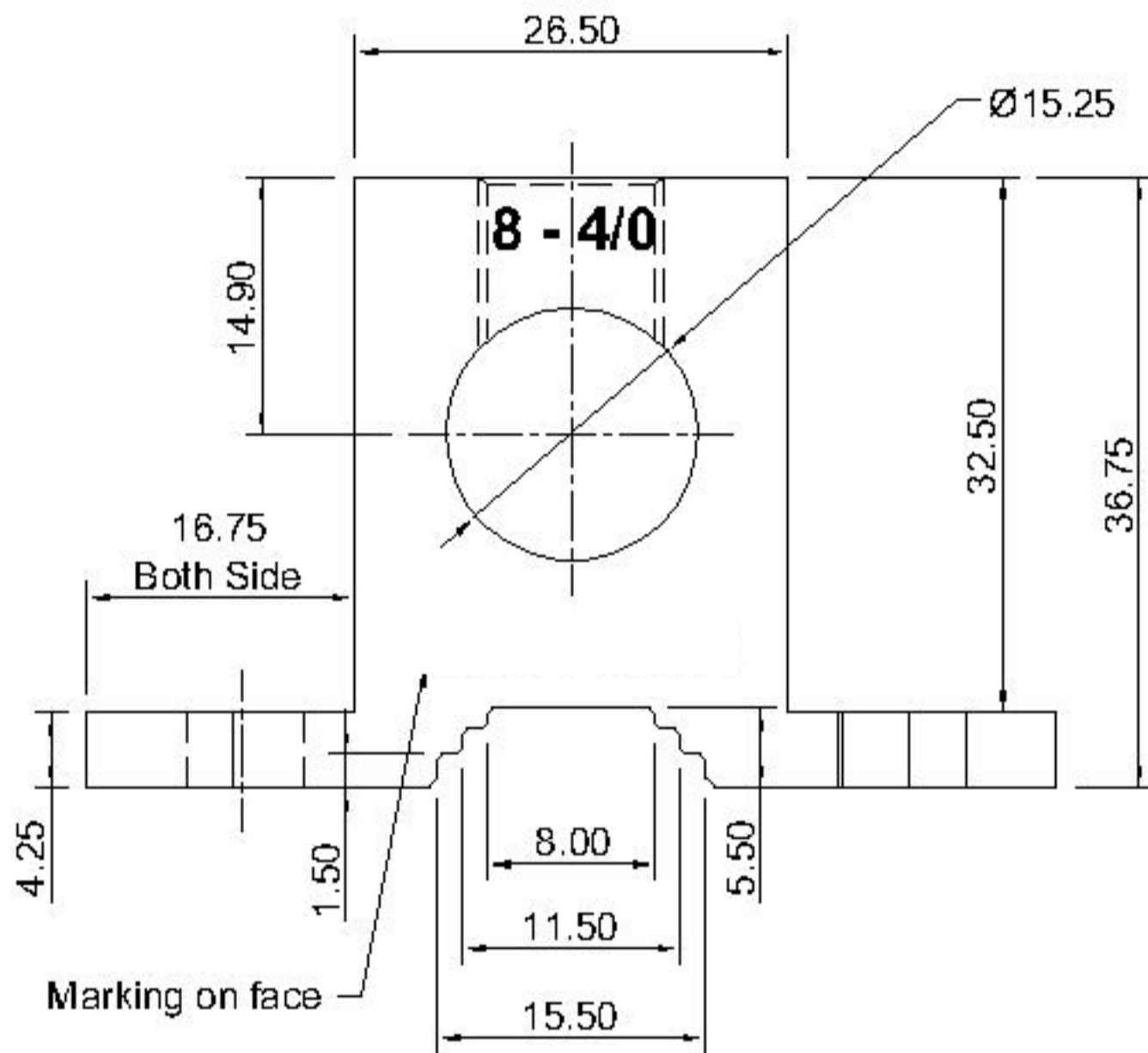
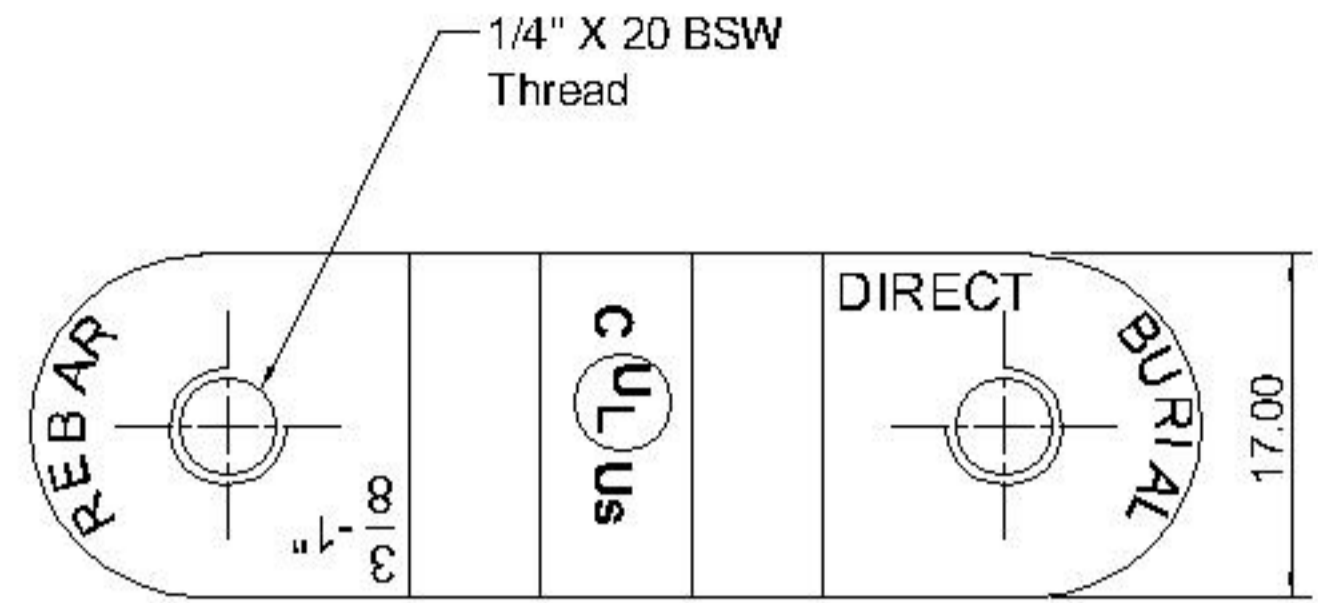
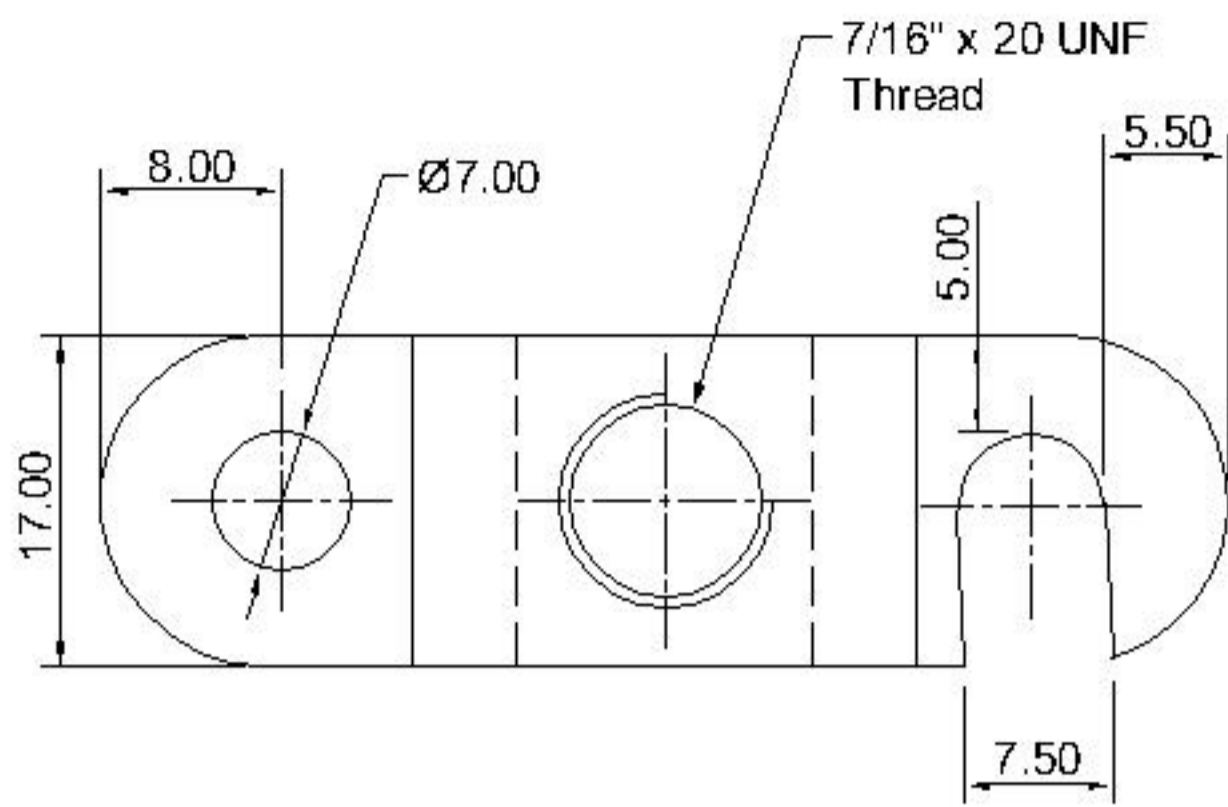
Box Qty: 25

#### Certifications

UL: 467 Direct Burial  
cUL: Yes  
RoHS: Yes

[www.morrisproducts.com](http://www.morrisproducts.com)

Morris Products 53 Carey Road, Queensbury, NY 12804



	NAME	DATE					
DRAWN		15/01/2003					
CHECKED	R.S. Gada	15/01/2003	B	Dimension Revised	10/06/10	Parmar	V.G. Patel
APPROVED	R.S. Gada	15/01/2003	A	Dimension Revised	25/01/10	Jaysukh	Sunil
MATERIAL -	Copper Alloy with copper above 80 %		Rev. No.	Details of Revision	Date	Drawn	Approved
TREATMENT -	Shot Blasting			Morris Products Inc. Queensbury NY			
TOLERANCE -	±1.00		TITLE - <b>Ground Clamp for REBAR</b>				
SCALE -	N.T.S.						
All dimensions are in mm.			Drawing No.- 91610		Weight :-		Size :- A4