



Buy it for looks. Buy it for life.®

Specifications

DESCRIPTION

- Reflex™ pulldown system offers smooth operation, easy movement and secure docking
- Metal construction with various finishes identified by suffix
- High arc spout provides the perfect height and reach for prep sinks while the pulldown feature provides infinite maneuverability for food preparation tasks
- Single hole mounting
- Handle reversibility feature
- Wand with quick connect system
- Includes 68" hose
- Flexible supply lines with 3/8" compression fittings

OPERATION

- Single handle lever
- Temperature controlled by 100° arc of handle travel
- Convenient single-button actuation provides flexibility to switch from stream to spray mode


FLOW

- Flow is limited to 1.5 gpm (5.7 L/min) at 60 psi

CARTRIDGE

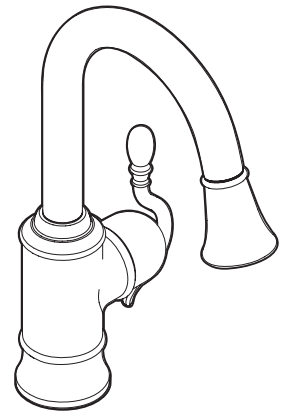
- 1255™ Duralast™ cartridge for Single-Handle Faucets

STANDARDS

- Third party certified to IAPMO Green, ASME A112.18.1/CSA B125.1 and all applicable requirements therein including NSF 61/9
- Meets CalGreen and Georgia SB370 requirements
- Contains no more than 0.25% weighted average lead content
- Complies with California Proposition 65 and with the Federal Safe Drinking Water Act
- **ADA**  for lever handle

WARRANTY

- Lifetime limited warranty against leaks, drips and finish defects to the original consumer purchaser
- 5 year warranty if used in commercial installations

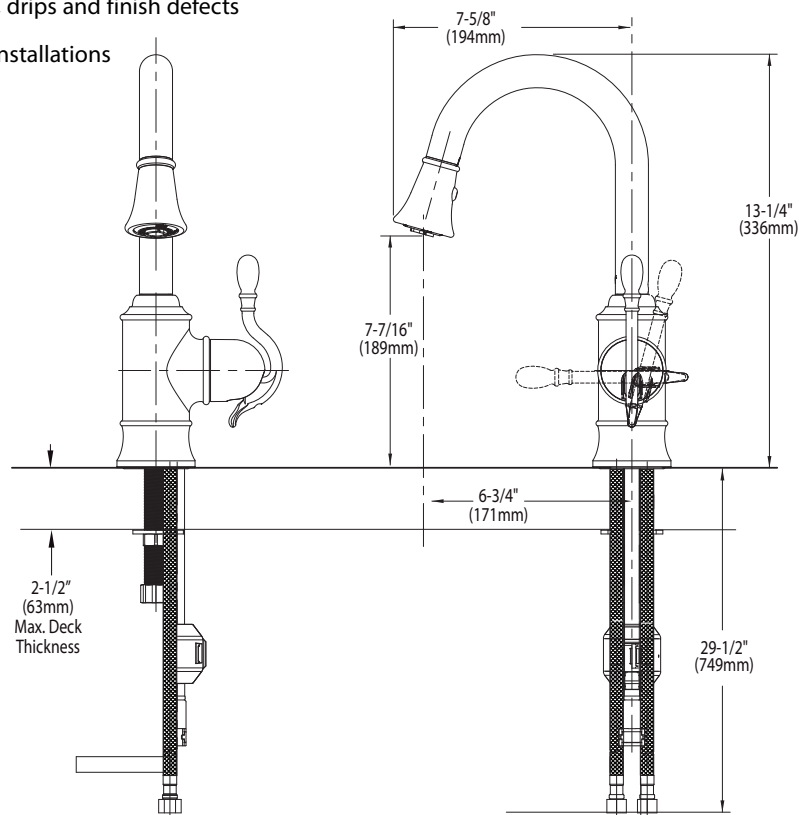


WOODMERE®

Single Handle Single Hole Mount High Arc Pulldown Prep Faucet

Models: S6208 series

NOTE: THIS FAUCET IS DESIGNED TO BE INSTALLED THRU 1 HOLE, 1-1/2" (38mm) MIN. DIA.



CRITICAL DIMENSIONS

(DO NOT SCALE)