



Buy it for looks. Buy it for life.®

*There is more than 1 version of this model.  
Page down to identify the version you have.*

**DESCRIPTION**

- Metal construction with various finishes identified by suffix
- Flexible supplies with 3/8" compression fittings
- Designed to be installed through 2, 1-1/4" (32mm) min. dia. holes
- Quick connect installation

**OPERATION**

- Lever style handle
- Temperature controlled by 100° arc of handle travel


**FLOW**

- Spout flow is limited to 1.5 gpm (5.7 L/min) at 60 psi

**CARTRIDGE**

- 1255™ Duralast™ cartridge

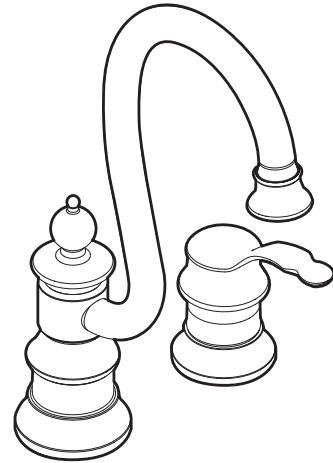
**STANDARDS**

- Third party certified to ASME A112.18.1/CSA B125.1 and all applicable requirements referenced therein including NSF 61/9
- Contains no more than 0.25% weighted average lead content
- Complies with California Proposition 65 and with the Federal Safe Water Drinking Act
- **ADA**  for lever handle

**WARRANTY**

- Lifetime limited warranty against leaks, drips and finish defects to the original consumer purchaser
- 5 year warranty if used in commercial installations

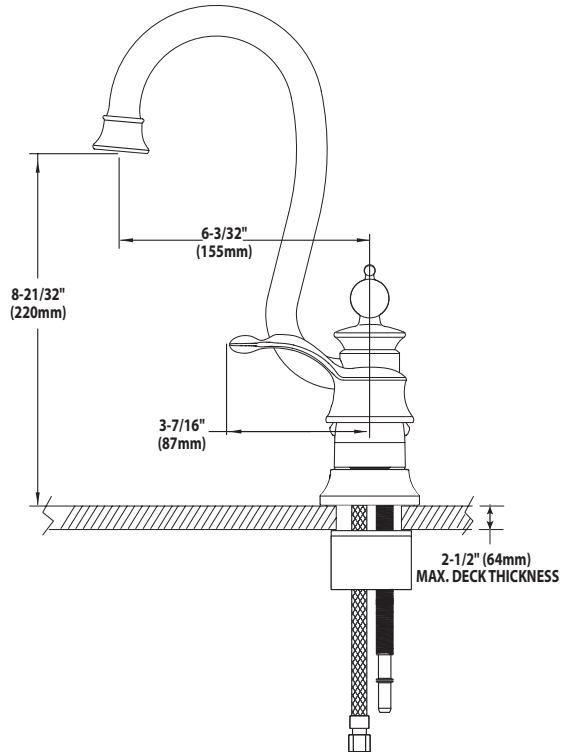
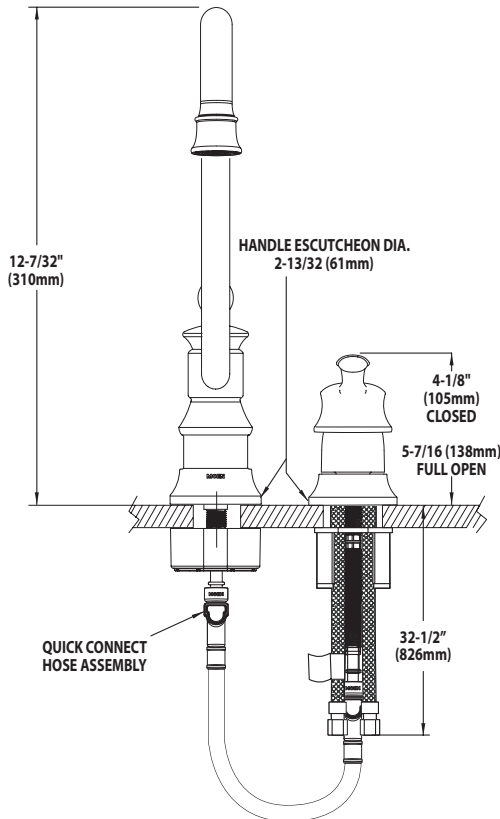
# Specifications



**WATERHILL™**  
**Single-Handle Bar Faucet**

**Models:** S611series

**NOTE:** DESIGNED TO INSTALL THROUGH 2 HOLES  
1-1/4" (32MM) MIN. DIA. AND 4" (102MM) ON CENTER



## CRITICAL DIMENSIONS

(DO NOT SCALE)

The use of aerator part 116711 reduces flow to a maximum of 1.5 gpm (5.7L/min.)



Buy it for looks. Buy it for life.®

# Specifications

## DESCRIPTION

- Metal construction with various finishes identified by suffix
- Flexible supplies with 3/8" compression fittings
- Designed to be installed through 2, 1-1/4" (32mm) min. dia. holes
- Quick connect installation

## OPERATION

- Lever style handle
- Temperature controlled by 100° arc of handle travel

## FLOW

- Spout flow is limited to 2.0 gpm (7.6 L/min) at 60 psi

## CARTRIDGE

- 1255™ Duralast™ cartridge

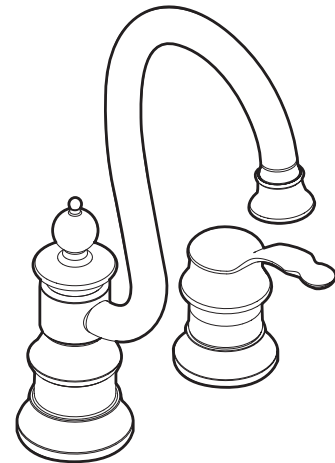
## STANDARDS

- Third party certified to ASME A112.18.1/CSA B125.1 and all applicable requirements referenced therein including NSF 61/9
- Contains no more than 0.25% weighted average lead content
- Complies with California Proposition 65 and with the Federal Safe Water Drinking Act

- **ADA**  for lever handle

## WARRANTY

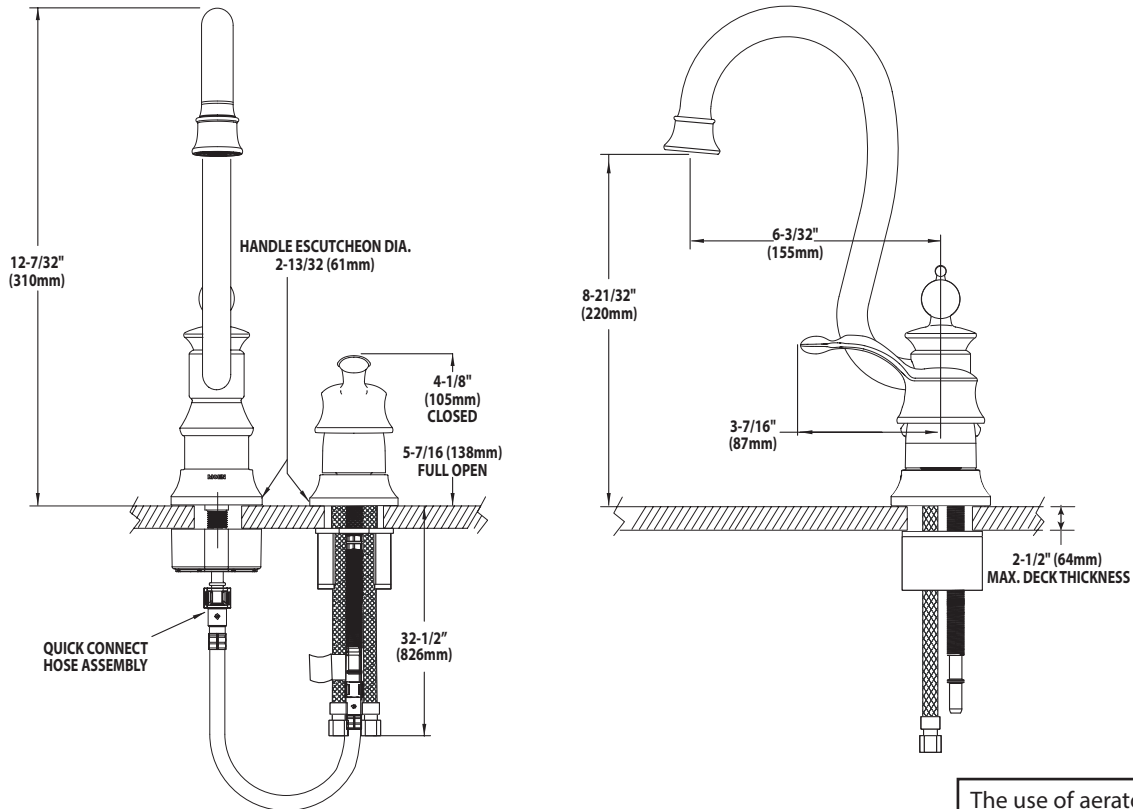
- Lifetime limited warranty against leaks, drips and finish defects to the original consumer purchaser
- 5 year warranty if used in commercial installations



**WATERHILL™**  
**Single-Handle Bar Faucet**

**Models:** S611series

**NOTE:** DESIGNED TO INSTALL THROUGH 2 HOLES  
1-1/4" (32MM) MIN. DIA. AND 4" (102MM) ON CENTER



## CRITICAL DIMENSIONS

(DO NOT SCALE)

The use of aerator part 116711 reduces flow to a maximum of 1.5 gpm (5.7L/min.)



Buy it for looks. Buy it for life.®

# Specifications

## DESCRIPTION

- Metal construction with various finishes identified by suffix
- 1/2" IPS connections will accept standard ball nose connection for 3/8" tubing
- Includes hot and cold temperature indicator
- Designed to be installed through 2, 1-1/4" (32mm) min. dia. holes
- Quick connect installation

## OPERATION

- Lever style handle
- Temperature controlled by 130° arc of handle travel


## FLOW

- Aerator is limited to 2.0 gpm (7.6 L/min) at 60 psi

## CARTRIDGE

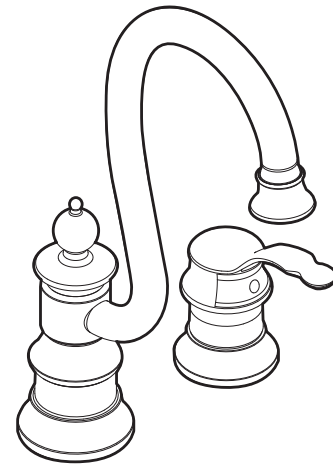
- 1225 cartridge design with nonmetallic/nonferrous and stainless steel materials

## STANDARDS

- Third party certified to ASME A112.18.1/CSA B125.1 and all applicable requirements therein including NSF 61/9
- Complies with California Proposition 65 and with the Federal Safe Drinking Water Act
- **ADA**  for lever handle

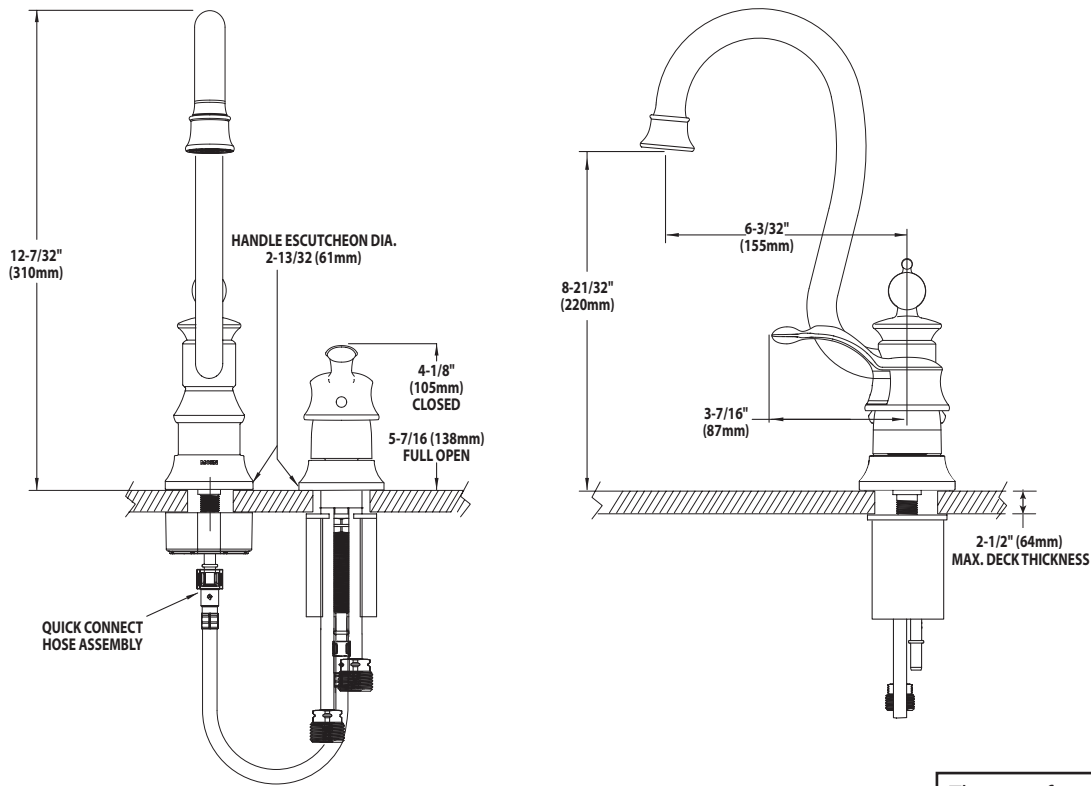
## WARRANTY

- Lifetime limited warranty against leaks, drips and finish defects to the original consumer purchaser
- 5 year warranty if used in commercial installations



**Waterhill™**  
**Single-Handle Bar Faucet**  
**Models: S611series**

**NOTE:** DESIGNED TO INSTALL THROUGH 2 HOLES 1-1/4" (32MM) MIN. DIA. AND 4" (102MM) ON CENTER



## CRITICAL DIMENSIONS

(DO NOT SCALE)

The use of aerator part 116711 reduces flow to a maximum of 1.5 gpm (5.7L/min.)