



Buy it for looks. Buy it for life.®

# Specifications

## FAUCET DESCRIPTION

- Metal construction with various finishes identified by suffix
- Single hole mounting
- Flexible supply lines with 3/8" compression fittings
- High arc spout provides height and reach to fill or clean large pots
- 360° rotating spout provides ability to install handle on either side

## OPERATION

- Lever style handle
- Temperature controlled by 100° arc of handle travel

## FLOW

- Spout flow is limited to 2.0 gpm max (7.6L/min) at 60 psi

## CARTRIDGE

- 1255™ Duralast™ cartridge for Single-Handle Faucets

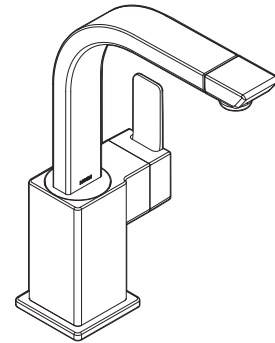
## STANDARDS

- Third party certified to ASME A112.18.1/CSA B125.1 and all applicable requirements referenced therein including NSF 61/9
- Contains no more than 0.25% weighted average lead content
- Complies with California Proposition 65 and with the Federal Safe Water Drinking Act

- ADA  for lever handle

## WARRANTY

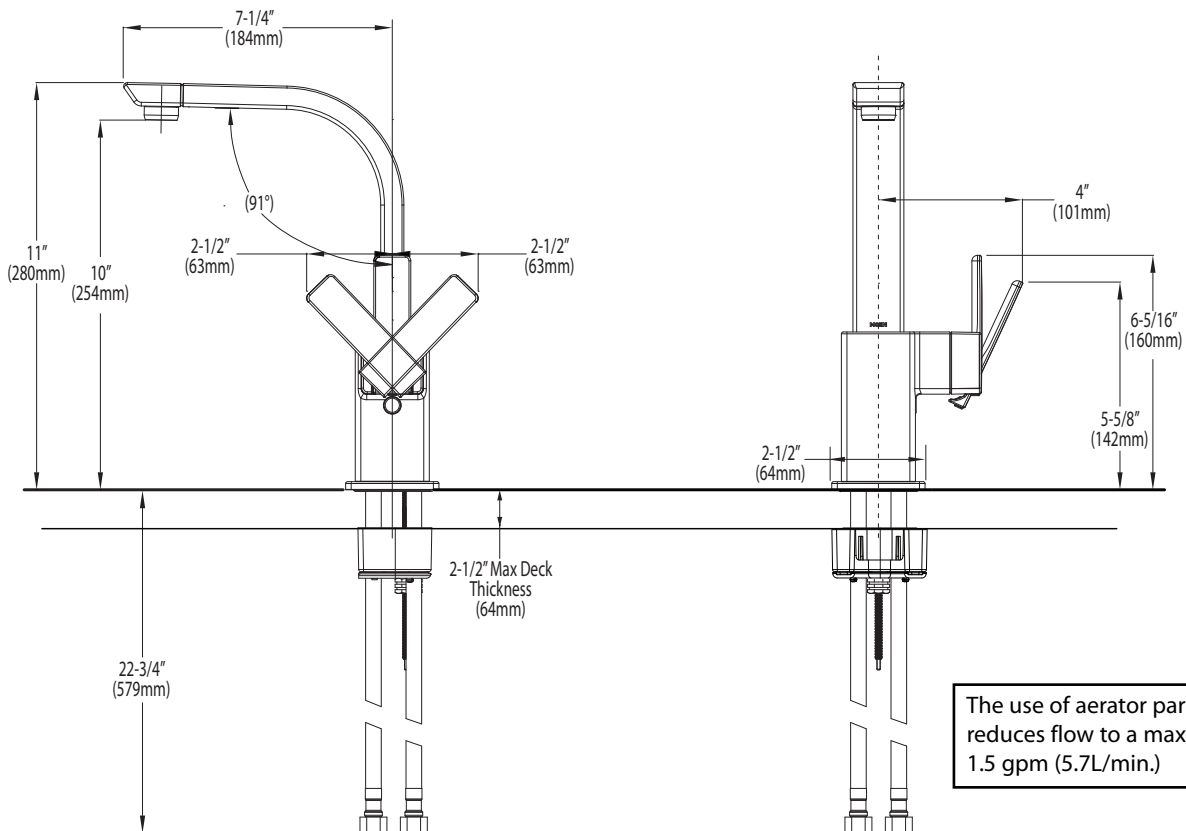
- Lifetime limited warranty against leaks, drips and finish defects to the original consumer purchaser
- 5 year warranty if used in commercial installations



## 90 DEGREE™ Single Handle High Arc Bar/Prep Faucet

Model: S5170 series

**NOTE:** THIS FAUCET IS DESIGNED TO BE INSTALLED THRU 1 HOLE, 1-1/4" (32mm) MIN. DIA.



The use of aerator part 116711 reduces flow to a maximum of 1.5 gpm (5.7L/min.)

## CRITICAL DIMENSIONS

(DO NOT SCALE)