



Buy it for looks. Buy it for life.®

# Specifications

## FAUCET DESCRIPTION

- Metal construction with various finishes identified by suffix
- Supplied with goose neck spout
- Flexible supplies with 3/8" compression fittings

## OPERATION

- Lever style handle
- Temperature controlled by 100° arc of handle travel
- Operates with less than 5 lbs. of force


## FLOW

- Spout flow is limited to 1.5 gpm max (5.7L/min) at 60 psi

## CARTRIDGE

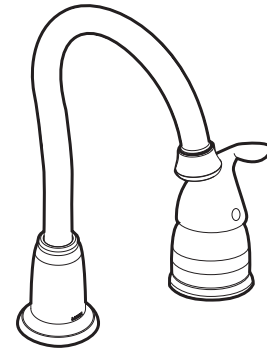
- 1255™ Duralast™ cartridge

## STANDARDS

- Third party certified to IAPMO Green, ASME A112.18.1/CSA B125.1 and all applicable requirements referenced therein including NSF 61/9
- Meets Calgreen and Georgia SB370 requirements
- Contains no more than 0.25% weighted average lead content
- Complies with California Proposition 65 and with the Federal Safe Water Drinking Act
- **ADA**  for lever handle

## WARRANTY

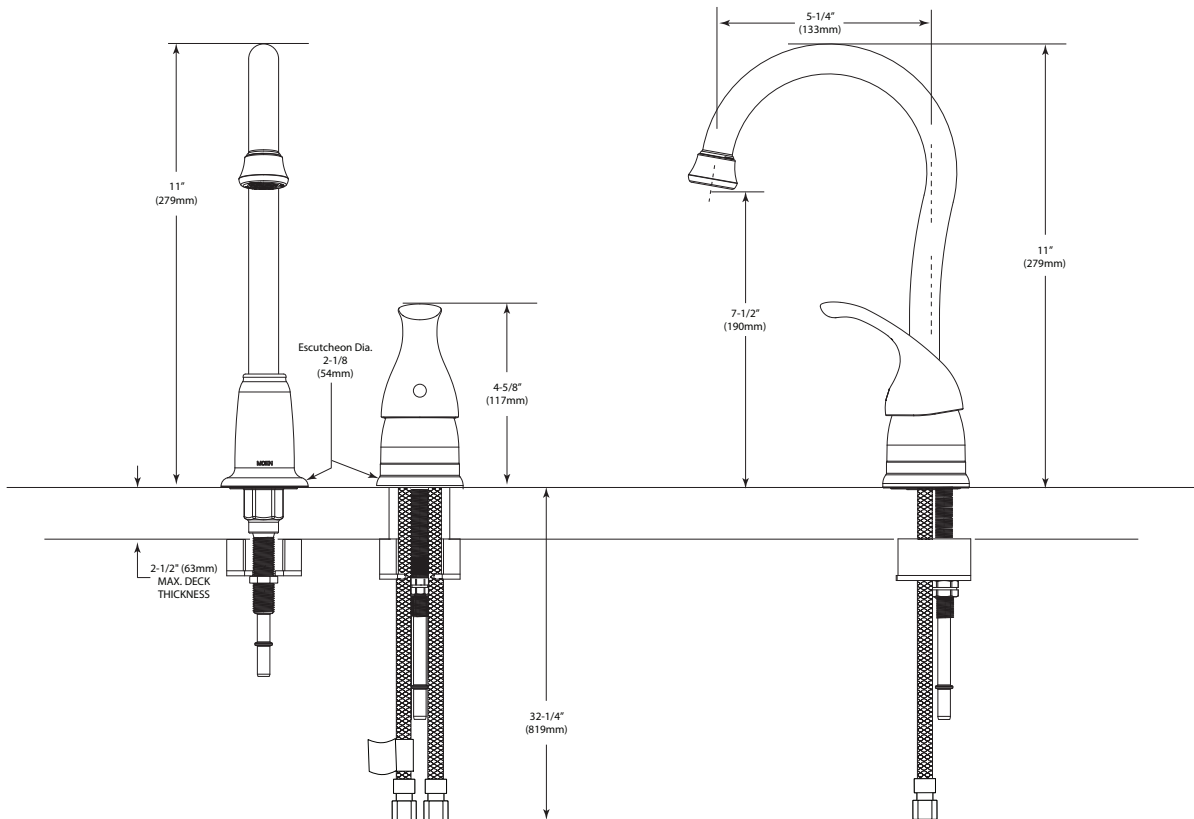
- Lifetime limited warranty against leaks, drips and finish defects to the original consumer purchaser
- 5 year warranty if used in commercial installations



## Camerist™ Single Handle Lever Bar Faucet

**Models:** 4905 series

**NOTE:** DESIGNED TO INSTALL  
THRU 2 HOLES 1-1/4" (32mm) MIN. DIA.  
AND 4" (102mm) ON CENTER



## CRITICAL DIMENSIONS

(DO NOT SCALE)