



Buy it for looks. Buy it for life.®

# Specifications

## DESCRIPTION

- Metal construction
- 1/2" copper connections
- Designed to be installed through 3 holes, 1-3/8" dia., 8" on center
- Built in 1-1/2" of adjustability
- Adaptable for non-8" centers

## OPERATION

- Maximum handle rotation angle is 90° to full on for either handle
- Rotate hot side handle counterclockwise to open and clockwise to close
- Rotate cold side handle clockwise to open and counterclockwise to close

## CARTRIDGE

- 1224 cartridge design with nonmetallic/nonferrous and stainless steel materials

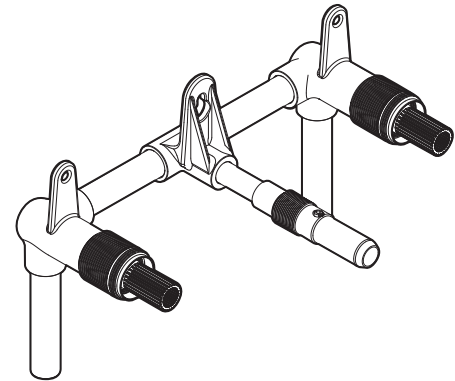
## STANDARDS

When trim kit is added to M-Pact valve, the product is:

- Third party certified to meet ASME A112.18.1/CSA B125.1 and all applicable requirements referenced therein including NSF61/9
- Contains no more than 0.25% weighted average lead content
- Complies with California Proposition 65 and with the Federal Safe Drinking Water Act

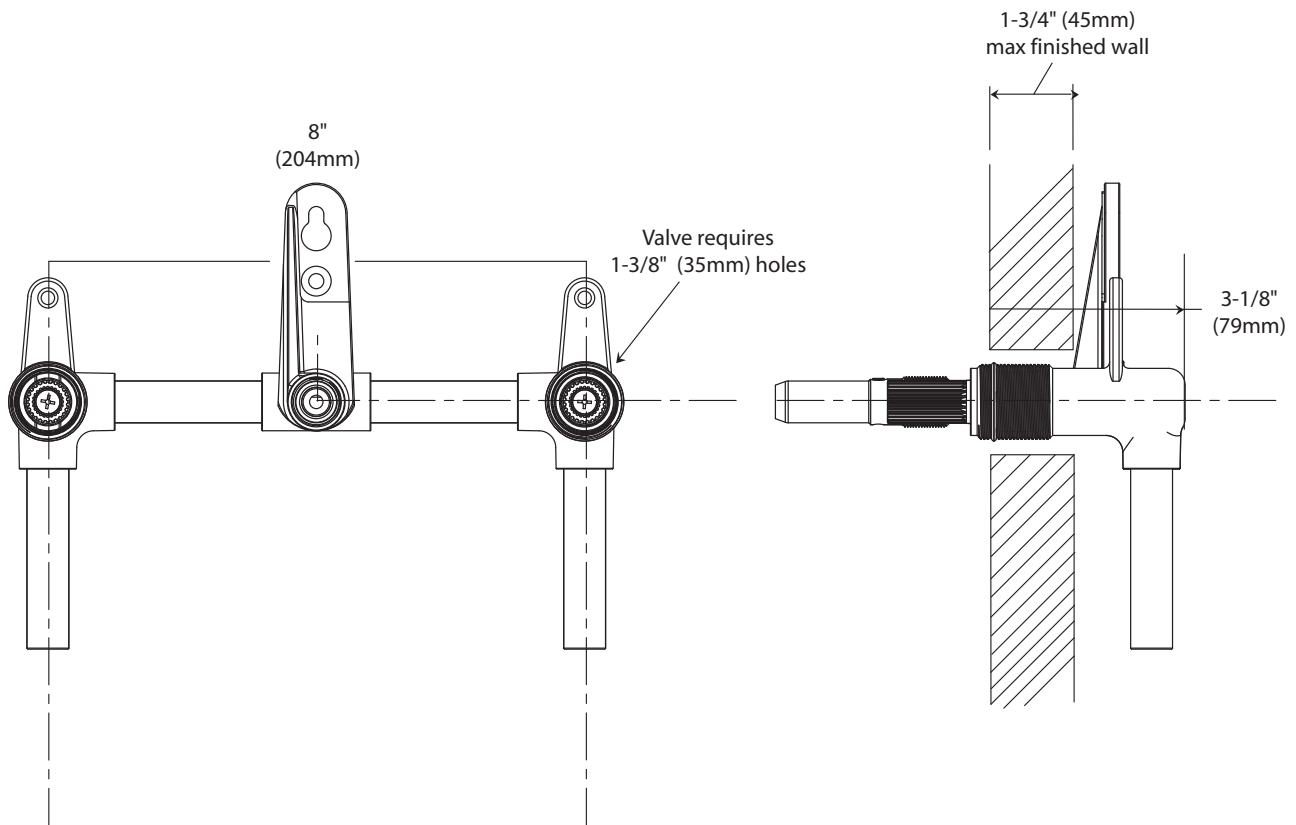
## WARRANTY

- Lifetime limited warranty against leaks, drips and finish defects to the original consumer purchaser
- 5 year warranty if used in commercial installations



**M-Pact™  
Two-Handle Wall Mount Valve & Bracket**

**Model: 9700**



## CRITICAL DIMENSIONS

(DO NOT SCALE)

FOR MORE INFORMATION CALL: 1-800-BUY-MOEN

[www.moen.com](http://www.moen.com)