



Buy it for looks. Buy it for life.®

*There is more than 1 version of this model.  
Page down to identify the version you have.*

**DESCRIPTION**

- Metal construction with various finishes identified by suffix
- 1/2" IPS connections
- Includes metal or 50/50 pop-up type waste assembly where noted

**OPERATION**

- Pivot action lever style handle
- Temperature controlled through 100° degree arc of handle travel

**FLOW**


- Flow is limited to 1.5 gpm max (5.7L/min) at 60 psi

**CARTRIDGE**

- 1255™ Duralast™ cartridge
- Nonmetallic/nonferrous and stainless steel material

**STANDARDS**

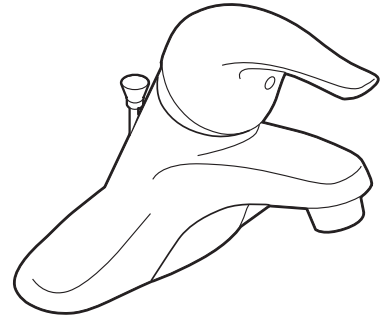
- Third party certified to WaterSense,® CSA B125.1, ASME A112.18.1 and all applicable requirements referenced therein including NSF61/9
- Contains no more than 0.25% weighted average lead content
- Complies with California Proposition 65 and with the Federal Safe Drinking Water Act

- **ADA**  for lever handles

**WARRANTY**

- Lifetime limited warranty against leaks, drips and finish defects to the original consumer purchaser
- 5 year warranty if used in commercial installations

# Specifications



## CHATEAU® Single-Handle Lavatory Faucet

with Metal Waste Assembly  
**Models:** L4621 series

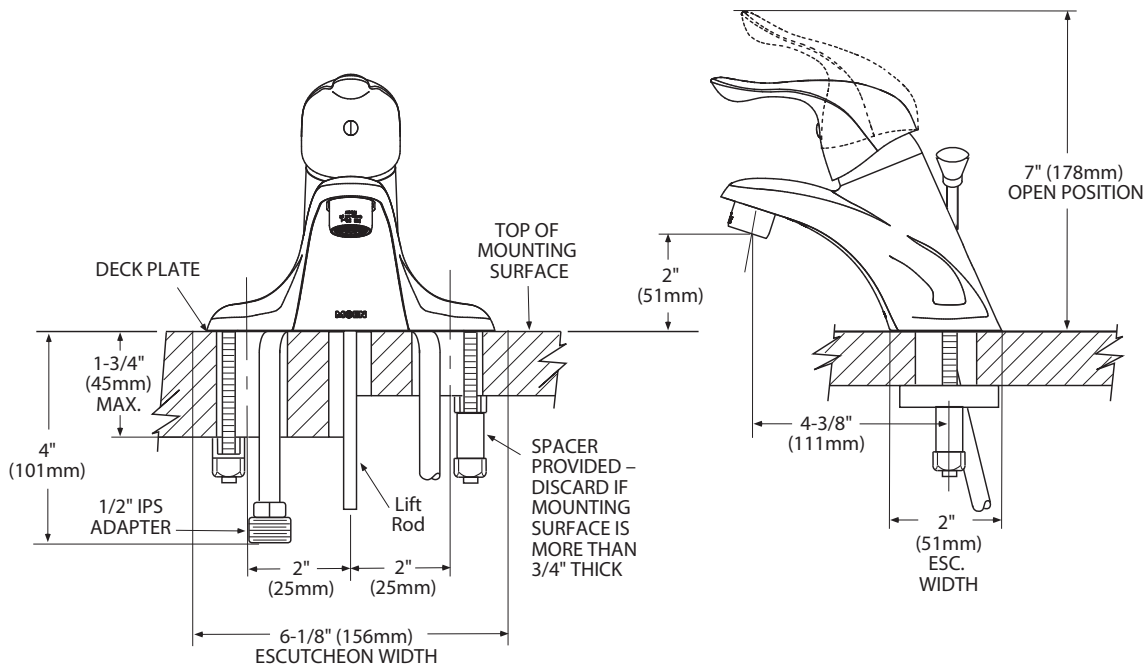
**Bulk Pack Models (12 Per Carton):**  
L64620 series

with 50/50 Waste Assembly  
**Bulk Pack Model (12 Per Carton):** L64621 series

Less Waste  
**Model:** L4601 series

**Bulk Pack Model (12 Per Carton):**  
L64601 series

**NOTE:** THIS FAUCET IS DESIGNED TO BE  
INSTALLED THRU 3-1" DIA. HOLES, 2" ON CENTER



### CRITICAL DIMENSIONS

(DO NOT SCALE)



Buy it for looks. Buy it for life.®

# Specifications

## DESCRIPTION

- Metal construction with various finishes identified by suffix
- 1/2" IPS connections
- Includes metal or 50/50 pop-up type waste assembly where noted

## OPERATION

- Pivot action lever style handle
- Temperature controlled through 100° degree arc of handle travel

## FLOW


- Flow is limited to 1.5 gpm max (5.7L/min) at 60 psi

## CARTRIDGE

- 1225 cartridge design
- Nonmetallic/nonferrous and stainless steel material
- Can accommodate reversed piping and back to back installations

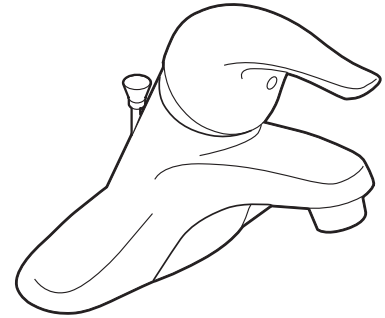
## STANDARDS

- Third party certified to WaterSense,® CSA B125.1, ASME A112.18.1 and all applicable requirements referenced therein including NSF61/9
- Complies with California Proposition 65 and with the Federal Safe Drinking Water Act

- **ADA**  for lever handles

## WARRANTY

- Lifetime limited warranty against leaks, drips and finish defects to the original consumer purchaser
- 5 year warranty if used in commercial installations



## CHATEAU® Single-Handle Lavatory Faucet

with Metal Waste Assembly  
Models: L4621 series

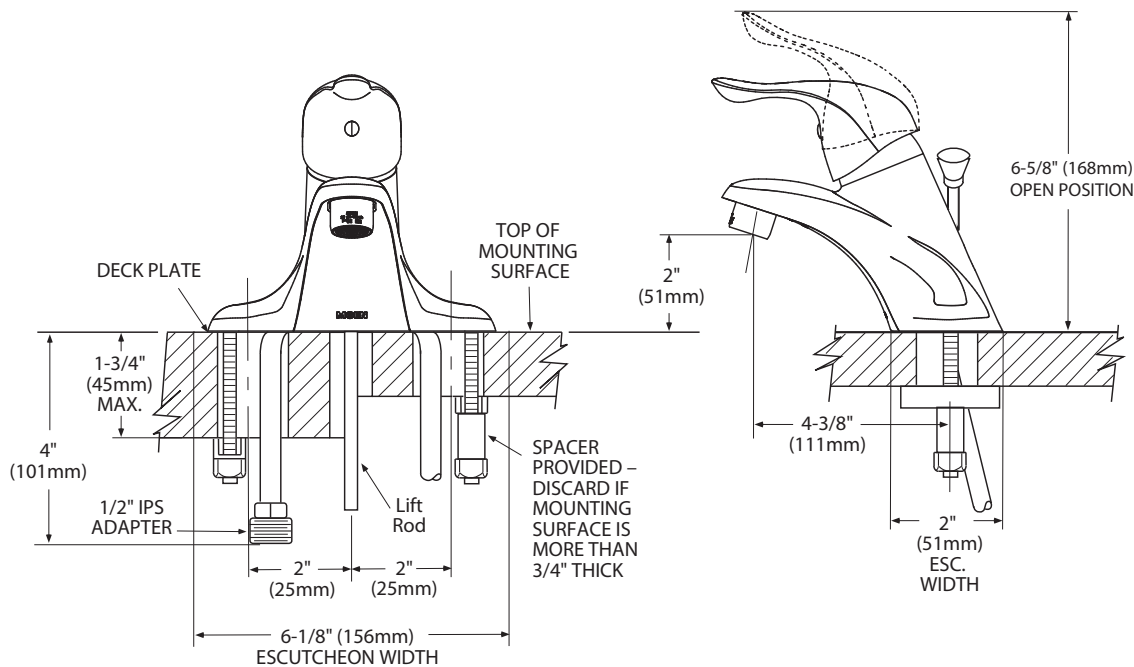
**Bulk Pack Models (12 Per Carton):**  
L64620 series

with 50/50 Waste Assembly  
**Bulk Pack Model (12 Per Carton):** L64621 series

Less Waste  
Model: L4601 series

**Bulk Pack Model (12 Per Carton):**  
L64601 series

**NOTE:** THIS FAUCET IS DESIGNED TO BE  
INSTALLED THRU 3-1" DIA. HOLES, 2" ON CENTER



## CRITICAL DIMENSIONS

(DO NOT SCALE)